



Dealers Industrial Equipment

No.:

Date: 23-SEP-2016

Customer :

TECHNICAL PROPOSAL

Three-phase induction motor - Squirrel cage rotor

Product line : W22 Oil Well Pumping : High Slip - NEMA Design "D" - TEFC (IP55)

Catalog Number : 02009ES3EOW326T-W22

List Price : \$4,872

Notes:

Downloaded from <http://dealerselectric.com>

Generated for Model #02009ES3EOW326T-W22

Performed by:

Checked:



Dealers Industrial Equipment

No.:

Date: 23-SEP-2016

DATA SHEET Three-phase induction motor - Squirrel cage rotor

Customer :
 Product line : W22 Oil Well Pumping : High Slip - NEMA Design "D" - TEFC (IP55)

Frame : 324/6T
 Output : 20 HP
 Frequency : 60 Hz
 Poles : 8
 Full load speed : 840 rpm
 Slip : 6.67 %
 Voltage : 208-230/460 V
 Rated current : 59.4-59.6/29.8 A
 Locked rotor current : 292/146 A
 Locked rotor current (I_L/I_n) : 4.9
 No-load current : 32.0/16.0 A
 Full load torque : 123 lb.ft
 Locked rotor torque : 280 %
 Breakdown torque : 0 %
 Design : D
 Insulation class : F
 Temperature rise : 80 K
 Locked rotor time : 18 s (hot)
 Service factor : 1.15
 Duty cycle : S1
 Ambient temperature : -20°C - +40°C
 Altitude : 1000 m
 Degree of Protection : IP55
 Approximate weight : 569 lb
 Moment of inertia : 11.726 sq.ft.lb
 Noise level : 56 dB(A)

	D.E.	N.D.E.	Load	Power factor	Efficiency (%)
Bearings	6312 C3	6212 C3	100%	0.74	85.5
Regreasing interval	20000 h	20000 h	75%	0.67	86.5
Grease amount	21 g	13 g	50%	0.54	85.5

Notes:
 Downloaded from <http://dealerselectric.com>
 Generated for Model #02009ES3EOW326T-W22

Performed by

Checked



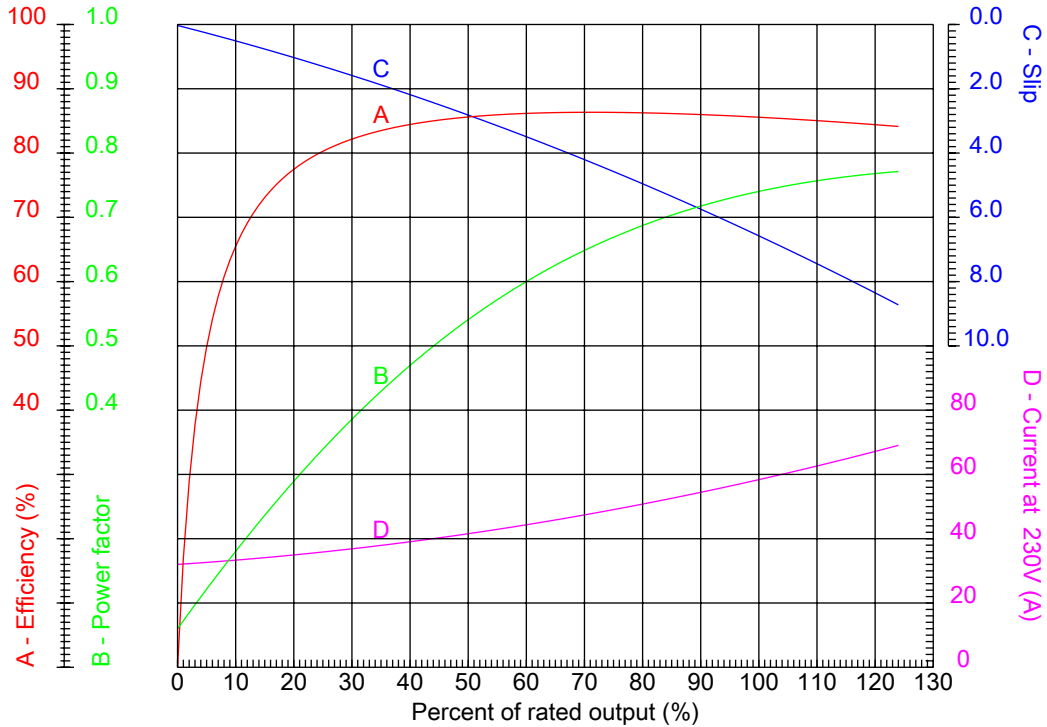
Dealers Industrial Equipment

No.:

Date: 23-SEP-2016

PERFORMANCE CURVES RELATED TO RATED OUTPUT

Three-phase induction motor - Squirrel cage rotor



Customer :
 Product line : W22 Oil Well Pumping : High Slip - NEMA Design "D" - TEFC (IP55)

Frame	: 324/6T	Locked rotor current (I _l /I _n)	: 4.9
Output	: 20 HP	Duty cycle	: S1
Frequency	: 60 Hz	Service factor	: 1.15
Full load speed	: 840 rpm	Design	: D
Voltage	: 208-230/460 V	Locked rotor torque	: 280 %
Rated current	: 59.4-59.6/29.8 A	Breakdown torque	: 0 %
Insulation class	: F		

Notes:
 Downloaded from <http://dealerselectric.com>
 Generated for Model #02009ES3EOW326T-W22

Performed by

Checked



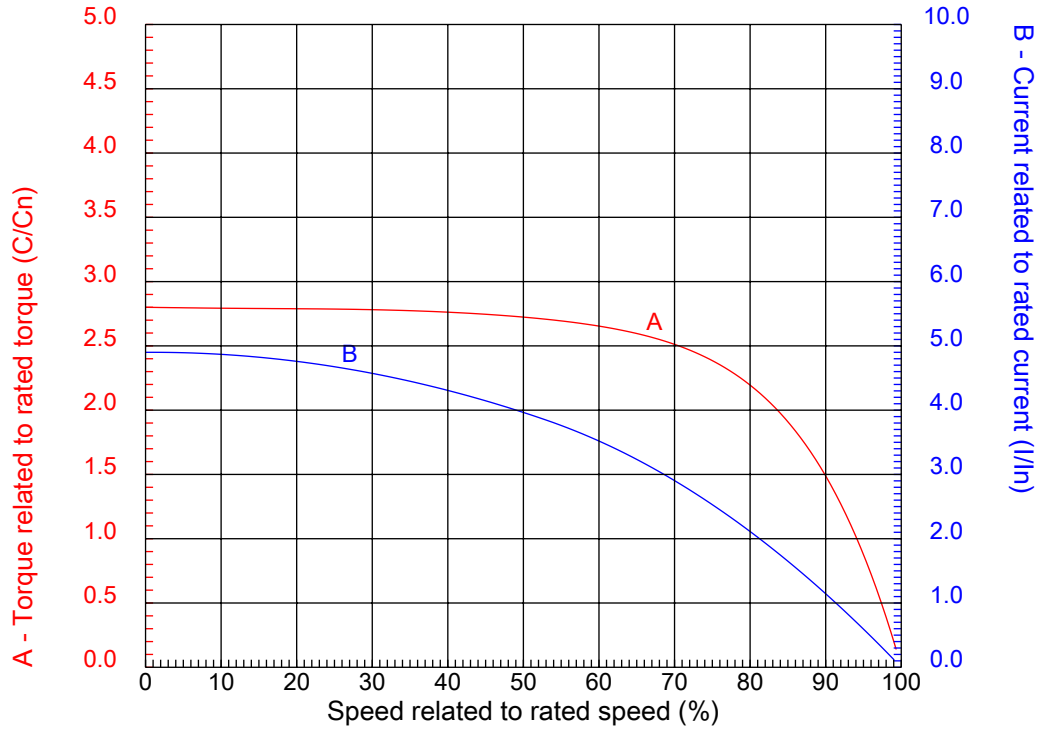
Dealers Industrial Equipment

No.:

Date: 23-SEP-2016

CHARACTERISTIC CURVES RELATED TO SPEED

Three-phase induction motor - Squirrel cage rotor



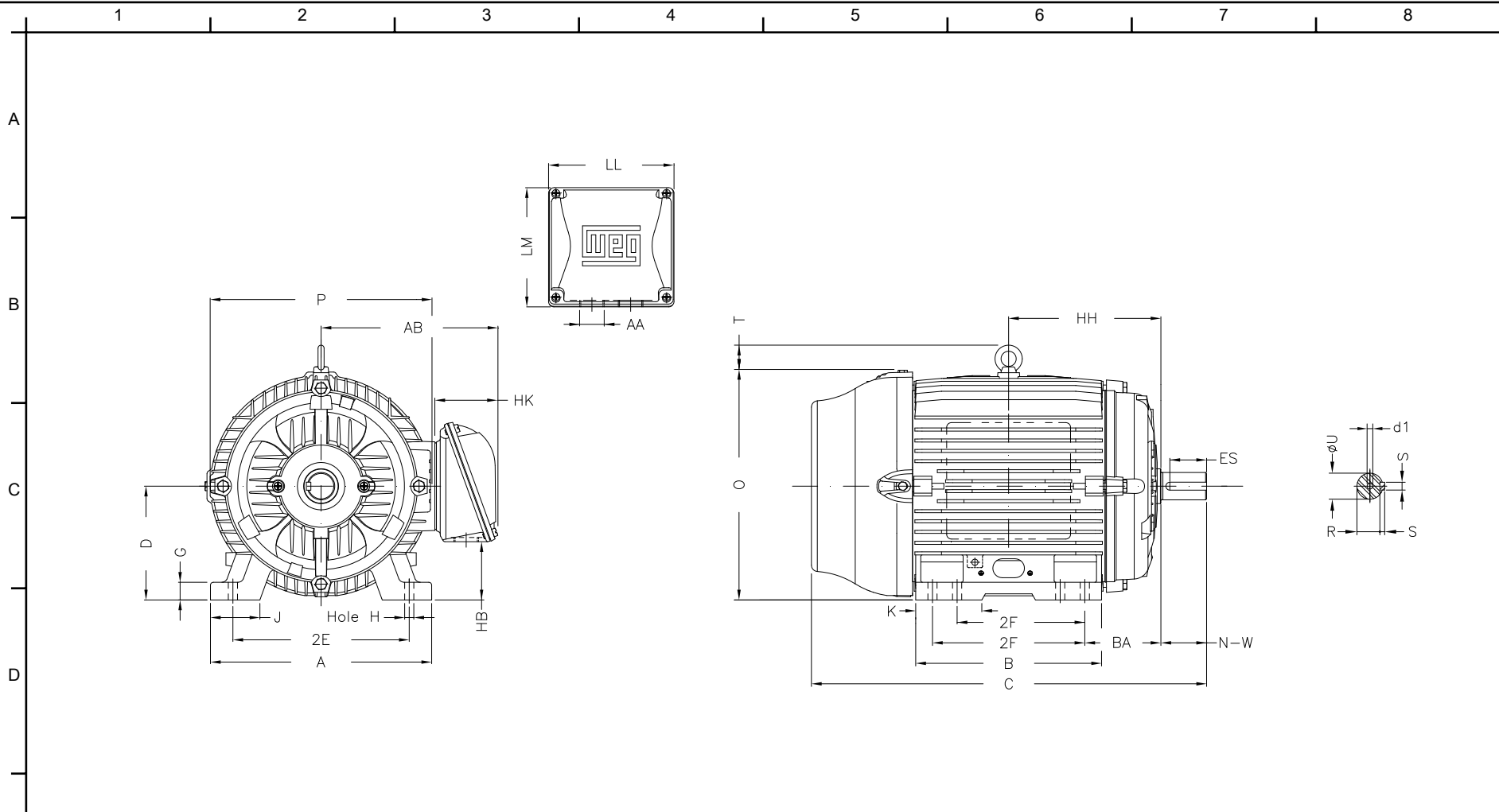
Customer :
 Product line : W22 Oil Well Pumping : High Slip - NEMA Design "D" - TEFC (IP55)

Frame	: 324/6T	Locked rotor current (I _l /I _n)	: 4.9
Output	: 20 HP	Duty cycle	: S1
Frequency	: 60 Hz	Service factor	: 1.15
Full load speed	: 840 rpm	Design	: D
Voltage	: 208-230/460 V	Locked rotor torque	: 280 %
Rated current	: 59.4-59.6/29.8 A	Breakdown torque	: 238 %
Insulation class	: F		

Notes:
 Downloaded from <http://dealerselectric.com>
 Generated for Model #02009ES3EOW326T-W22


Performed by

Checked



Notes: Downloaded from <http://dealerselectric.com>
 Generated for Model #02009ES3EOW326T-W22

2E 12.500	J 3.189	A 15.157	P 15.827	AB 12.575
2F 10.500/12.000	K 4.055	B 14.567	BA 5.250	FBA 8.738
U 2.125	N-W 5.250	ES 3.937	S 0.500	R 1.844
depth 0.500	D 8.000	G 1.300	HB 4.811	O 15.953
T 2.441	HF 8.708	HH 11.250	HK 4.705	H 0.657
C 31.116	FC 38.860	LL 9.055	LM 8.661	AA NPT 2"
d1 A 4	d2 A 4			

Performed by:
 Checked:
 Customer:
 W22 Oil Well Pumping : High Slip - NEMA Design "D" - TEFC (IP55)
 Three-phase induction motor
 Frame 324/6T - IP55
 23-SEP-2016


1 2 3 4 5 6 7 8

A
B
C
D
E
F

LOW VOLTAGE

HIGH VOLTAGE



CONNECTIONS FOR STARTING ONLY:

LOW VOLTAGE

HIGH VOLTAGE



Notes: Downloaded from <http://dealerselectric.com>
Generated for Model #02009ES3EOW326T-W22

Performed by:

Checked:

Customer:

W22 Oil Well Pumping : High Slip - NEMA Design "D" - TEFC (IP55)

Three-phase induction motor
Frame 324/6T - IP55

23-SEP-2016

