



Dealers Industrial Equipment

No.:

Date: 23-SEP-2016

Customer :

TECHNICAL PROPOSAL

Three-phase induction motor - Squirrel cage rotor

Product line : Three-Phase: W22 IE3 IEC Tru-Metric - TEFC (IP55) Cast Iron Frame

Catalog Number : 01836ET3Y160L-W22

List Price : \$2,925

Notes:

Downloaded from <http://dealerselectric.com>

Generated for Model #01836ET3Y160L-W22

Performed by:

Checked:



Dealers Industrial Equipment

No.:

Date: 23-SEP-2016

### DATA SHEET

#### Three-phase induction motor - Squirrel cage rotor

Customer :  
 Product line : Three-Phase: W22 IE3 IEC Tru-Metric - TEFC (IP55) Cast Iron Frame

Frame : 160L  
 Output : 25 HP  
 Frequency : 60 Hz  
 Poles : 2  
 Full load speed : 3550 rpm  
 Slip : 1.39 %  
 Voltage : 460 V  
 Rated current : 29.9 A  
 Locked rotor current : 266 A  
 Locked rotor current (I<sub>L</sub>/I<sub>n</sub>) : 8.9  
 No-load current : 11.5 A  
 Full load torque : 36.5 lb.ft  
 Locked rotor torque : 330 %  
 Breakdown torque : 440 %  
 Design : ---  
 Insulation class : F  
 Temperature rise : 80 K  
 Locked rotor time : 15 s (hot)  
 Service factor : 1.25  
 Duty cycle : S1  
 Ambient temperature : -20°C - +40°C  
 Altitude : 1000 m  
 Degree of Protection : IP55  
 Approximate weight : 300 lb  
 Moment of inertia : 1.3180 sq.ft.lb  
 Noise level : 72 dB(A)

	D.E.	N.D.E.
Bearings	6309 C3	6209 C3
Regreasing interval	19000 h	20000 h
Grease amount	13 g	9 g

Load	Power factor	Efficiency (%)
100%	0.84	92.4
75%	0.80	91.7
50%	0.69	90.2

Notes:  
 Downloaded from <http://dealerselectric.com>  
 Generated for Model #01836ET3Y160L-W22

Performed by

Checked



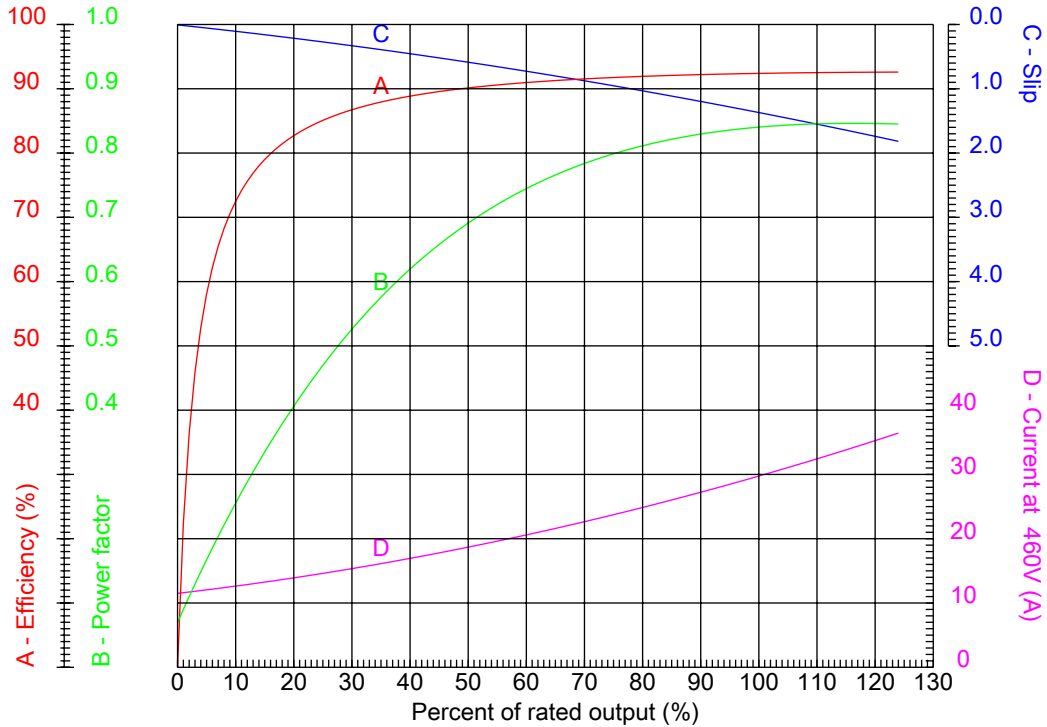
# Dealers Industrial Equipment

No.:

Date: 23-SEP-2016

## PERFORMANCE CURVES RELATED TO RATED OUTPUT

Three-phase induction motor - Squirrel cage rotor



Customer :  
Product line : Three-Phase: W22 IE3 IEC Tru-Metric - TEFC (IP55) Cast Iron Frame

Frame	: 160L	Locked rotor current (I <sub>l</sub> /I <sub>n</sub> )	: 8.9
Output	: 25 HP	Duty cycle	: S1
Frequency	: 60 Hz	Service factor	: 1.25
Full load speed	: 3550 rpm	Design	: ---
Voltage	: 460 V	Locked rotor torque	: 330 %
Rated current	: 29.9 A	Breakdown torque	: 440 %
Insulation class	: F		

Notes:  
Downloaded from <http://dealerselectric.com>  
Generated for Model #01836ET3Y160L-W22

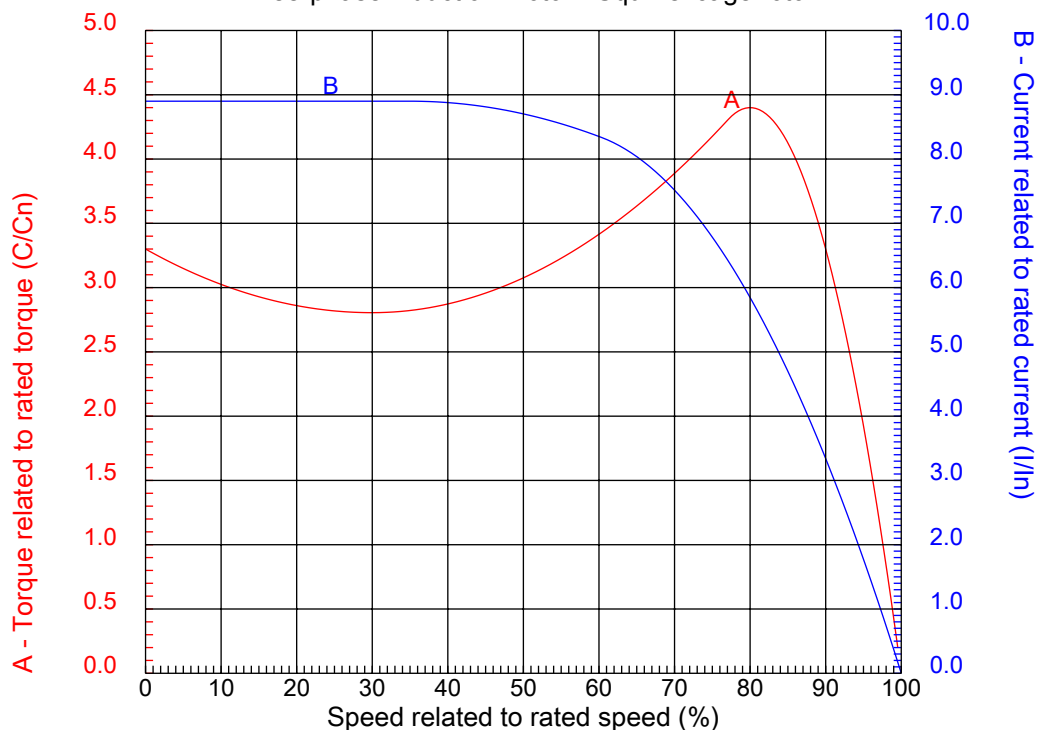
Performed by

Checked



## CHARACTERISTIC CURVES RELATED TO SPEED

Three-phase induction motor - Squirrel cage rotor



Customer :  
Product line : Three-Phase: W22 IE3 IEC Tru-Metric - TEFC (IP55) Cast Iron Frame

Frame	: 160L	Locked rotor current (I <sub>l</sub> /I <sub>n</sub> )	: 8.9
Output	: 25 HP	Duty cycle	: S1
Frequency	: 60 Hz	Service factor	: 1.25
Full load speed	: 3550 rpm	Design	: ---
Voltage	: 460 V	Locked rotor torque	: 330 %
Rated current	: 29.9 A	Breakdown torque	: 440 %
Insulation class	: F		

Notes:  
Downloaded from <http://dealerselectric.com>  
Generated for Model #01836ET3Y160L-W22

Performed by

Checked

1 2 3 4 5 6 7 8

A

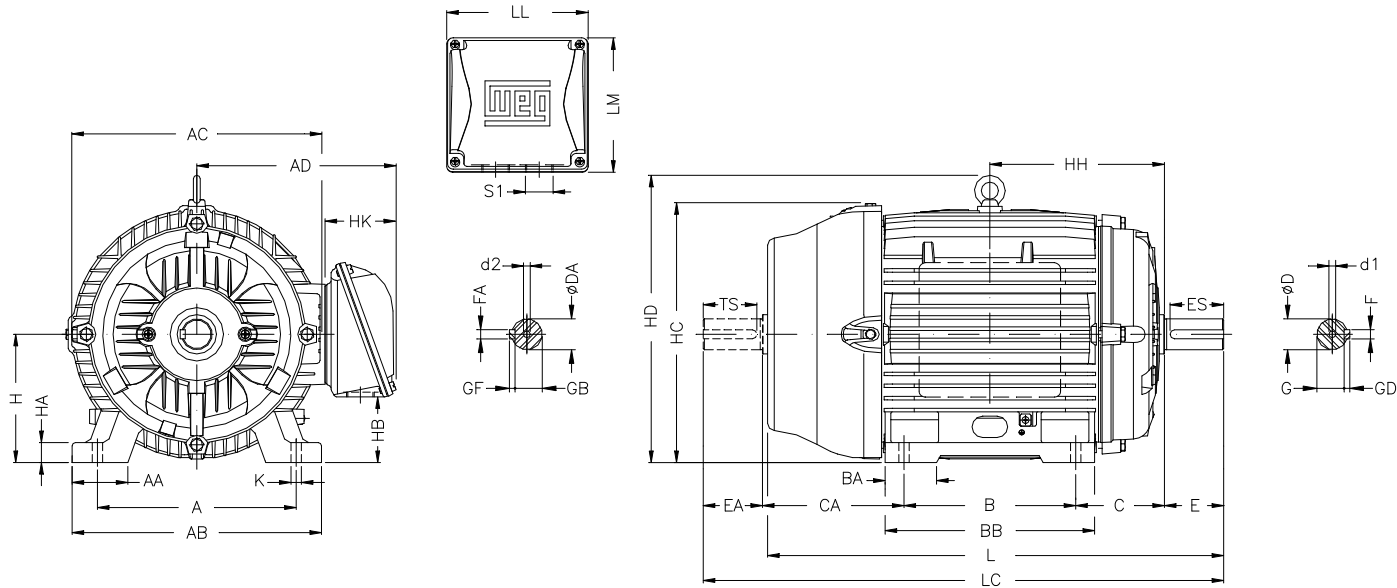
B

C

D

E

F



Notes: Downloaded from <http://dealerselectric.com>  
Generated for Model #01836ET3Y160L-W22

A 254	AA 64	AB 308	AC 329	AD 266
B 254	BA 63	BB 298	C 108	CA 174
D 42k6	E 110	ES 80	F 12	G 37
GD 8	DA 42k6	EA 110	TS 80	FA 12
GB 37	GF 8	H 160	HA 22	HC 331
HD 374	K 14.5	L 642	LC 756	S1 2xM40x1,5
d1 DM16	d2 DM16			

Performed by:

Checked:

Customer:

Three-Phase: W22 IE3 IEC Tru-Metric - TEFC (IP55) Cast Iron Frame

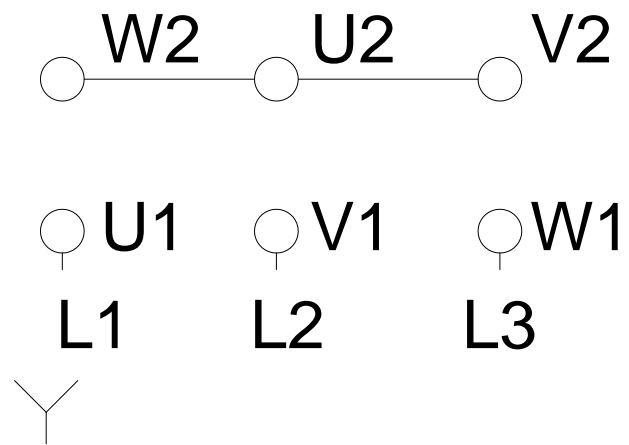
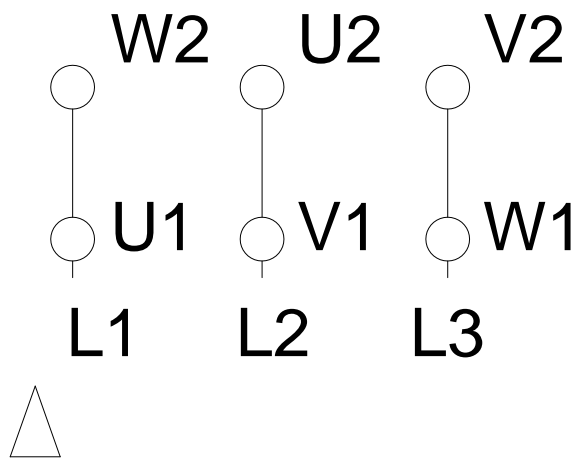
Three-phase induction motor  
Frame 160L - IP55

23-SEP-2016



# LOW VOLTAGE

# HIGH VOLTAGE



Notes: Downloaded from <http://dealerselectric.com>  
Generated for Model #01836ET3Y160L-W22

Performed by:

Checked:

Customer:

Three-Phase: W22 IE3 IEC Tru-Metric - TEFC (IP55) Cast Iron Frame

Three-phase induction motor  
Frame 160L - IP55

23-SEP-2016

