



Dealers Industrial Equipment

No.:

Date: 23-SEP-2016

Customer :

TECHNICAL PROPOSAL

Three-phase induction motor - Squirrel cage rotor

Product line : Three-Phase: W22 IE2 IEC Tru-Metric - TEFC (IP55) Cast Iron Frame

Catalog Number : 01809EP3Y225S/M-W22

List Price : \$5,270

Notes:

Downloaded from <http://dealerselectric.com>

Generated for Model #01809EP3Y225S/M-W22

Performed by:

Checked:



# Dealers Industrial Equipment

No.:

Date: 23-SEP-2016

## DATA SHEET

### Three-phase induction motor - Squirrel cage rotor

Customer :  
 Product line : Three-Phase: W22 IE2 IEC Tru-Metric - TEFC (IP55) Cast Iron Frame

Frame : 225S/M  
 Output : 25 HP  
 Frequency : 60 Hz  
 Poles : 8  
 Full load speed : 885 rpm  
 Slip : 1.67 %  
 Voltage : 460 V  
 Rated current : 31.0 A  
 Locked rotor current : 217 A  
 Locked rotor current (I<sub>L</sub>/I<sub>n</sub>) : 7.0  
 No-load current : 14.9 A  
 Full load torque : 146 lb.ft  
 Locked rotor torque : 270 %  
 Breakdown torque : 270 %  
 Design : ---  
 Insulation class : F  
 Temperature rise : 80 K  
 Locked rotor time : 17 s (hot)  
 Service factor : 1.15  
 Duty cycle : S1  
 Ambient temperature : -20°C - +40°C  
 Altitude : 1000 m  
 Degree of Protection : IP55  
 Approximate weight : 747 lb  
 Moment of inertia : 19.762 sq.ft.lb  
 Noise level : 60 dB(A)

	D.E.	N.D.E.	Load	Power factor	Efficiency (%)
Bearings	6314 C3	6314 C3	100%	0.81	92.4
Regreasing interval	20000 h	20000 h	75%	0.75	92.4
Grease amount	27 g	27 g	50%	0.62	91.0

Notes:  
 Downloaded from <http://dealerselectric.com>  
 Generated for Model #01809EP3Y225S/M-W22

Performed by

Checked



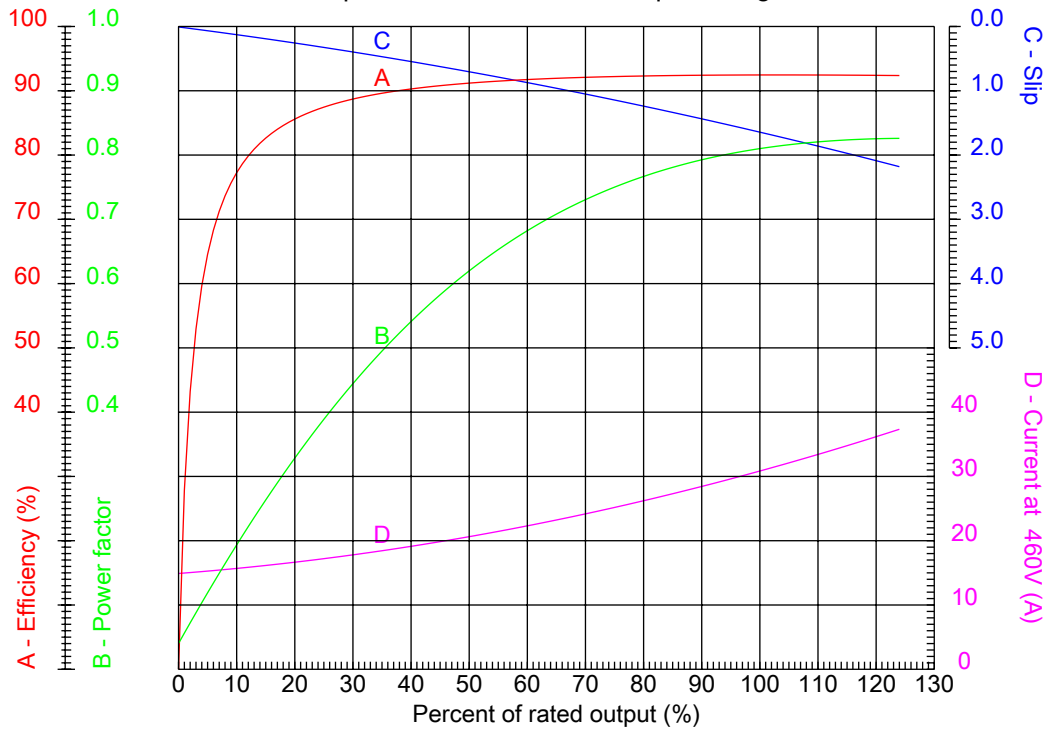
# Dealers Industrial Equipment

No.:

Date: 23-SEP-2016

## PERFORMANCE CURVES RELATED TO RATED OUTPUT

Three-phase induction motor - Squirrel cage rotor



Customer :  
Product line : Three-Phase: W22 IE2 IEC Tru-Metric - TEFC (IP55) Cast Iron Frame

Frame	: 225S/M	Locked rotor current (I <sub>l</sub> /I <sub>n</sub> )	: 7.0
Output	: 25 HP	Duty cycle	: S1
Frequency	: 60 Hz	Service factor	: 1.15
Full load speed	: 885 rpm	Design	: ---
Voltage	: 460 V	Locked rotor torque	: 270 %
Rated current	: 31.0 A	Breakdown torque	: 270 %
Insulation class	: F		

Notes:  
Downloaded from <http://dealerselectric.com>  
Generated for Model #01809EP3Y225S/M-W22

Performed by

Checked



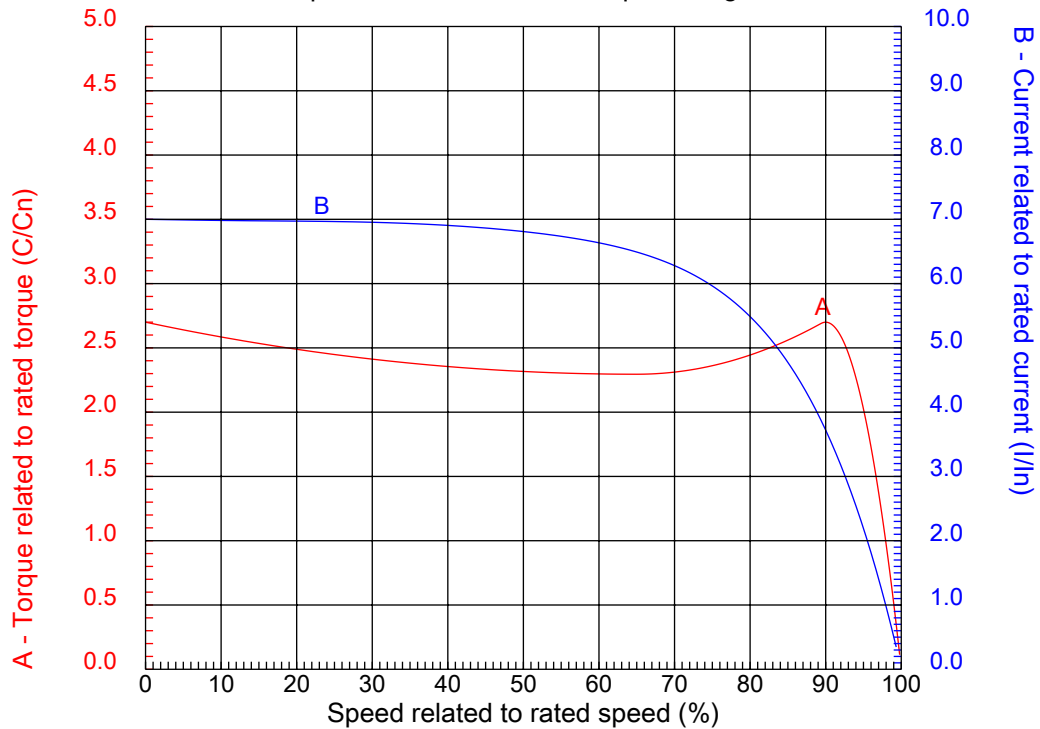
# Dealers Industrial Equipment

No.:

Date: 23-SEP-2016

## CHARACTERISTIC CURVES RELATED TO SPEED

Three-phase induction motor - Squirrel cage rotor



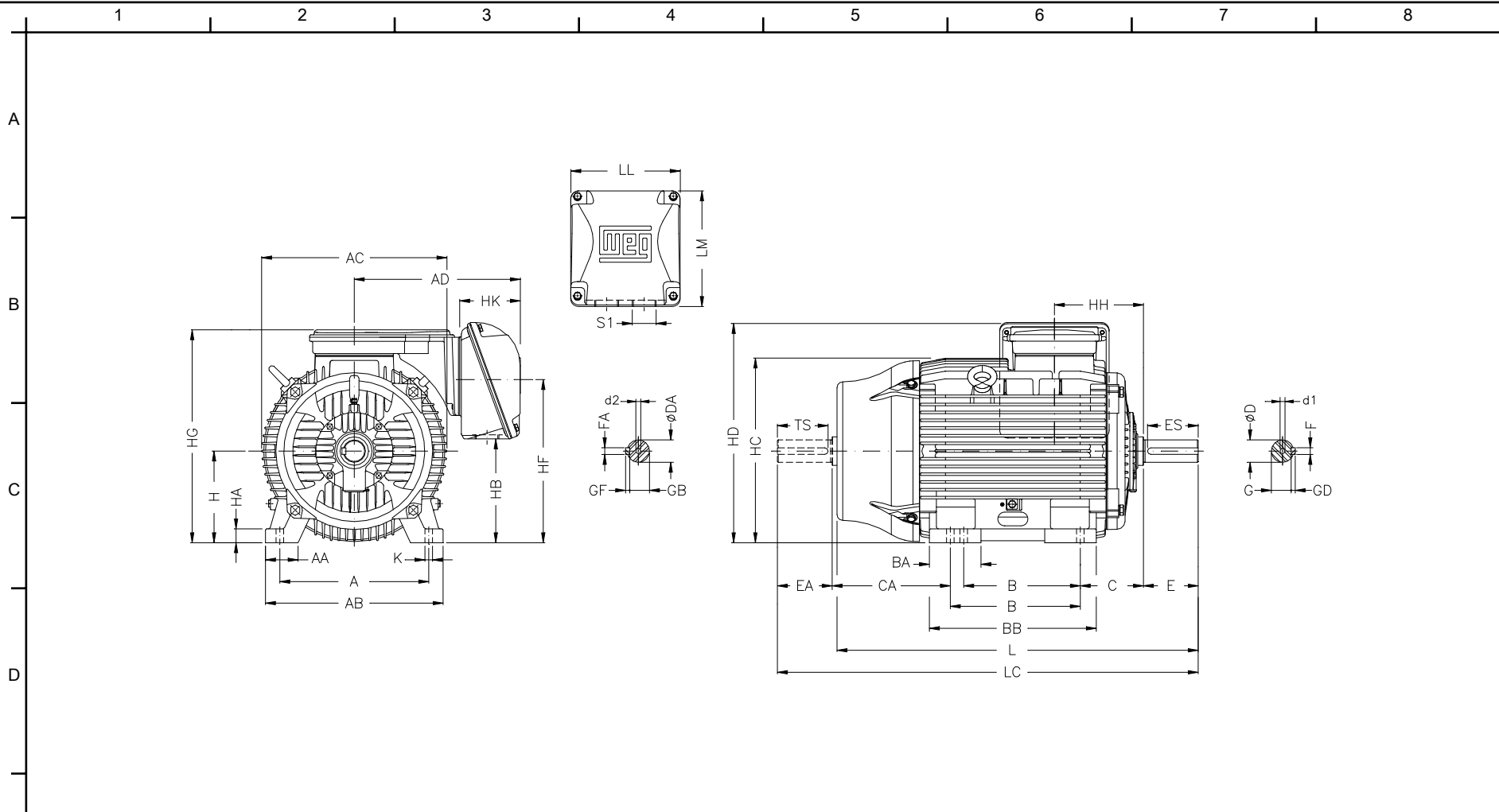
Customer :  
Product line : Three-Phase: W22 IE2 IEC Tru-Metric - TEFC (IP55) Cast Iron Frame

Frame	: 225S/M	Locked rotor current (I <sub>l</sub> /I <sub>n</sub> )	: 7.0
Output	: 25 HP	Duty cycle	: S1
Frequency	: 60 Hz	Service factor	: 1.15
Full load speed	: 885 rpm	Design	: ---
Voltage	: 460 V	Locked rotor torque	: 270 %
Rated current	: 31.0 A	Breakdown torque	: 270 %
Insulation class	: F		

Notes:  
Downloaded from <http://dealerselectric.com>  
Generated for Model #01809EP3Y225S/M-W22

Performed by

Checked



Notes: Downloaded from <http://dealerselectric.com>  
 Generated for Model #01809EP3Y225S/M-W22

E	A 356	AA 80	AB 436	AC 455	AD 410
	B 286/311	BA 124	BB 412	C 149	CA 319/294
	D 60m6	E 140	ES 125	F 18	G 53
	GD 11	DA 60m6	EA 140	TS 125	FA 18
	GB 53	GF 11	H 225	HA 34	HB 254
F	HC 453	HD 541	HF 421	HG 534	HH 212
	HK 153	K 18.5	L 886	LC 1034	LL 269
	LM 285	S1 2xM50x1.5	d1 DM20	d2 DM20	

Performed by:

Checked:

Customer:

Three-Phase: W22 IE2 IEC Tru-Metric - TEFC (IP55) Cast Iron Frame

Three-phase induction motor  
 Frame 225S/M - IP55

23-SEP-2016



1 2 3 4 5 6 7 8

# LOW VOLTAGE

# HIGH VOLTAGE

A  
B  
C  
D  
E  
F



Notes: Downloaded from <a href="http://dealerselectric.com">http://dealerselectric.com</a> Generated for Model #01809EP3Y225S/M-W22		
Performed by:		
Checked:		
Customer:		
Three-Phase: W22 IE2 IEC Tru-Metric - TEFC (IP55) Cast Iron Frame		
Three-phase induction motor Frame 225S/M - IP55	23-SEP-2016	