



Dealers Industrial Equipment

No.:

Date: 23-SEP-2016

Customer :

TECHNICAL PROPOSAL

Three-phase induction motor - Squirrel cage rotor

Product line : Close Coupled Pump: Three-Phase - W01 (Rolled Steel) "JM" Type - ODP -
NEMA Premium Efficiency
Catalog Number : 01536OT3E215JM-S
List Price : \$1,707

Notes:

Downloaded from <http://dealerselectric.com>
Generated for Model #01536OT3E215JM-S

Performed by:

Checked:



Dealers Industrial Equipment

No.:

Date: 23-SEP-2016

DATA SHEET Three-phase induction motor - Squirrel cage rotor

Customer :
 Product line : Close Coupled Pump: Three-Phase - W01 (Rolled Steel) "JM" Type - ODP - NEMA Premium Efficiency

Frame : 213/5JM
 Output : 15 HP
 Frequency : 60 Hz
 Poles : 2
 Full load speed : 3535 rpm
 Slip : 1.81 %
 Voltage : 208-230/460 V
 Rated current : 38.0-34.4/17.2 A
 Locked rotor current : 237/119 A
 Locked rotor current (I_L/I_n) : 6.9
 No-load current : 12.3/6.17 A
 Full load torque : 22.0 lb.ft
 Locked rotor torque : 210 %
 Breakdown torque : 280 %
 Design : B
 Insulation class : F
 Temperature rise : 80 K
 Locked rotor time : 8 s (hot)
 Service factor : 1.15
 Duty cycle : S1
 Ambient temperature : -20°C - +40°C
 Altitude : 1000 m
 Degree of Protection : ODP
 Approximate weight : 131 lb
 Moment of inertia : 0.55125 sq.ft.lb
 Noise level : 66 dB(A)

| | D.E. | N.D.E. | Load | Power factor | Efficiency (%) |
|---------------------|---------|---------|------|--------------|----------------|
| Bearings | 6209 ZZ | 6206 ZZ | 100% | 0.89 | 90.2 |
| Regreasing interval | --- | --- | 75% | 0.86 | 90.2 |
| Grease amount | --- | --- | 50% | 0.77 | 90.2 |

Notes:
 Downloaded from <http://dealerselectric.com>
 Generated for Model #01536OT3E215JM-S

Performed by

Checked



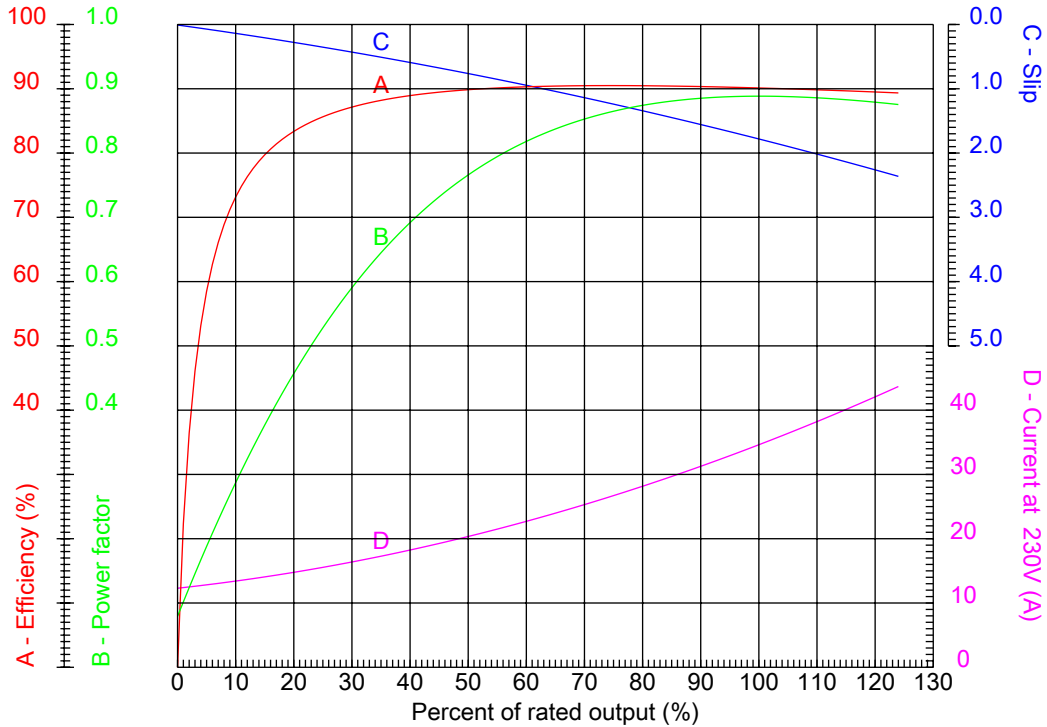
Dealers Industrial Equipment

No.:

Date: 23-SEP-2016

PERFORMANCE CURVES RELATED TO RATED OUTPUT

Three-phase induction motor - Squirrel cage rotor



Customer :
 Product line : Close Coupled Pump: Three-Phase - W01 (Rolled Steel) "JM" Type - ODP - NEMA Premium Efficiency

| | | | |
|------------------|--------------------|--|---------|
| Frame | : 213/5JM | Locked rotor current (I _l /I _n) | : 6.9 |
| Output | : 15 HP | Duty cycle | : S1 |
| Frequency | : 60 Hz | Service factor | : 1.15 |
| Full load speed | : 3535 rpm | Design | : B |
| Voltage | : 208-230/460 V | Locked rotor torque | : 210 % |
| Rated current | : 38.0-34.4/17.2 A | Breakdown torque | : 280 % |
| Insulation class | : F | | |

Notes:
 Downloaded from <http://dealerselectric.com>
 Generated for Model #01536OT3E215JM-S

Performed by

Checked



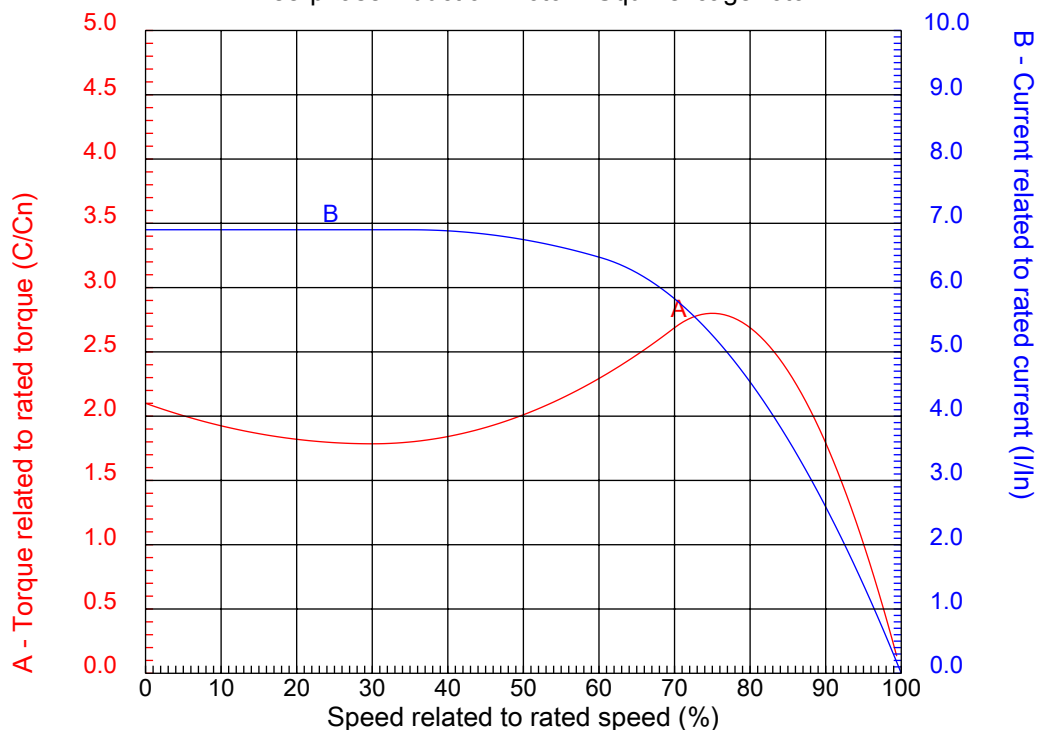
Dealers Industrial Equipment

No.:

Date: 23-SEP-2016

CHARACTERISTIC CURVES RELATED TO SPEED

Three-phase induction motor - Squirrel cage rotor



Customer :
Product line : Close Coupled Pump: Three-Phase - W01 (Rolled Steel) "JM" Type - ODP - NEMA Premium Efficiency

| | | | |
|------------------|--------------------|--|---------|
| Frame | : 213/5JM | Locked rotor current (I _l /I _n) | : 6.9 |
| Output | : 15 HP | Duty cycle | : S1 |
| Frequency | : 60 Hz | Service factor | : 1.15 |
| Full load speed | : 3535 rpm | Design | : B |
| Voltage | : 208-230/460 V | Locked rotor torque | : 210 % |
| Rated current | : 38.0-34.4/17.2 A | Breakdown torque | : 280 % |
| Insulation class | : F | | |

Notes:
Downloaded from <http://dealerselectric.com>
Generated for Model #01536OT3E215JM-S

Performed by

Checked

1 2 3 4 5 6 7 8

A

B

C

D

E

F



Notes: Downloaded from <http://dealerselectric.com>
Generated for Model #01536OT3E215JM-S

| | | | | |
|-------------------|-------------------|------------------|--------------|-------------|
| 2E 8.500 | J 1.575 | A 9.449 | P 9.846 | AB 7.973 |
| 2F 5.500/7.000 | B 7.953 | BA 4.250 | D 5.250 | G 0.167 |
| O 10.144 | T 0.029 | H 0.406 | AA 1.377" | ER 4.258 |
| EQ 0.630 | ET 2.880 | U 0.8745 | EM 1.000 | EL 1.250 |
| EP 1.769 | ES 1.575 | t1 0.748 | t2 1.102 | C 18.898 |
| CH 1.929 | FC 11.417 | Flange FC-184 | AJ 7.250 | AK 8.500 |
| BD 9.401 | BF UNC 1/2"x13 | BB 0.250 | AH 4.258 | |

Performed by:


Checked:

Customer:

Close Coupled Pump: Three-Phase - W01 (Rolled Steel) "JM" Type - ODP -

Three-phase induction motor
Frame 213/5JM - ODP

23-SEP-2016

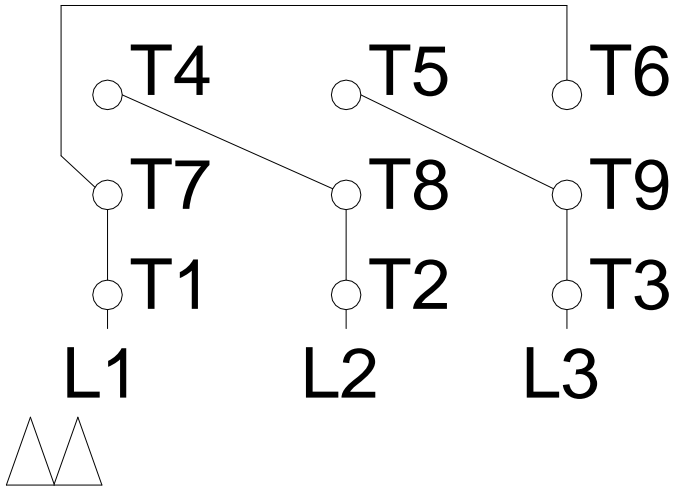


1 2 3 4 5 6 7 8

LOW VOLTAGE

HIGH VOLTAGE

A
B
C
D
E
F



Notes: Downloaded from <http://dealerselectric.com>
 Generated for Model #01536OT3E215JM-S

Performed by:

Checked:

Customer:

Close Coupled Pump: Three-Phase - W01 (Rolled Steel) "JM" Type - ODP -

Three-phase induction motor
 Frame 213/5JM - IP21

23-SEP-2016

