



Dealers Industrial Equipment

No.:

Date: 23-SEP-2016

Customer :

TECHNICAL PROPOSAL

Three-phase induction motor - Squirrel cage rotor

Product line : Close Coupled Pump : Three-Phase - "JP" Type - ODP - High Efficiency - Vertical Motors

Catalog Number : 01536OP3H215JPV

List Price : \$1,617

Notes:

Downloaded from <http://dealerselectric.com>

Generated for Model #01536OP3H215JPV

Performed by:

Checked:



Dealers Industrial Equipment

No.:

Date: 23-SEP-2016

DATA SHEET Three-phase induction motor - Squirrel cage rotor

Customer :
 Product line : Close Coupled Pump : Three-Phase - "JP" Type - ODP - High Efficiency - Vertical Motors

Frame : 213/5JP
 Output : 15 HP
 Frequency : 60 Hz
 Poles : 2
 Full load speed : 3500 rpm
 Slip : 2.78 %
 Voltage : 575 V
 Rated current : 14.0 A
 Locked rotor current : 86.8 A
 Locked rotor current (I_L/I_n) : 6.2
 No-load current : 4.56 A
 Full load torque : 22.2 lb.ft
 Locked rotor torque : 200 %
 Breakdown torque : 290 %
 Design : B
 Insulation class : F
 Temperature rise : 80 K
 Locked rotor time : 12 s (hot)
 Service factor : 1.15
 Duty cycle : S1
 Ambient temperature : -20°C - +40°C
 Altitude : 1000 m
 Degree of Protection : IP21
 Approximate weight : 134 lb
 Moment of inertia : 0.57664 sq.ft.lb
 Noise level : ---

| | D.E. | N.D.E. | Load | Power factor | Efficiency (%) |
|---------------------|---------|---------|------|--------------|----------------|
| Bearings | 6209 ZZ | 6206 ZZ | 100% | 0.88 | 89.5 |
| Regreasing interval | --- | --- | 75% | 0.86 | 89.5 |
| Grease amount | --- | --- | 50% | 0.77 | 88.5 |

Notes:
 Downloaded from <http://dealerselectric.com>
 Generated for Model #01536OP3H215JPV

Performed by

Checked



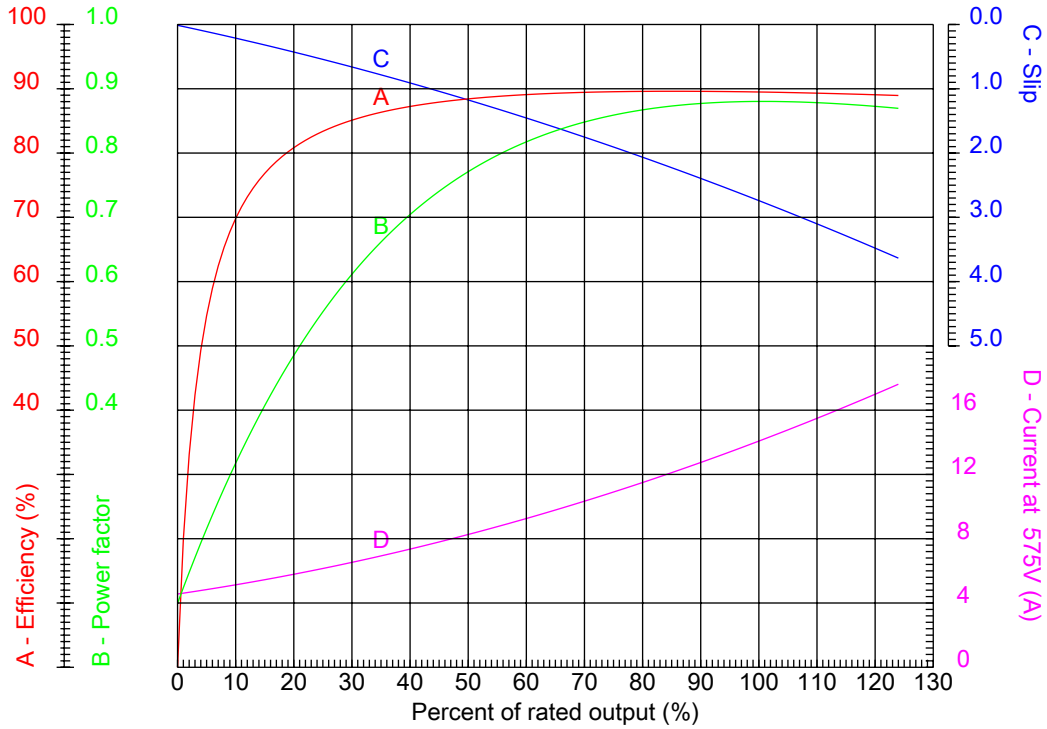
Dealers Industrial Equipment

No.:

Date: 23-SEP-2016

PERFORMANCE CURVES RELATED TO RATED OUTPUT

Three-phase induction motor - Squirrel cage rotor



Customer :
 Product line : Close Coupled Pump : Three-Phase - "JP" Type - ODP - High Efficiency - Vertical Motors

| | | | |
|------------------|------------|--|---------|
| Frame | : 213/5JP | Locked rotor current (I _l /I _n) | : 6.2 |
| Output | : 15 HP | Duty cycle | : S1 |
| Frequency | : 60 Hz | Service factor | : 1.15 |
| Full load speed | : 3500 rpm | Design | : B |
| Voltage | : 575 V | Locked rotor torque | : 200 % |
| Rated current | : 14.0 A | Breakdown torque | : 290 % |
| Insulation class | : F | | |

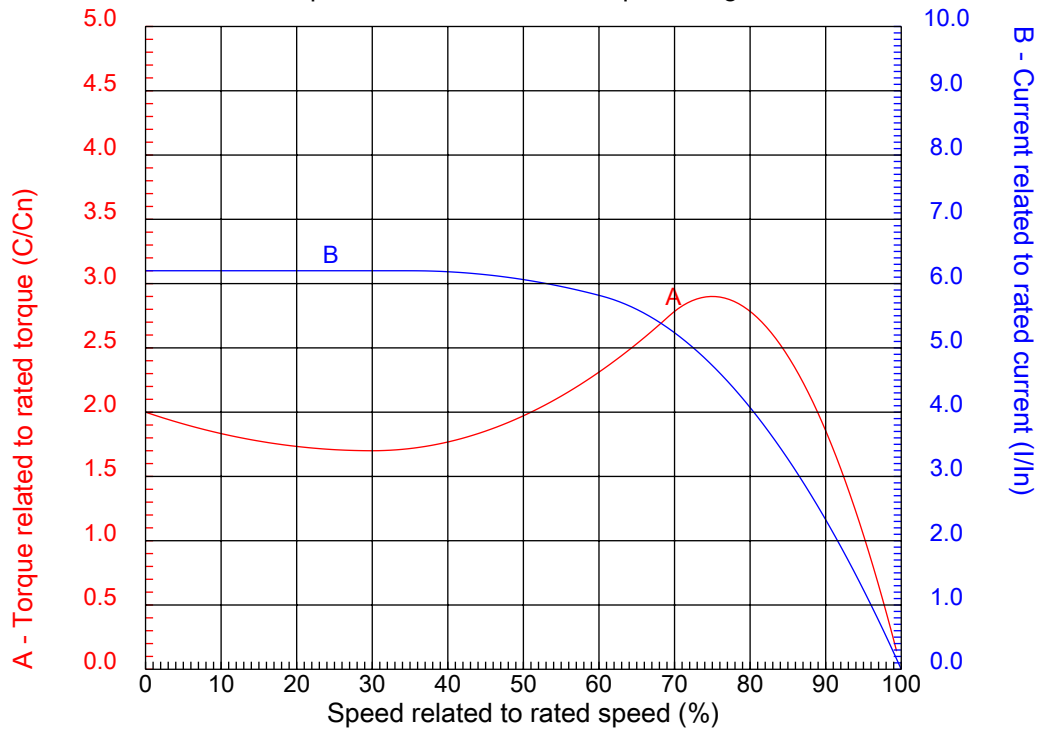
Notes:
 Downloaded from <http://dealerselectric.com>
 Generated for Model #01536OP3H215JPV

| | |
|--------------|---------|
| Performed by | Checked |
|--------------|---------|



CHARACTERISTIC CURVES RELATED TO SPEED

Three-phase induction motor - Squirrel cage rotor



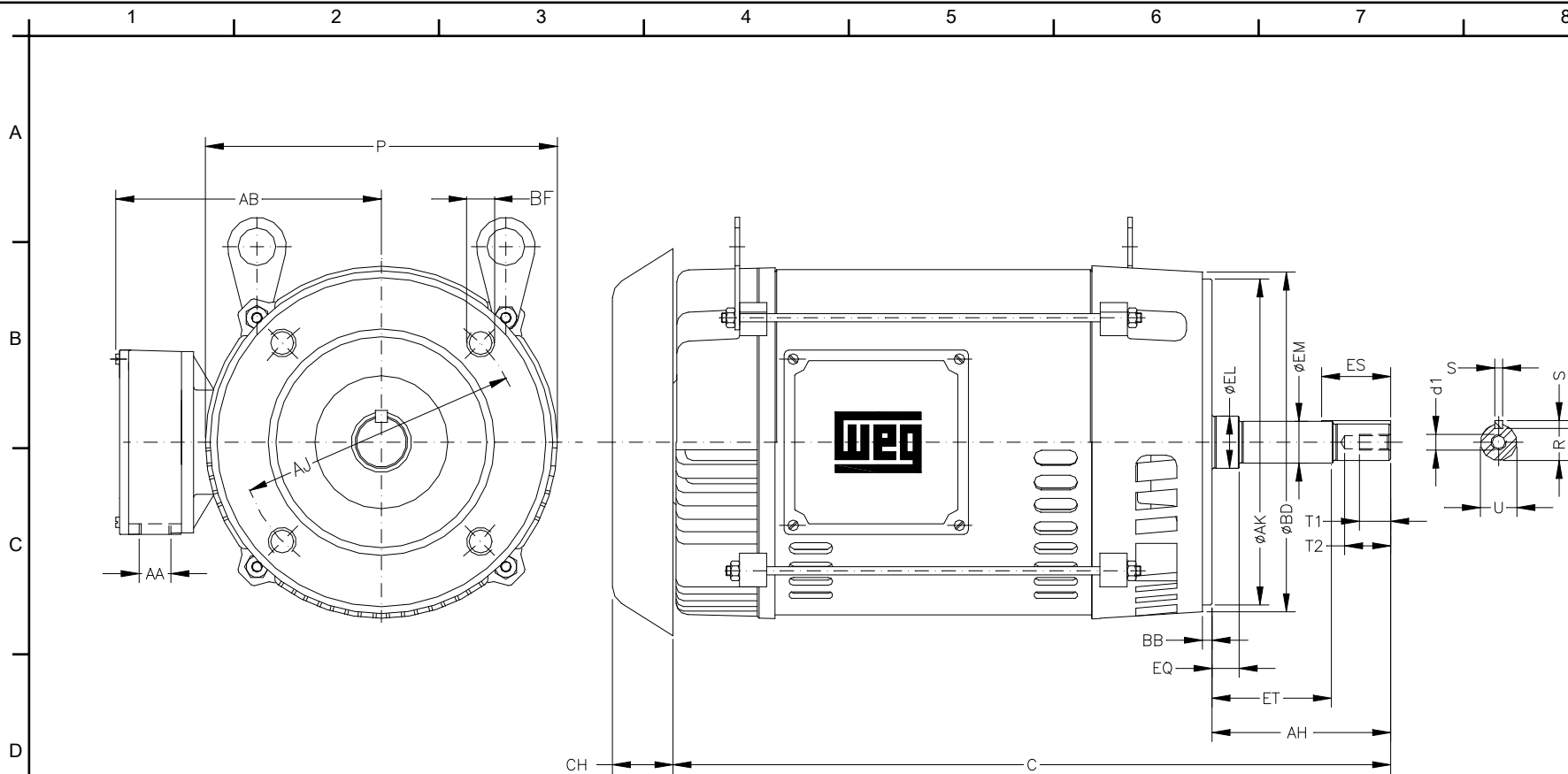
Customer :
Product line : Close Coupled Pump : Three-Phase - "JP" Type - ODP - High Efficiency - Vertical Motors

| | | | |
|------------------|------------|--|---------|
| Frame | : 213/5JP | Locked rotor current (I _l /I _n) | : 6.2 |
| Output | : 15 HP | Duty cycle | : S1 |
| Frequency | : 60 Hz | Service factor | : 1.15 |
| Full load speed | : 3500 rpm | Design | : B |
| Voltage | : 575 V | Locked rotor torque | : 200 % |
| Rated current | : 14.0 A | Breakdown torque | : 290 % |
| Insulation class | : F | | |

Notes:
Downloaded from <http://dealerselectric.com>
Generated for Model #01536OP3H215JPV

Performed by

Checked



Notes: Downloaded from <http://dealerselectric.com>
 Generated for Model #01536OP3H215JPV

Performed by:

Checked:

Customer:

Close Coupled Pump : Three-Phase - "JP" Type - ODP - High Efficiency - Vertical

| | | | | |
|--------|--------------|-------|-------|-------------|
| P | AB | EQ | ET | U |
| 8.779 | 8.149 | 2.374 | 5.905 | 1.250 |
| EM | EL | S | EP | R |
| 1.375 | 1.750 | 0.250 | 1.769 | 1.110 |
| ES | d1 | t1 | t2 | C |
| 2.480 | EUNC 1/2"-13 | 0.984 | 1.496 | 21.240 |
| Flange | AJ | AK | BD | BF |
| FC-184 | 7.250 | 8.500 | 8.858 | UNC 1/2"x13 |
| BB | AH | | | |
| 0.250 | 8.149 | | | |

Three-phase induction motor
 Frame 213/5JP - IP21

23-SEP-2016

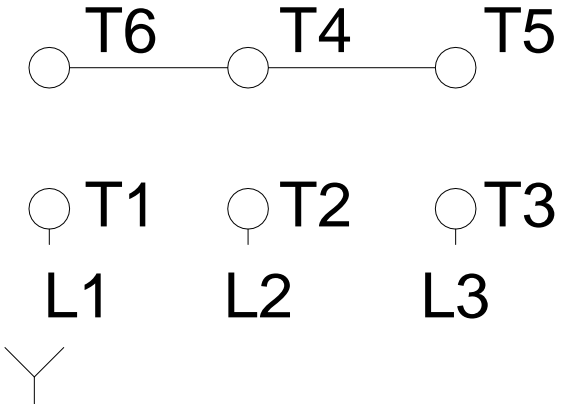
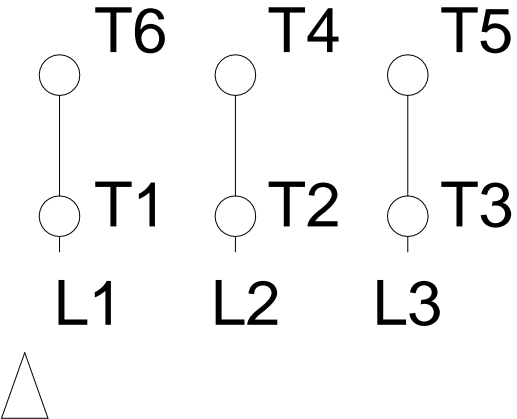


1 2 3 4 5 6 7 8

A
B
C
D
E
F

RUN

ONLY FOR START



| | | |
|--|-------------|--|
| Notes: Downloaded from http://dealerselectric.com Generated for Model #01536OP3H215JPV | | |
| Performed by: | | |
| Checked: | | |
| Customer: | | |
| Close Coupled Pump : Three-Phase - "JP" Type - ODP - High Efficiency - Vertical | | |
| Three-phase induction motor Frame 213/5JP - IP21 | 23-SEP-2016 | |