



Dealers Industrial Equipment

No.:

Date: 23-SEP-2016

Customer :

TECHNICAL PROPOSAL

Three-phase induction motor - Squirrel cage rotor

Product line : Close Coupled Pump : Three-Phase - "JP" Type - ODP - High Efficiency

Catalog Number : 01536OP3H215JP

List Price : \$1,447

Notes:

Downloaded from <http://dealerselectric.com>

Generated for Model #01536OP3H215JP

Performed by:

Checked:



# Dealers Industrial Equipment

No.:

Date: 23-SEP-2016

## DATA SHEET

### Three-phase induction motor - Squirrel cage rotor

Customer :  
 Product line : Close Coupled Pump : Three-Phase - "JP" Type - ODP - High Efficiency

Frame : 213/5JP  
 Output : 15 HP  
 Frequency : 60 Hz  
 Poles : 2  
 Full load speed : 3500 rpm  
 Slip : 2.78 %  
 Voltage : 575 V  
 Rated current : 14.0 A  
 Locked rotor current : 86.8 A  
 Locked rotor current (I<sub>L</sub>/I<sub>n</sub>) : 6.2  
 No-load current : 4.56 A  
 Full load torque : 22.2 lb.ft  
 Locked rotor torque : 200 %  
 Breakdown torque : 290 %  
 Design : B  
 Insulation class : F  
 Temperature rise : 80 K  
 Locked rotor time : 12 s (hot)  
 Service factor : 1.15  
 Duty cycle : S1  
 Ambient temperature : -20°C - +40°C  
 Altitude : 1000 m  
 Degree of Protection : IP21  
 Approximate weight : 134 lb  
 Moment of inertia : 0.57664 sq.ft.lb  
 Noise level : ---

|                     | D.E.    | N.D.E.  |
|---------------------|---------|---------|
| Bearings            | 6209 ZZ | 6206 ZZ |
| Regreasing interval | ---     | ---     |
| Grease amount       | ---     | ---     |

| Load | Power factor | Efficiency (%) |
|------|--------------|----------------|
| 100% | 0.88         | 89.5           |
| 75%  | 0.86         | 89.5           |
| 50%  | 0.77         | 88.5           |

Notes:  
 Downloaded from <http://dealerselectric.com>  
 Generated for Model #01536OP3H215JP

Performed by

Checked

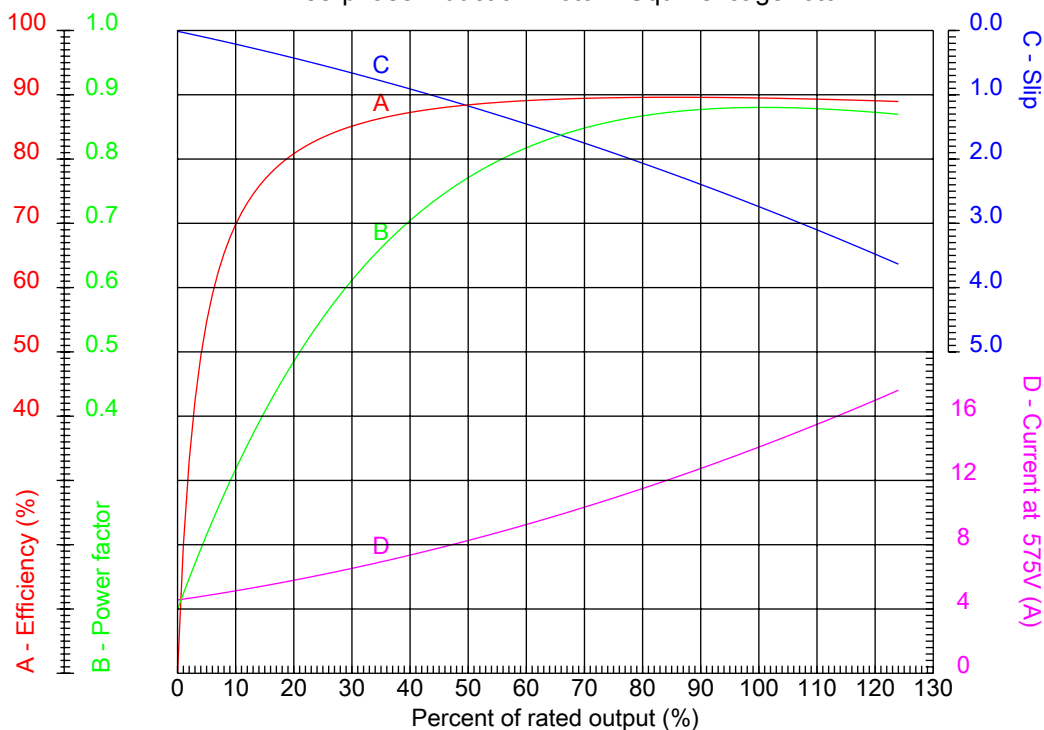


# Dealers Industrial Equipment

No.:

Date: 23-SEP-2016

## PERFORMANCE CURVES RELATED TO RATED OUTPUT Three-phase induction motor - Squirrel cage rotor



Customer :  
Product line : Close Coupled Pump : Three-Phase - "JP" Type - ODP - High Efficiency

|                  |            |                                                        |         |
|------------------|------------|--------------------------------------------------------|---------|
| Frame            | : 213/5JP  | Locked rotor current (I <sub>l</sub> /I <sub>n</sub> ) | : 6.2   |
| Output           | : 15 HP    | Duty cycle                                             | : S1    |
| Frequency        | : 60 Hz    | Service factor                                         | : 1.15  |
| Full load speed  | : 3500 rpm | Design                                                 | : B     |
| Voltage          | : 575 V    | Locked rotor torque                                    | : 200 % |
| Rated current    | : 14.0 A   | Breakdown torque                                       | : 290 % |
| Insulation class | : F        |                                                        |         |

Notes:  
Downloaded from <http://dealerselectric.com>  
Generated for Model #01536OP3H215JP

Performed by

Checked



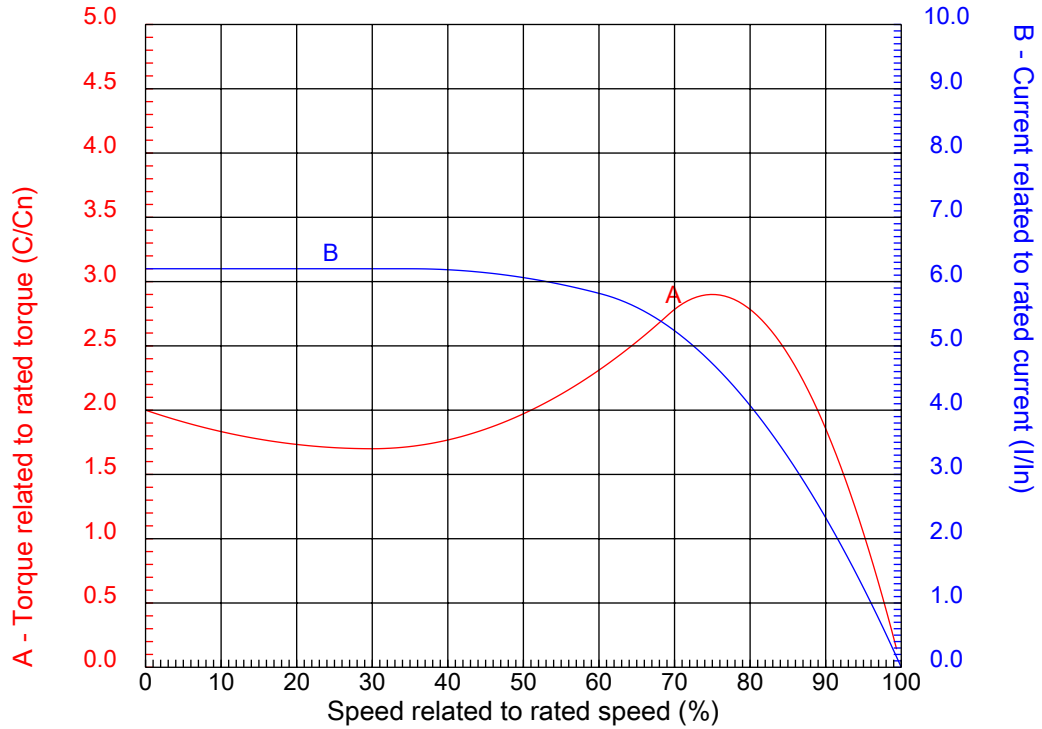
# Dealers Industrial Equipment

No.:

Date: 23-SEP-2016

## CHARACTERISTIC CURVES RELATED TO SPEED

Three-phase induction motor - Squirrel cage rotor



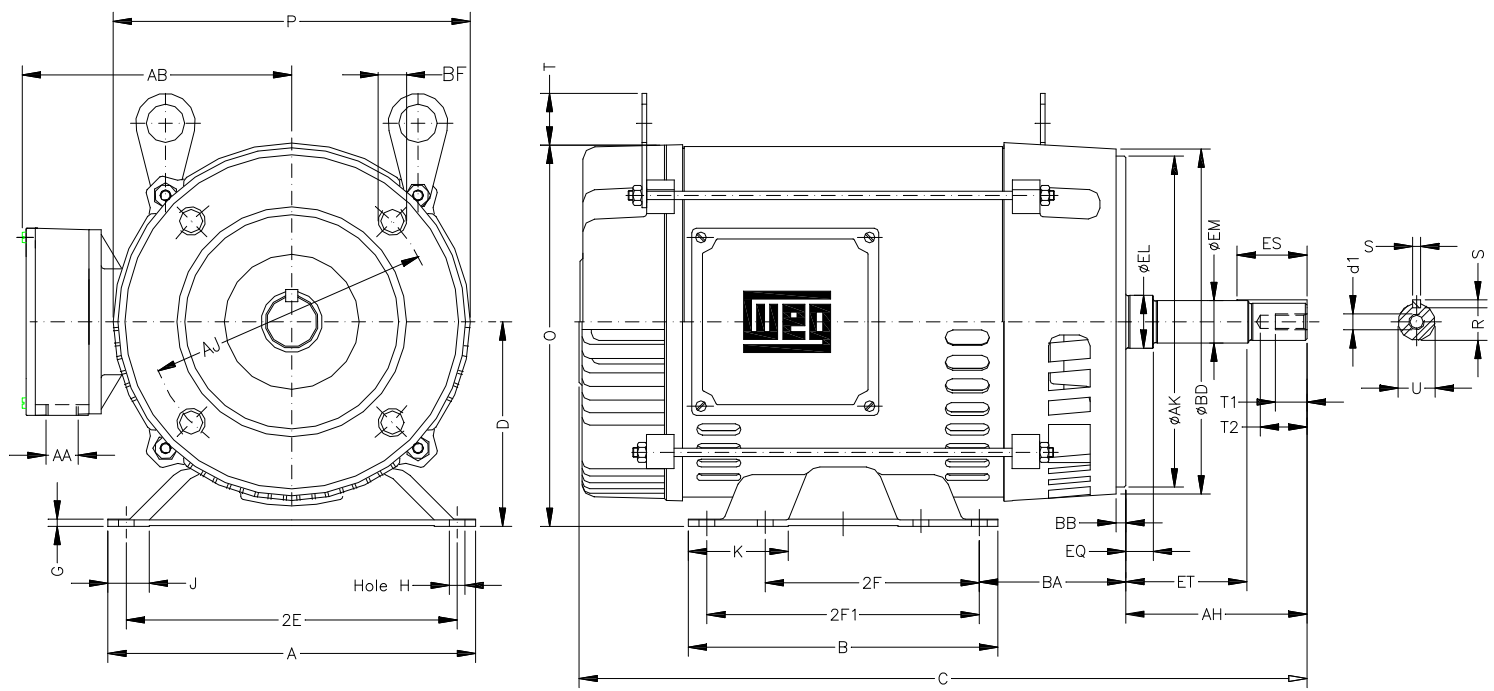
Customer :  
Product line : Close Coupled Pump : Three-Phase - "JP" Type - ODP - High Efficiency

|                  |            |                                                        |         |
|------------------|------------|--------------------------------------------------------|---------|
| Frame            | : 213/5JP  | Locked rotor current (I <sub>l</sub> /I <sub>n</sub> ) | : 6.2   |
| Output           | : 15 HP    | Duty cycle                                             | : S1    |
| Frequency        | : 60 Hz    | Service factor                                         | : 1.15  |
| Full load speed  | : 3500 rpm | Design                                                 | : B     |
| Voltage          | : 575 V    | Locked rotor torque                                    | : 200 % |
| Rated current    | : 14.0 A   | Breakdown torque                                       | : 290 % |
| Insulation class | : F        |                                                        |         |

Notes:  
Downloaded from <http://dealerselectric.com>  
Generated for Model #01536OP3H215JP

Performed by

Checked



Notes: Downloaded from <http://dealerselectric.com>  
 Generated for Model #01536OP3H215JP

|             |                   |                   |                    |             |
|-------------|-------------------|-------------------|--------------------|-------------|
| 2E<br>8.500 | A<br>9.449        | 2F<br>5.500/7.000 | B<br>7.952         | J<br>1.063  |
| BA<br>3.500 | D<br>5.250        | K<br>2.567        | G<br>0.187         | O<br>9.842  |
| P<br>8.779  | T<br>1.378        | AB<br>8.149       | H<br>0.406         | EQ<br>2.374 |
| ET<br>5.905 | U<br>1.250        | EM<br>1.375       | EL<br>1.750        | S<br>0.250  |
| EP<br>1.769 | R<br>1.110        | ES<br>2.480       | d1<br>EUNC 1/2"-13 | t1<br>0.984 |
| t2<br>1.496 | C<br>21.240       | Flange<br>FC-184  | AJ<br>7.250        | AK<br>8.500 |
| BD<br>8.858 | BF<br>UNC 1/2"x13 | BB<br>0.250       | AH<br>8.149        |             |

Performed by:  
 Checked:  
 Customer:  
 Close Coupled Pump : Three-Phase - "JP" Type - ODP - High Efficiency

|                                                     |             |  |
|-----------------------------------------------------|-------------|--|
| Three-phase induction motor<br>Frame 213/5JP - IP21 | 23-SEP-2016 |  |
|-----------------------------------------------------|-------------|--|

1 2 3 4 5 6 7 8


A  
B  
C  
D  
E  
F

### RUN



### ONLY FOR START



|                                                                                                                                   |             |                                                                                       |
|-----------------------------------------------------------------------------------------------------------------------------------|-------------|---------------------------------------------------------------------------------------|
| Notes: Downloaded from <a href="http://dealerselectric.com">http://dealerselectric.com</a><br>Generated for Model #01536OP3H215JP |             |                                                                                       |
| Performed by:                                                                                                                     |             |                                                                                       |
| Checked:                                                                                                                          |             |                                                                                       |
| Customer:                                                                                                                         |             |                                                                                       |
| Close Coupled Pump : Three-Phase - "JP" Type - ODP - High Efficiency                                                              |             |                                                                                       |
| Three-phase induction motor<br>Frame 213/5JP - IP21                                                                               | 23-SEP-2016 |  |