



# Dealers Industrial Equipment

No.:

Date: 23-SEP-2016

Customer :

## TECHNICAL PROPOSAL

### Three-phase induction motor - Squirrel cage rotor

Product line : Close Coupled Pump: Three-Phase - W22 "JM" Type - TEFC - NEMA Premium

Catalog Number : 01536ET3E254JM-W22

List Price : \$2,214

#### Notes:

Downloaded from <http://dealerselectric.com>

Generated for Model #01536ET3E254JM-W22

Performed by:

Checked:



# Dealers Industrial Equipment

No.:

Date: 23-SEP-2016

## DATA SHEET Three-phase induction motor - Squirrel cage rotor

Customer :  
 Product line : Close Coupled Pump: Three-Phase - W22 "JM" Type - TEFC - NEMA Premium

Frame : 254/6JM  
 Output : 15 HP  
 Frequency : 60 Hz  
 Poles : 2  
 Full load speed : 3530 rpm  
 Slip : 1.94 %  
 Voltage : 208-230/460 V  
 Rated current : 38.0-34.4/17.2 A  
 Locked rotor current : 230/115 A  
 Locked rotor current (I<sub>L</sub>/I<sub>n</sub>) : 6.7  
 No-load current : 12.0/6.00 A  
 Full load torque : 22.0 lb.ft  
 Locked rotor torque : 220 %  
 Breakdown torque : 270 %  
 Design : B  
 Insulation class : F  
 Temperature rise : 80 K  
 Locked rotor time : 25 s (hot)  
 Service factor : 1.25  
 Duty cycle : S1  
 Ambient temperature : -20°C - +40°C  
 Altitude : 1000 m  
 Degree of Protection : IP55  
 Approximate weight : 236 lb  
 Moment of inertia : 1.2565 sq.ft.lb  
 Noise level : 72 dB(A)

	D.E.	N.D.E.	Load	Power factor	Efficiency (%)
Bearings	6309 C3	6209 C3	100%	0.88	91.0
Regreasing interval	19000 h	20000 h	75%	0.85	91.0
Grease amount	13 g	9 g	50%	0.77	89.5

Notes:  
 Downloaded from <http://dealerselectric.com>  
 Generated for Model #01536ET3E254JM-W22

Performed by

Checked



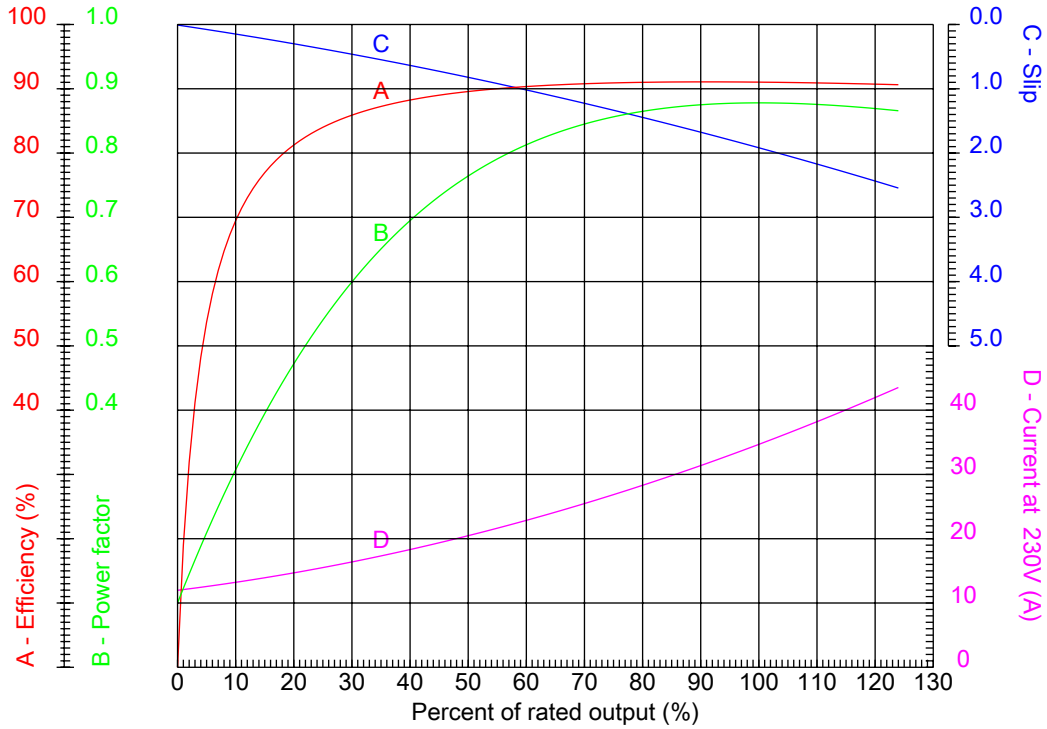
# Dealers Industrial Equipment

No.:

Date: 23-SEP-2016

## PERFORMANCE CURVES RELATED TO RATED OUTPUT

Three-phase induction motor - Squirrel cage rotor



Customer :  
 Product line : Close Coupled Pump: Three-Phase - W22 "JM" Type - TEFC - NEMA Premium

Frame	: 254/6JM	Locked rotor current (I <sub>l</sub> /I <sub>n</sub> )	: 6.7
Output	: 15 HP	Duty cycle	: S1
Frequency	: 60 Hz	Service factor	: 1.25
Full load speed	: 3530 rpm	Design	: B
Voltage	: 208-230/460 V	Locked rotor torque	: 220 %
Rated current	: 38.0-34.4/17.2 A	Breakdown torque	: 270 %
Insulation class	: F		

Notes:  
 Downloaded from <http://dealerselectric.com>  
 Generated for Model #01536ET3E254JM-W22

Performed by

Checked



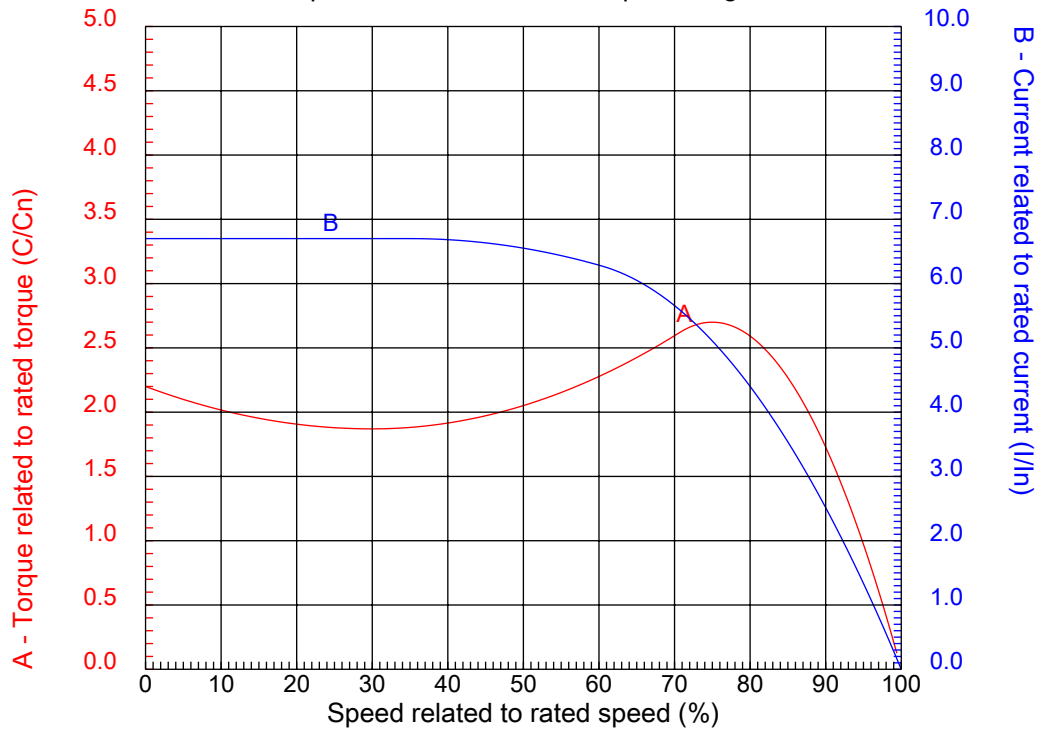
# Dealers Industrial Equipment

No.:

Date: 23-SEP-2016

## CHARACTERISTIC CURVES RELATED TO SPEED

Three-phase induction motor - Squirrel cage rotor



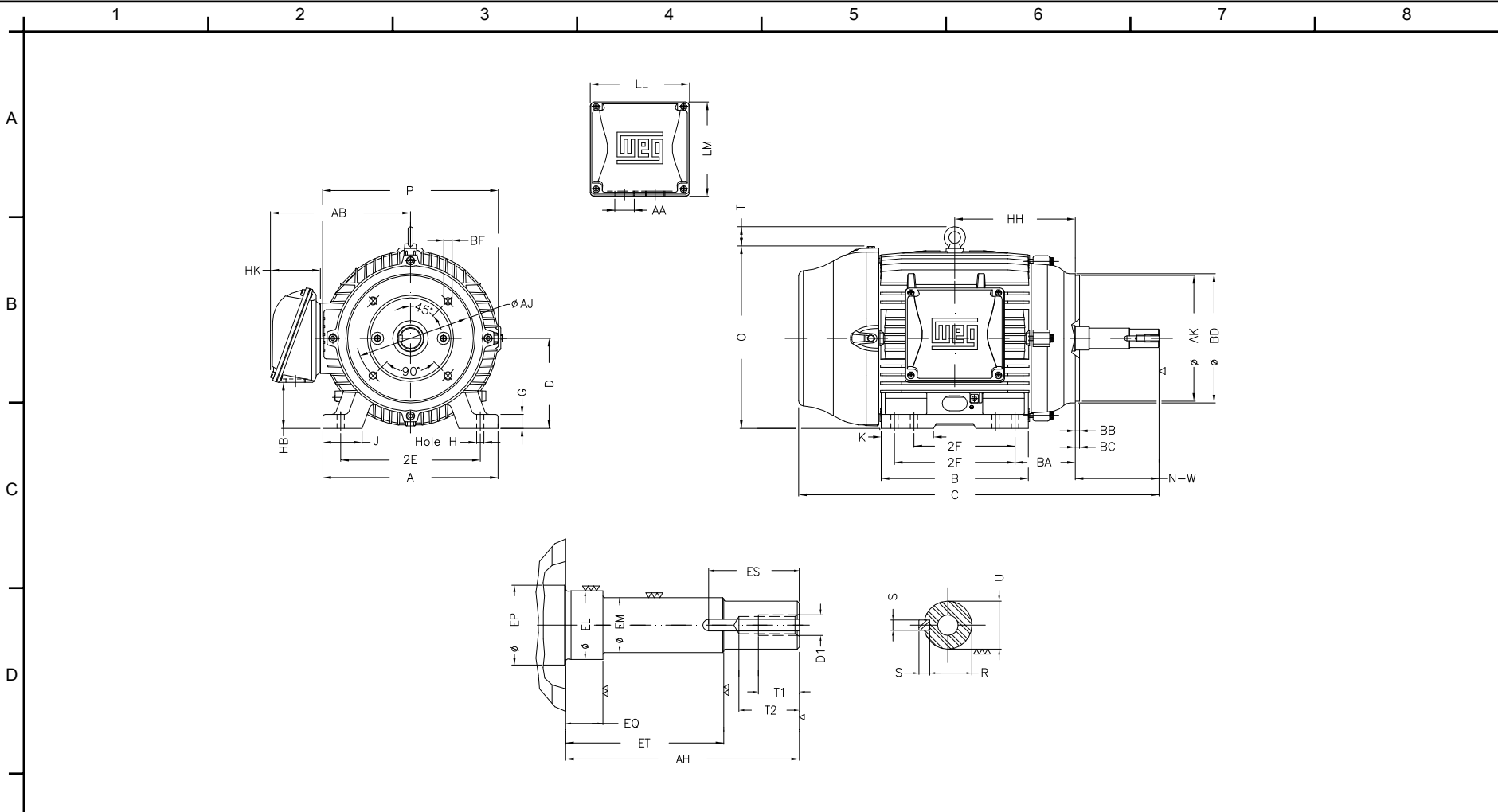
Customer :  
Product line : Close Coupled Pump: Three-Phase - W22 "JM" Type - TEFC - NEMA Premium

Frame	: 254/6JM	Locked rotor current (I <sub>l</sub> /I <sub>n</sub> )	: 6.7
Output	: 15 HP	Duty cycle	: S1
Frequency	: 60 Hz	Service factor	: 1.25
Full load speed	: 3530 rpm	Design	: B
Voltage	: 208-230/460 V	Locked rotor torque	: 220 %
Rated current	: 38.0-34.4/17.2 A	Breakdown torque	: 270 %
Insulation class	: F		

Notes:  
Downloaded from <http://dealerselectric.com>  
Generated for Model #01536ET3E254JM-W22

Performed by

Checked



E	2E 10.000	J 2.539	A 12.126	P 12.953	AB 10.483
	2F 8.252/10.000	K 2.559	B 11.732	BA 4.250	D 6.250
	G 0.827	O 12.598	T 2.087	H 0.531	AA NPT 1 1/2"
	EQ 0.630	ET 3.006	U 1.249	EM 1.375	EL 1.750
	EP 1.750	ES 2.480	t1 0.984	t2 1.496	C 26.226
F	d1 EUNC 1/2"-13	HH 9.250	HK 3.976	HB 3.061	LL 7.815
	LM 7.480	S 0.250	R 1.110	Flange FC-184	AJ 7.252
	AK 8.500	BD 8.858	BF UNC 1/2"x13	BB 0.248	AH 5.250

Notes: Downloaded from <http://dealerselectric.com>  
 Generated for Model #01536ET3E254JM-W22

Performed by:


Checked:

Customer:

Close Coupled Pump: Three-Phase - W22 "JM" Type - TEFC - NEMA Premium

Three-phase induction motor  
 Frame 254/6JM - IP55

23-SEP-2016



1 2 3 4 5 6 7 8

A  
B  
C  
D  
E  
F

LOW VOLTAGE

HIGH VOLTAGE



CONNECTIONS FOR STARTING ONLY:

LOW VOLTAGE

HIGH VOLTAGE



Notes: Downloaded from <http://dealerselectric.com>  
Generated for Model #01536ET3E254JM-W22

Performed by:

Checked:

Customer:

Close Coupled Pump: Three-Phase - W22 "JM" Type - TEFC - NEMA Premium

Three-phase induction motor  
Frame 254/6JM - IP55

23-SEP-2016

