



Dealers Industrial Equipment

No.:

Date: 23-SEP-2016

Customer :

TECHNICAL PROPOSAL

Three-phase induction motor - Squirrel cage rotor

Product line : Close Coupled Pump: Three-Phase - W22 "JP" Type - TEFC - NEMA Premium

Catalog Number : 01536ET3E215JP-W22

List Price : \$2,099

Notes:

Downloaded from <http://dealerselectric.com>

Generated for Model #01536ET3E215JP-W22

Performed by:

Checked:



# Dealers Industrial Equipment

No.:

Date: 23-SEP-2016

## DATA SHEET Three-phase induction motor - Squirrel cage rotor

Customer :  
 Product line : Close Coupled Pump: Three-Phase - W22 "JP" Type - TEFC - NEMA Premium

Frame : 213/5JP  
 Output : 15 HP  
 Frequency : 60 Hz  
 Poles : 2  
 Full load speed : 3510 rpm  
 Slip : 2.50 %  
 Voltage : 208-230/460 V  
 Rated current : 37.6-34.0/17.0 A  
 Locked rotor current : 258/129 A  
 Locked rotor current (I<sub>L</sub>/I<sub>n</sub>) : 7.6  
 No-load current : 10.0/5.00 A  
 Full load torque : 22.1 lb.ft  
 Locked rotor torque : 240 %  
 Breakdown torque : 280 %  
 Design : B  
 Insulation class : F  
 Temperature rise : 80 K  
 Locked rotor time : 14 s (hot)  
 Service factor : 1.25  
 Duty cycle : S1  
 Ambient temperature : -20°C - +40°C  
 Altitude : 1000 m  
 Degree of Protection : IP55  
 Approximate weight : 163 lb  
 Moment of inertia : 0.63620 sq.ft.lb  
 Noise level : 72 dB(A)

	D.E.	N.D.E.
Bearings	6309 Z-C3	6207 ZZ
Regreasing interval	19000 h	---
Grease amount	13 g	---

Load	Power factor	Efficiency (%)
100%	0.89	91.0
75%	0.85	91.0
50%	0.76	90.2

Notes:  
 Downloaded from <http://dealerselectric.com>  
 Generated for Model #01536ET3E215JP-W22

Performed by

Checked



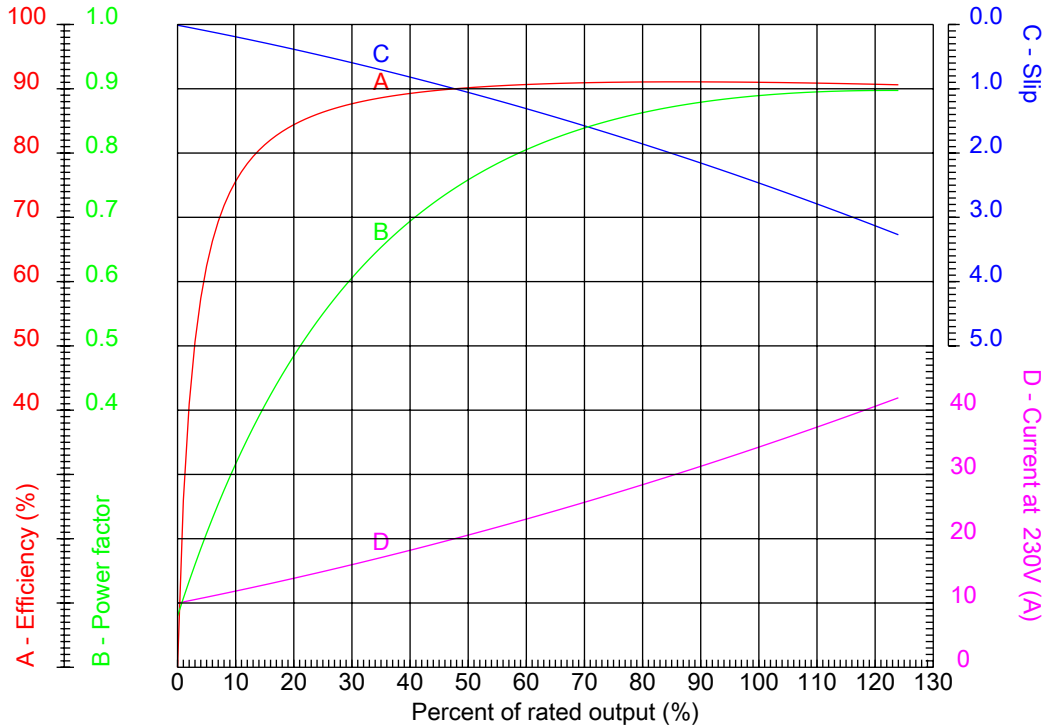
# Dealers Industrial Equipment

No.:

Date: 23-SEP-2016

## PERFORMANCE CURVES RELATED TO RATED OUTPUT

Three-phase induction motor - Squirrel cage rotor



Customer :  
 Product line : Close Coupled Pump: Three-Phase - W22 "JP" Type - TEFC - NEMA Premium

Frame	: 213/5JP	Locked rotor current (I <sub>l</sub> /I <sub>n</sub> )	: 7.6
Output	: 15 HP	Duty cycle	: S1
Frequency	: 60 Hz	Service factor	: 1.25
Full load speed	: 3510 rpm	Design	: B
Voltage	: 208-230/460 V	Locked rotor torque	: 240 %
Rated current	: 37.6-34.0/17.0 A	Breakdown torque	: 280 %
Insulation class	: F		

Notes:  
 Downloaded from <http://dealerselectric.com>  
 Generated for Model #01536ET3E215JP-W22

Performed by

Checked



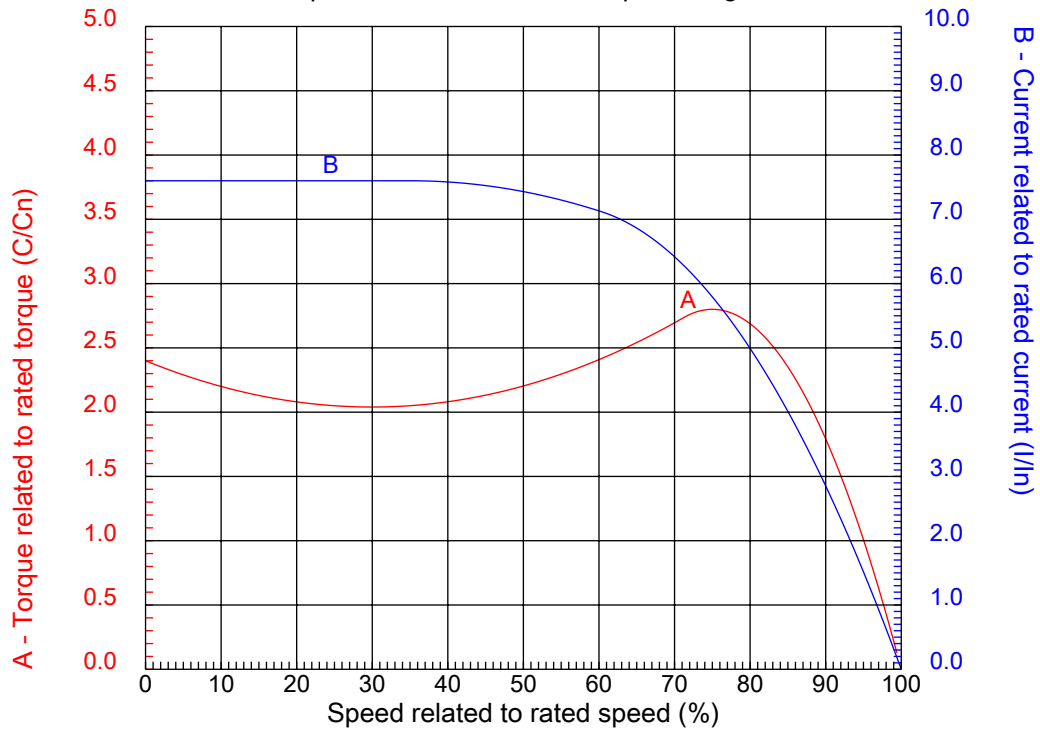
# Dealers Industrial Equipment

No.:

Date: 23-SEP-2016

## CHARACTERISTIC CURVES RELATED TO SPEED

Three-phase induction motor - Squirrel cage rotor



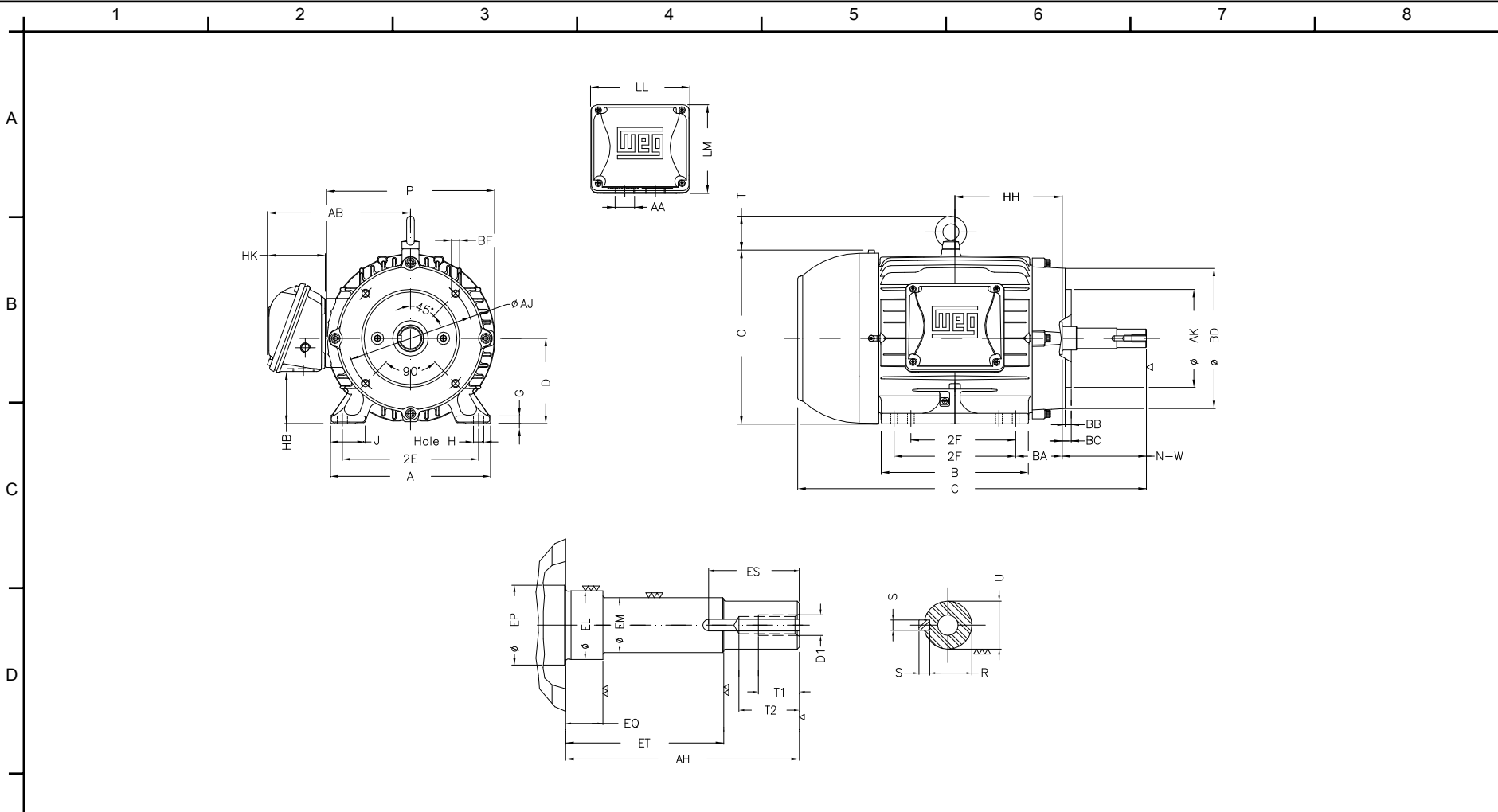
Customer :  
Product line : Close Coupled Pump: Three-Phase - W22 "JP" Type - TEFC - NEMA Premium

Frame	: 213/5JP	Locked rotor current (I/I <sub>n</sub> )	: 7.6
Output	: 15 HP	Duty cycle	: S1
Frequency	: 60 Hz	Service factor	: 1.25
Full load speed	: 3510 rpm	Design	: B
Voltage	: 208-230/460 V	Locked rotor torque	: 240 %
Rated current	: 37.6-34.0/17.0 A	Breakdown torque	: 280 %
Insulation class	: F		

Notes:  
Downloaded from <http://dealerselectric.com>  
Generated for Model #01536ET3E215JP-W22

Performed by

Checked



Notes: Downloaded from <http://dealerselectric.com>  
 Generated for Model #01536ET3E215JP-W22

2E	J	A	P	AB
8.500	1.772	9.764	10.669	8.583
2F	K	B	BA	D
5.500/7.000	2.165	8.858	3.500	5.250
G	O	T	H	AA
0.669	10.841	1.772	0.406	NPT 1"
EQ	ET	U	EM	EL
2.382	5.886	1.249	1.375	1.750
EP	ES	t1	t2	C
1.770	2.480	0.984	1.496	24.264
d1	HH	HK	HB	LL
EUNC 1/2"-13	7.000	3.150	2.985	5.512
LM	S	R	Flange	AJ
5.236	0.250	1.110	FC-184	7.252
AK	BD	BF	BB	AH
8.500	8.858	UNC 1/2"x13	0.248	8.130

Performed by:

Checked:

Customer:

Close Coupled Pump: Three-Phase - W22 "JP" Type - TEFC - NEMA Premium

Three-phase induction motor  
 Frame 213/5JP - IP55

23-SEP-2016

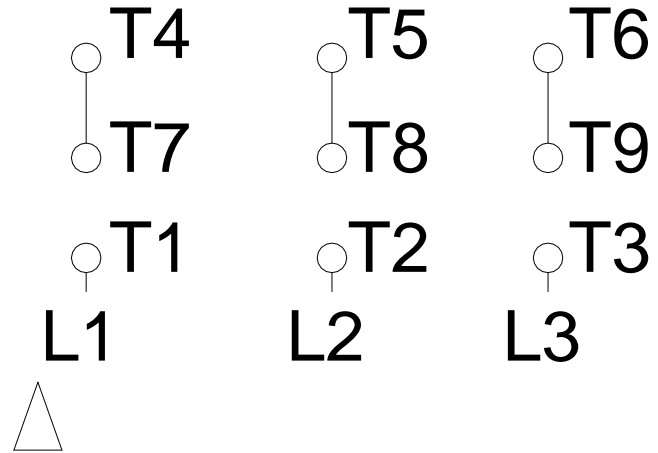


1 2 3 4 5 6 7 8

# LOW VOLTAGE

# HIGH VOLTAGE

A  
B  
C  
D  
E  
F



Notes: Downloaded from <http://dealerselectric.com>  
Generated for Model #01536ET3E215JP-W22

Performed by:

Checked:

Customer:

Close Coupled Pump: Three-Phase - W22 "JP" Type - TEFC - NEMA Premium

Three-phase induction motor  
Frame 213/5JP - IP55

23-SEP-2016

