



Dealers Industrial Equipment

No.:

Date: 23-SEP-2016

Customer :

TECHNICAL PROPOSAL

Three-phase induction motor - Squirrel cage rotor

Product line : Three-Phase : Rolled Steel Motor - High Efficiency

Catalog Number : 01536EP3ERSR254TC

List Price : \$1,488

Notes:

Downloaded from <http://dealerselectric.com>

Generated for Model #01536EP3ERSR254TC

Performed by:

Checked:



Dealers Industrial Equipment

No.:

Date: 23-SEP-2016

DATA SHEET Three-phase induction motor - Squirrel cage rotor

Customer :
 Product line : Three-Phase : Rolled Steel Motor - High Efficiency

Frame : W254/6T
 Output : 15 HP
 Frequency : 60 Hz
 Poles : 2
 Full load speed : 3520 rpm
 Slip : 2.22 %
 Voltage : 230/460 V
 Rated current : 34.0/17.0 A
 Locked rotor current : 272/136 A
 Locked rotor current (I_L/I_n) : 8.0
 No-load current : 11.2/5.60 A
 Full load torque : 22.1 lb.ft
 Locked rotor torque : 260 %
 Breakdown torque : 300 %
 Design : B
 Insulation class : F
 Temperature rise : 80 K
 Locked rotor time : 12 s (hot)
 Service factor : 1.15
 Duty cycle : S1
 Ambient temperature : -20°C - +40°C
 Altitude : 1000 m
 Degree of Protection : IP55
 Approximate weight : 158 lb
 Moment of inertia : 0.66539 sq.ft.lb
 Noise level : ---

	D.E.	N.D.E.	Load	Power factor	Efficiency (%)
Bearings	6309 ZZ	6208 ZZ	100%	0.90	90.2
Regreasing interval	---	---	75%	0.87	90.2
Grease amount	---	---	50%	0.78	89.5

Notes:
 Downloaded from <http://dealerselectric.com>
 Generated for Model #01536EP3ERSR254TC

Performed by

Checked



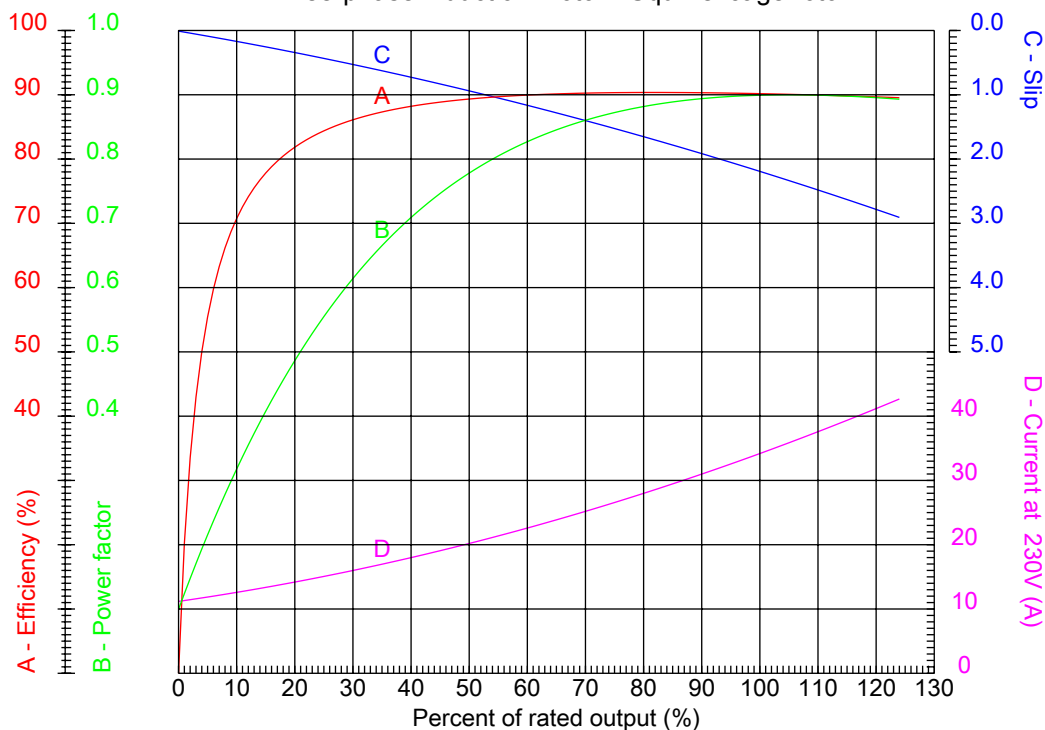
Dealers Industrial Equipment

No.:

Date: 23-SEP-2016

PERFORMANCE CURVES RELATED TO RATED OUTPUT

Three-phase induction motor - Squirrel cage rotor



Customer :
Product line : Three-Phase : Rolled Steel Motor - High Efficiency

Frame	: W254/6T	Locked rotor current (I _l /I _n)	: 8.0
Output	: 15 HP	Duty cycle	: S1
Frequency	: 60 Hz	Service factor	: 1.15
Full load speed	: 3520 rpm	Design	: B
Voltage	: 230/460 V	Locked rotor torque	: 260 %
Rated current	: 34.0/17.0 A	Breakdown torque	: 300 %
Insulation class	: F		

Notes:
Downloaded from <http://dealerselectric.com>
Generated for Model #01536EP3ERSR254TC

Performed by

Checked



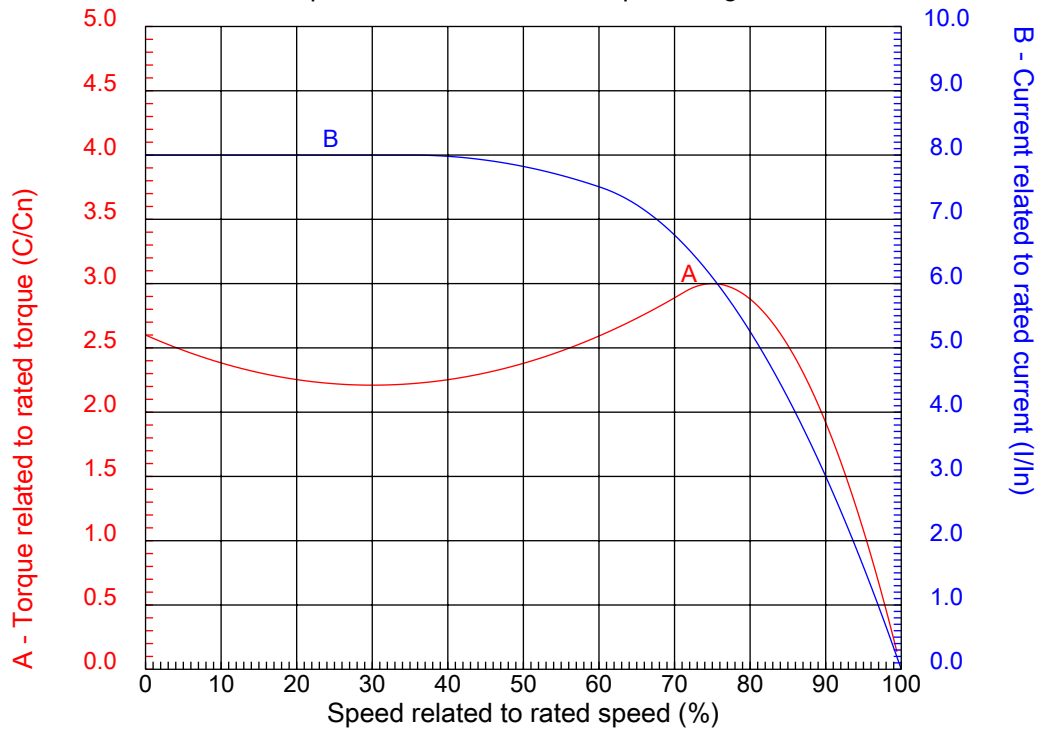
Dealers Industrial Equipment

No.:

Date: 23-SEP-2016

CHARACTERISTIC CURVES RELATED TO SPEED

Three-phase induction motor - Squirrel cage rotor



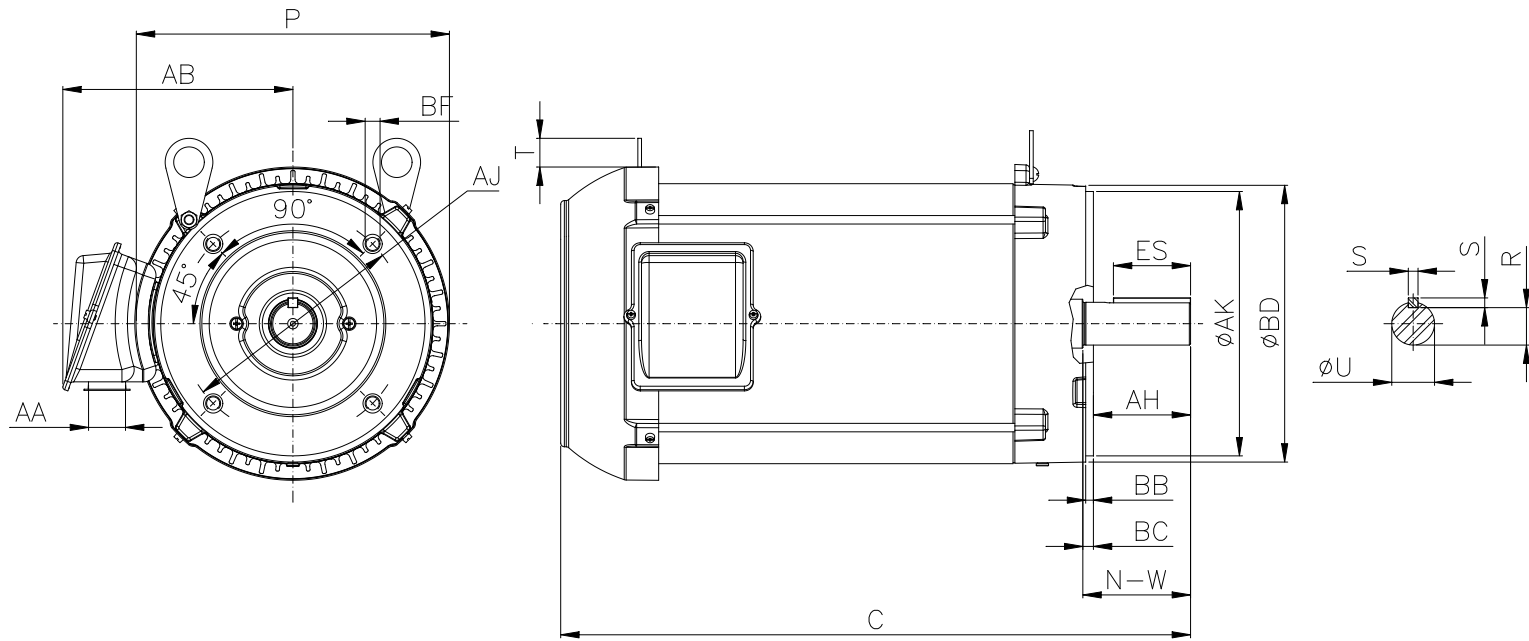
Customer :
Product line : Three-Phase : Rolled Steel Motor - High Efficiency

Frame	: W254/6T	Locked rotor current (I _l /I _n)	: 8.0
Output	: 15 HP	Duty cycle	: S1
Frequency	: 60 Hz	Service factor	: 1.15
Full load speed	: 3520 rpm	Design	: B
Voltage	: 230/460 V	Locked rotor torque	: 260 %
Rated current	: 34.0/17.0 A	Breakdown torque	: 300 %
Insulation class	: F		

Notes:
Downloaded from <http://dealerselectric.com>
Generated for Model #01536EP3ERSR254TC

Performed by

Checked



Notes: Downloaded from <http://dealerselectric.com>
 Generated for Model #01536EP3ERSR254TC

Performed by:

Checked:

Customer:

Three-Phase : Rolled Steel Motor - High Efficiency

P	AB	U	N-W	ES
10.071	7.428	1.625	4.000	2.756
S	R	depth	C	d1
0.375	1.416	0.375	21.500	A 4
d2	Flange	AJ	AK	BD
A 4	FC-184	7.250	8.500	8.875
BF	BB	BC	AH	
UNC 1/2"x13	0.250	0.250	3.750	

Three-phase induction motor
 Frame W254/6T - IP55

23-SEP-2016



1 2 3 4 5 6 7 8

A
B
C
D
E
F

LOW VOLTAGE

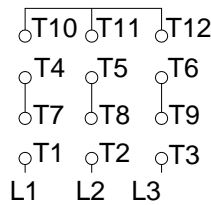
HIGH VOLTAGE



CONNECTIONS FOR STARTING ONLY:

LOW VOLTAGE

HIGH VOLTAGE



Notes: Downloaded from <http://dealerselectric.com>
Generated for Model #01536EP3ERSR254TC

Performed by:

Checked:

Customer:

Three-Phase : Rolled Steel Motor - High Efficiency

Three-phase induction motor
Frame W254/6T - IP55

23-SEP-2016

