



Dealers Industrial Equipment

No.:

Date: 23-SEP-2016

Customer :

TECHNICAL PROPOSAL

Three-phase induction motor - Squirrel cage rotor

Product line : Close Coupled Pump: Three-Phase - W22 "JM" Type - TEFC - High Efficiency

Catalog Number : 01536EP3E215JM-W22

List Price : \$>(discontinued)

Notes:

Downloaded from <http://dealerselectric.com>

Generated for Model #01536EP3E215JM-W22

Performed by:

Checked:



Dealers Industrial Equipment

No.:

Date: 23-SEP-2016

DATA SHEET Three-phase induction motor - Squirrel cage rotor

Customer :
 Product line : Close Coupled Pump: Three-Phase - W22 "JM" Type - TEFC - High Efficiency

Frame : 215JM
 Output : 15 HP
 Frequency : 60 Hz
 Poles : 2
 Full load speed : 3490 rpm
 Slip : 3.06 %
 Voltage : 230/460 V
 Rated current : 33.6/16.8 A
 Locked rotor current : 212/106 A
 Locked rotor current (I_L/I_n) : 6.3
 No-load current : 8.80/4.40 A
 Full load torque : 22.3 lb.ft
 Locked rotor torque : 210 %
 Breakdown torque : 250 %
 Design : B
 Insulation class : F
 Temperature rise : 80 K
 Locked rotor time : 15 s (hot)
 Service factor : 1.15
 Duty cycle : S1
 Ambient temperature : -20°C - +40°C
 Altitude : 1000 m
 Degree of Protection : IP55
 Approximate weight : 163 lb
 Moment of inertia : 0.64024 sq.ft.lb
 Noise level : 72 dB(A)

	D.E.	N.D.E.
Bearings	6309 Z-C3	6207 ZZ
Regreasing interval	19000 h	---
Grease amount	13 g	---

Load	Power factor	Efficiency (%)
100%	0.91	90.2
75%	0.89	90.2
50%	0.84	89.5

Notes:
 Downloaded from <http://dealerselectric.com>
 Generated for Model #01536EP3E215JM-W22

Performed by

Checked

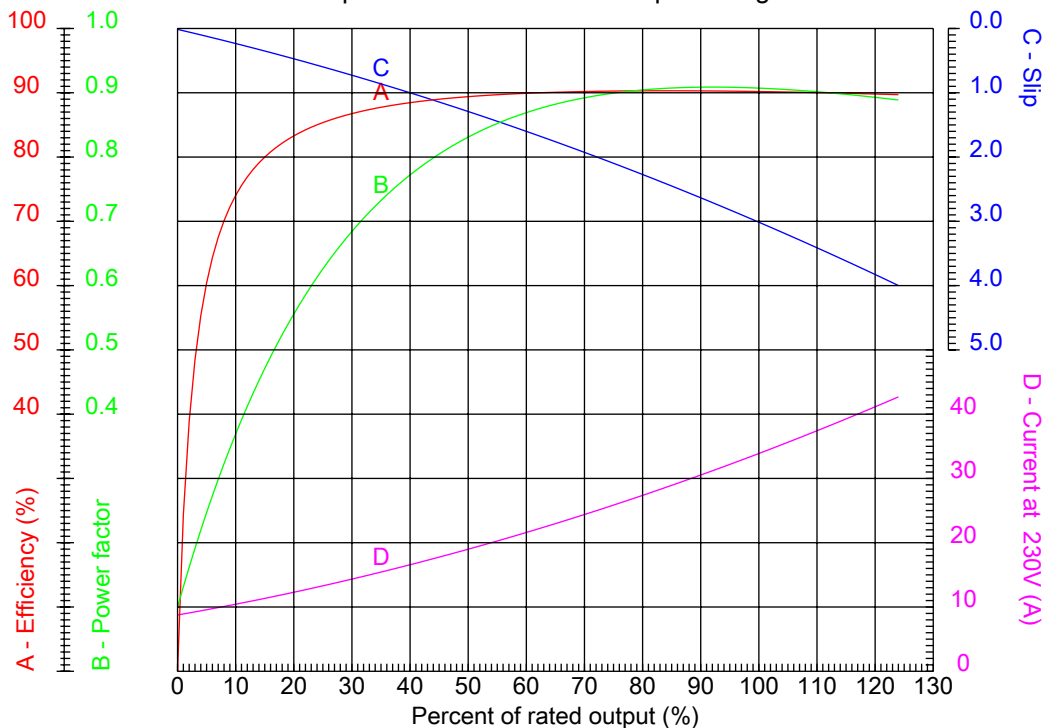


Dealers Industrial Equipment

No.:

Date: 23-SEP-2016

PERFORMANCE CURVES RELATED TO RATED OUTPUT Three-phase induction motor - Squirrel cage rotor



Customer :
 Product line : Close Coupled Pump: Three-Phase - W22 "JM" Type - TEFC - High Efficiency

Frame	: 215JM	Locked rotor current (I _l /I _n)	: 6.3
Output	: 15 HP	Duty cycle	: S1
Frequency	: 60 Hz	Service factor	: 1.15
Full load speed	: 3490 rpm	Design	: B
Voltage	: 230/460 V	Locked rotor torque	: 210 %
Rated current	: 33.6/16.8 A	Breakdown torque	: 250 %
Insulation class	: F		

Notes:
 Downloaded from <http://dealerselectric.com>
 Generated for Model #01536EP3E215JM-W22

Performed by

Checked



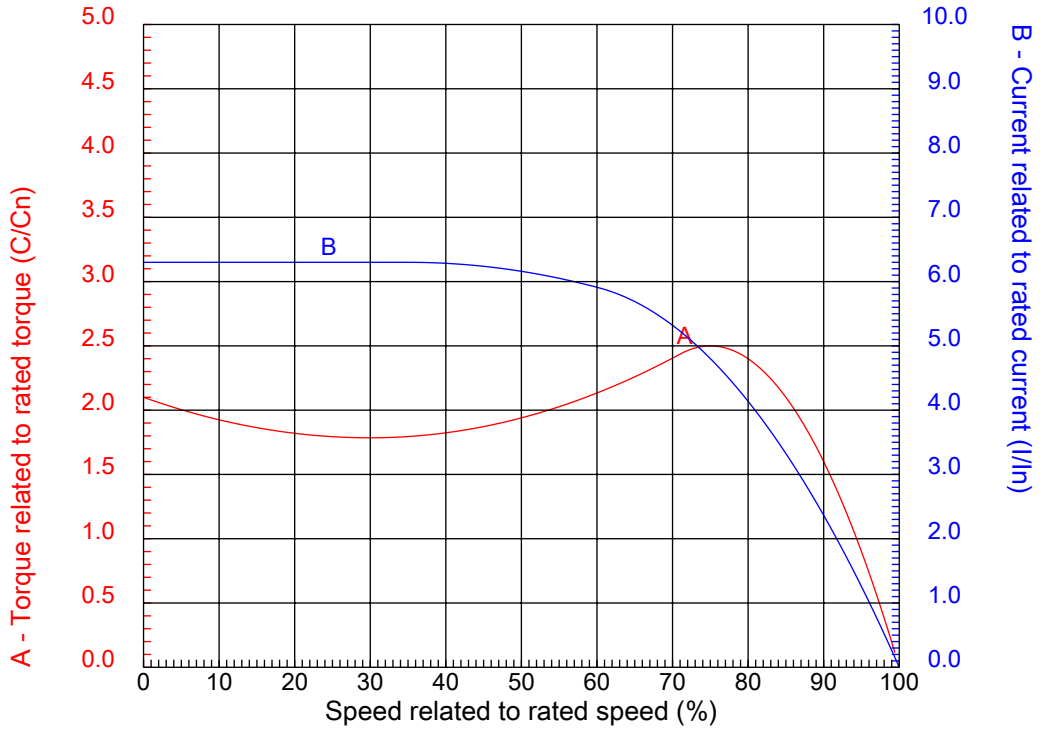
Dealers Industrial Equipment

No.:

Date: 23-SEP-2016

CHARACTERISTIC CURVES RELATED TO SPEED

Three-phase induction motor - Squirrel cage rotor



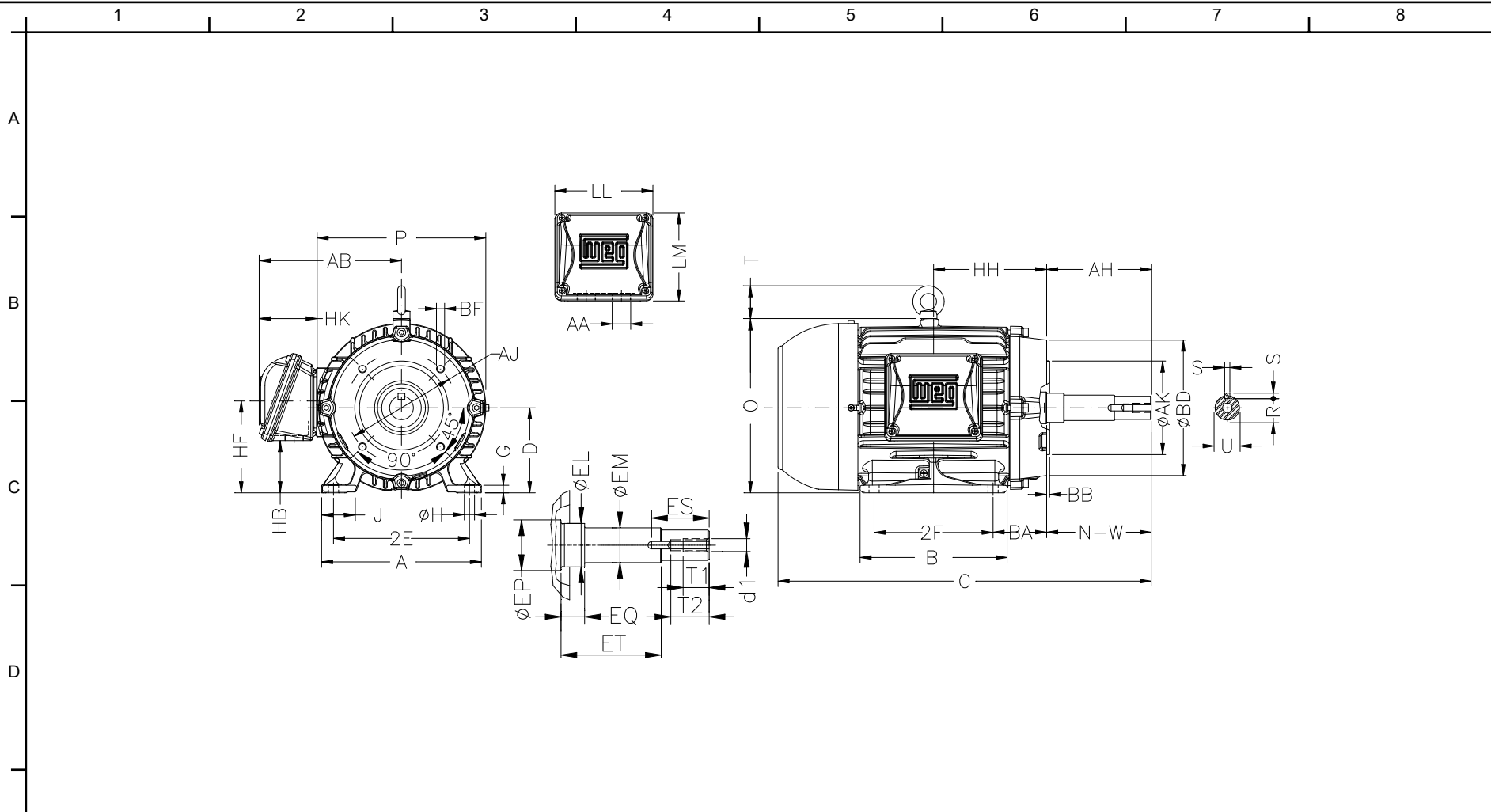
Customer :
 Product line : Close Coupled Pump: Three-Phase - W22 "JM" Type - TEFC - High Efficiency

Frame	: 215JM	Locked rotor current (I _l /I _n)	: 6.3
Output	: 15 HP	Duty cycle	: S1
Frequency	: 60 Hz	Service factor	: 1.15
Full load speed	: 3490 rpm	Design	: B
Voltage	: 230/460 V	Locked rotor torque	: 210 %
Rated current	: 33.6/16.8 A	Breakdown torque	: 250 %
Insulation class	: F		

Notes:
 Downloaded from <http://dealerselectric.com>
 Generated for Model #01536EP3E215JM-W22

Performed by

Checked



E	2E 8.500	J 1.789	A 9.764	P 10.236	AB 8.583	Notes: Downloaded from http://dealerselectric.com Generated for Model #01536EP3E215JM-W22
	2F 7.000	K 2.165	B 8.858	BA 3.500	D 5.250	
F	G 0.646	O 10.841	T 1.772	H 0.410	AA NPT 1"	Performed by:
	EQ 0.630	ET 2.880	U 0.874	EM 1.000	EL 1.250	Checked:
	EP 1.770	ES 1.654	t1 0.748	t2 1.102	C 20.174	Customer:
	d1 EUNC 3/8"-16	HH 7.000	HK 3.110	HB 3.006	LL 5.512	Close Coupled Pump: Three-Phase - W22 "JM" Type - TEFC - High Efficiency
	LM 5.236	S 0.187	R 0.767	Flange FC-184	AJ 7.252	
	AK 8.500	BD 8.858	BF UNC 1/2"x13	BB 0.248	BC ---	Three-phase induction motor
	AH 4.258					Frame 215JM - IP55
						23-SEP-2016

1 2 3 4 5 6 7 8

LOW VOLTAGE

HIGH VOLTAGE

A
B
C
D
E
F



Notes: Downloaded from http://dealerselectric.com Generated for Model #01536EP3E215JM-W22		
Performed by:		
Checked:		
Customer:		
Close Coupled Pump: Three-Phase - W22 "JM" Type - TEFC - High Efficiency		
Three-phase induction motor Frame 215JM - IP55	23-SEP-2016	