



Dealers Industrial Equipment

No.:

Date: 23-SEP-2016

Customer :

TECHNICAL PROPOSAL

Three-phase induction motor - Squirrel cage rotor

Product line : Three-Phase: W22 IE3 IEC Tru-Metric - TEFC (IP55) Cast Iron Frame

Catalog Number : 01518ET3Y160L-W22

List Price : \$2,118

Notes:

Downloaded from <http://dealerselectric.com>

Generated for Model #01518ET3Y160L-W22

Performed by:

Checked:



Dealers Industrial Equipment

No.:

Date: 23-SEP-2016

DATA SHEET

Three-phase induction motor - Squirrel cage rotor

Customer :
 Product line : Three-Phase: W22 IE3 IEC Tru-Metric - TEFC (IP55) Cast Iron Frame

Frame : 160L
 Output : 20 HP
 Frequency : 60 Hz
 Poles : 4
 Full load speed : 1775 rpm
 Slip : 1.39 %
 Voltage : 460 V
 Rated current : 25.0 A
 Locked rotor current : 208 A
 Locked rotor current (I_L/I_n) : 8.3
 No-load current : 12.7 A
 Full load torque : 58.4 lb.ft
 Locked rotor torque : 330 %
 Breakdown torque : 400 %
 Design : ---
 Insulation class : F
 Temperature rise : 80 K
 Locked rotor time : 13 s (hot)
 Service factor : 1.25
 Duty cycle : S1
 Ambient temperature : -20°C - +40°C
 Altitude : 1000 m
 Degree of Protection : IP55
 Approximate weight : 320 lb
 Moment of inertia : 2.8815 sq.ft.lb
 Noise level : 64 dB(A)

	D.E.	N.D.E.
Bearings	6309 C3	6209 C3
Regreasing interval	20000 h	20000 h
Grease amount	13 g	9 g

Load	Power factor	Efficiency (%)
100%	0.81	93.0
75%	0.74	91.7
50%	0.62	91.0

Notes:
 Downloaded from <http://dealerselectric.com>
 Generated for Model #01518ET3Y160L-W22

Performed by

Checked



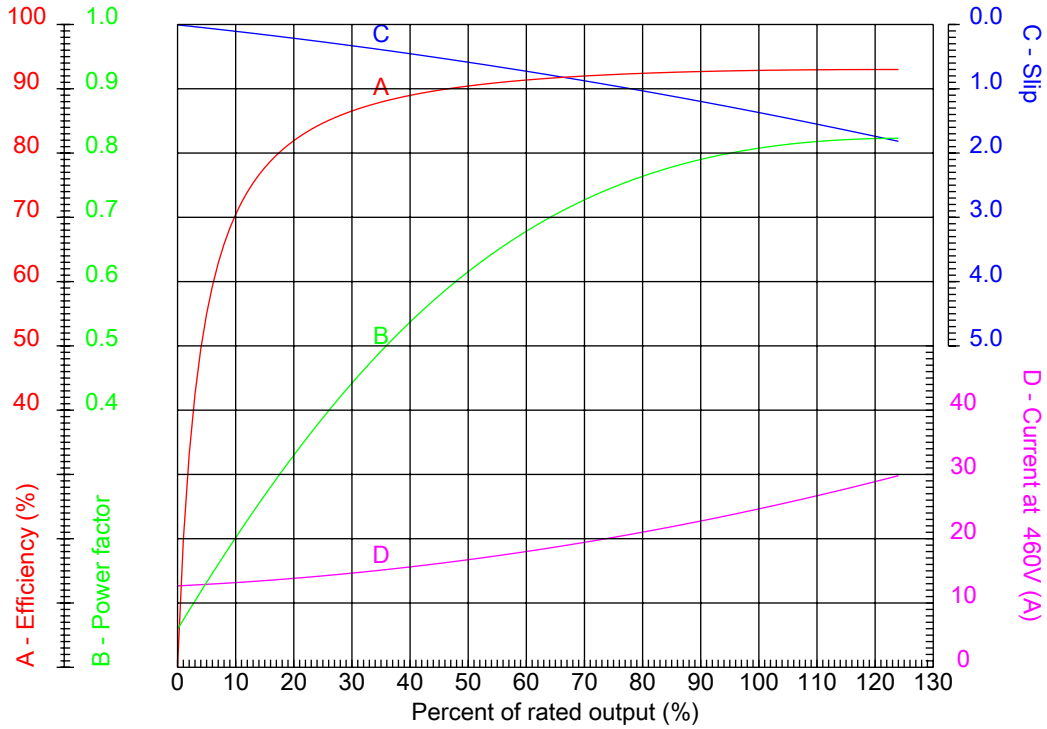
Dealers Industrial Equipment

No.:

Date: 23-SEP-2016

PERFORMANCE CURVES RELATED TO RATED OUTPUT

Three-phase induction motor - Squirrel cage rotor



Customer :
 Product line : Three-Phase: W22 IE3 IEC Tru-Metric - TEFC (IP55) Cast Iron Frame

Frame	: 160L	Locked rotor current (I _l /I _n)	: 8.3
Output	: 20 HP	Duty cycle	: S1
Frequency	: 60 Hz	Service factor	: 1.25
Full load speed	: 1775 rpm	Design	: ---
Voltage	: 460 V	Locked rotor torque	: 330 %
Rated current	: 25.0 A	Breakdown torque	: 400 %
Insulation class	: F		

Notes:
 Downloaded from <http://dealerselectric.com>
 Generated for Model #01518ET3Y160L-W22

Performed by

Checked



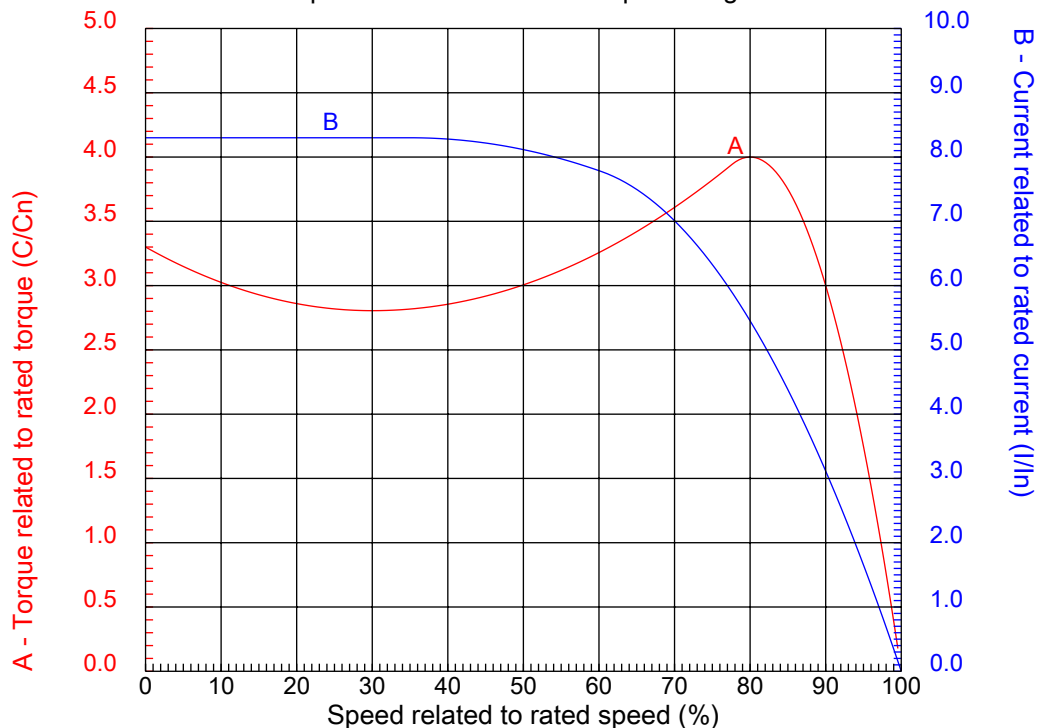
Dealers Industrial Equipment

No.:

Date: 23-SEP-2016

CHARACTERISTIC CURVES RELATED TO SPEED

Three-phase induction motor - Squirrel cage rotor



Customer :
Product line : Three-Phase: W22 IE3 IEC Tru-Metric - TEFC (IP55) Cast Iron Frame

Frame	: 160L	Locked rotor current (I _l /I _n)	: 8.3
Output	: 20 HP	Duty cycle	: S1
Frequency	: 60 Hz	Service factor	: 1.25
Full load speed	: 1775 rpm	Design	: ---
Voltage	: 460 V	Locked rotor torque	: 330 %
Rated current	: 25.0 A	Breakdown torque	: 400 %
Insulation class	: F		

Notes:
Downloaded from <http://dealerselectric.com>
Generated for Model #01518ET3Y160L-W22

Performed by

Checked

1 2 3 4 5 6 7 8

A

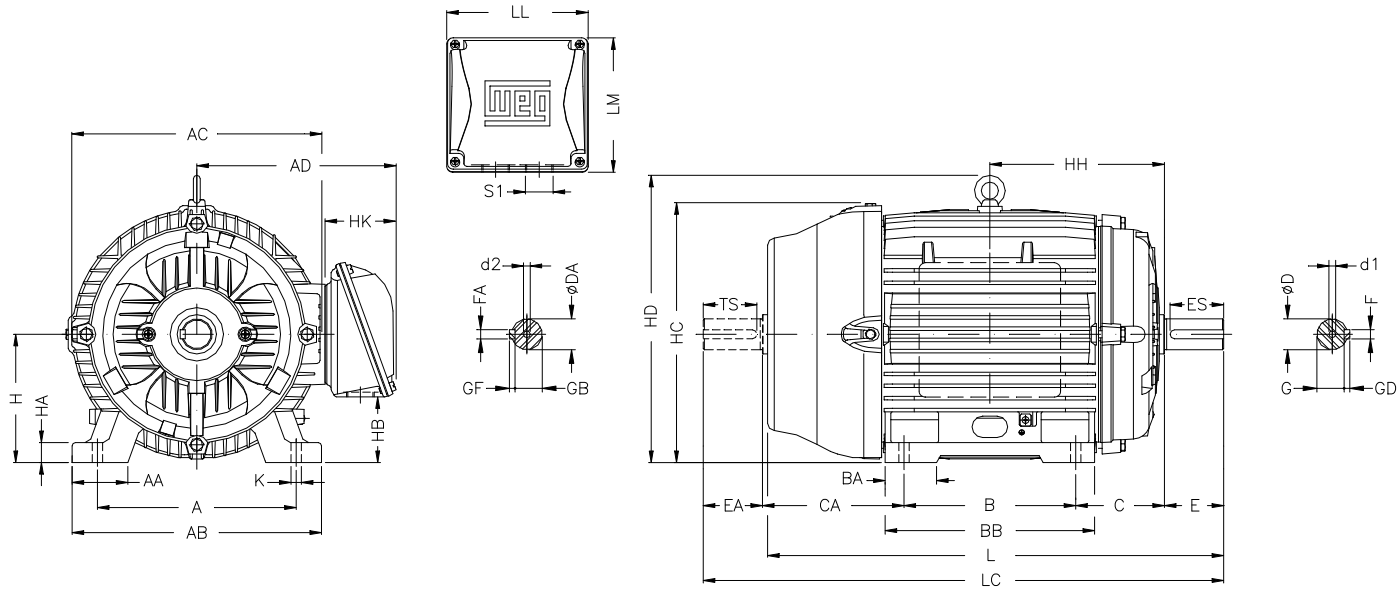
B

C

D

E

F



Notes: Downloaded from <http://dealerselectric.com>
Generated for Model #01518ET3Y160L-W22

A 254	AA 64	AB 308	AC 329	AD 266
B 254	BA 63	BB 298	C 108	CA 174
D 42k6	E 110	ES 80	F 12	G 37
GD 8	DA 42k6	EA 110	TS 80	FA 12
GB 37	GF 8	H 160	HA 22	HC 331
HD 374	K 14.5	L 642	LC 756	S1 2xM40x1,5
d1 DM16	d2 DM16			

Performed by:

Checked:

Customer:

Three-Phase: W22 IE3 IEC Tru-Metric - TEFC (IP55) Cast Iron Frame

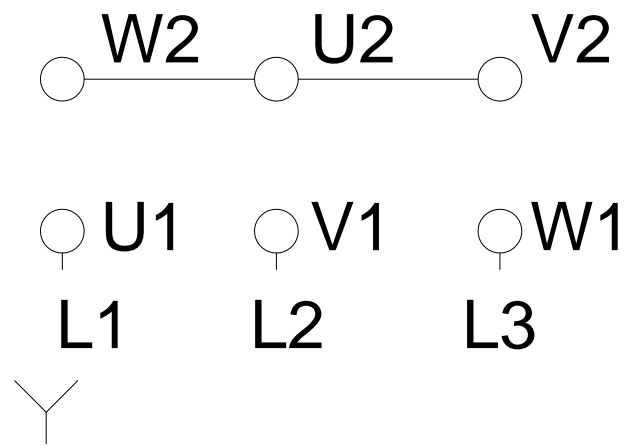
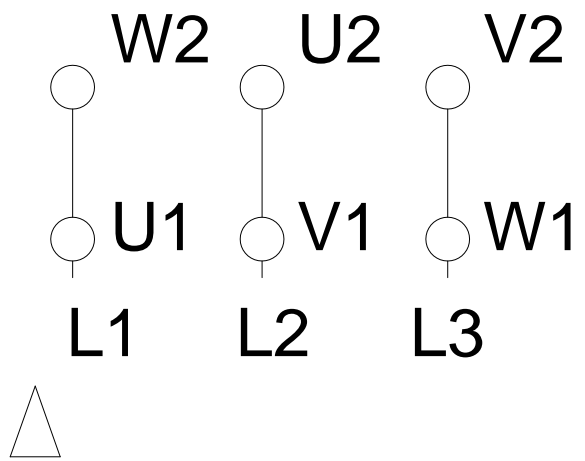
Three-phase induction motor
Frame 160L - IP55

23-SEP-2016



LOW VOLTAGE

HIGH VOLTAGE



Notes: Downloaded from http://dealerselectric.com Generated for Model #01518ET3Y160L-W22		
Performed by:		
Checked:		
Customer:		
Three-Phase: W22 IE3 IEC Tru-Metric - TEFC (IP55) Cast Iron Frame		
Three-phase induction motor Frame 160L - IP55	23-SEP-2016	