



Dealers Industrial Equipment

No.:

Date: 23-SEP-2016

Customer :

TECHNICAL PROPOSAL

Three-phase induction motor - Squirrel cage rotor

Product line : W22 Cooling Tower Motors: NEMA Premium - TEAO

Catalog Number : 01518AT3PCT254TF1-W2

List Price : \$2,186

Notes:

Downloaded from <http://dealerselectric.com>

Generated for Model #01518AT3PCT254TF1-W2

Performed by:

Checked:



Dealers Industrial Equipment

No.:

Date: 23-SEP-2016

DATA SHEET Three-phase induction motor - Squirrel cage rotor

Customer :
Product line : W22 Cooling Tower Motors: NEMA Premium - TEAO

Frame : 254T
Output : 15 HP
Frequency : 60 Hz
Poles : 4
Full load speed : 1765 rpm
Slip : 1.94 %
Voltage : 200 V
Rated current : 41.4 A
Locked rotor current : 265 A
Locked rotor current (I_L/I_n) : 6.4
No-load current : 18.4 A
Full load torque : 44.0 lb.ft
Locked rotor torque : 230 %
Breakdown torque : 270 %
Design : B
Insulation class : F
Temperature rise : 80 K
Locked rotor time : 17 s (hot)
Service factor : 1.25
Duty cycle : S1
Ambient temperature : -20°C - +40°C
Altitude : 1000 m
Degree of Protection : IP55
Approximate weight : 251 lb
Moment of inertia : 2.6198 sq.ft.lb
Noise level : 64 dB(A)

| | D.E. | N.D.E. |
|---------------------|-------------|-------------|
| Bearings | 6309 2RS-C3 | 6209 2RS-C3 |
| Regreasing interval | --- | --- |
| Grease amount | --- | --- |

| Load | Power factor | Efficiency (%) |
|------|--------------|----------------|
| 100% | 0.83 | 92.4 |
| 75% | 0.78 | 91.7 |
| 50% | 0.68 | 91.0 |

Notes:
Downloaded from <http://dealerselectric.com>
Generated for Model #01518AT3PCT254TF1-W2

Performed by

Checked



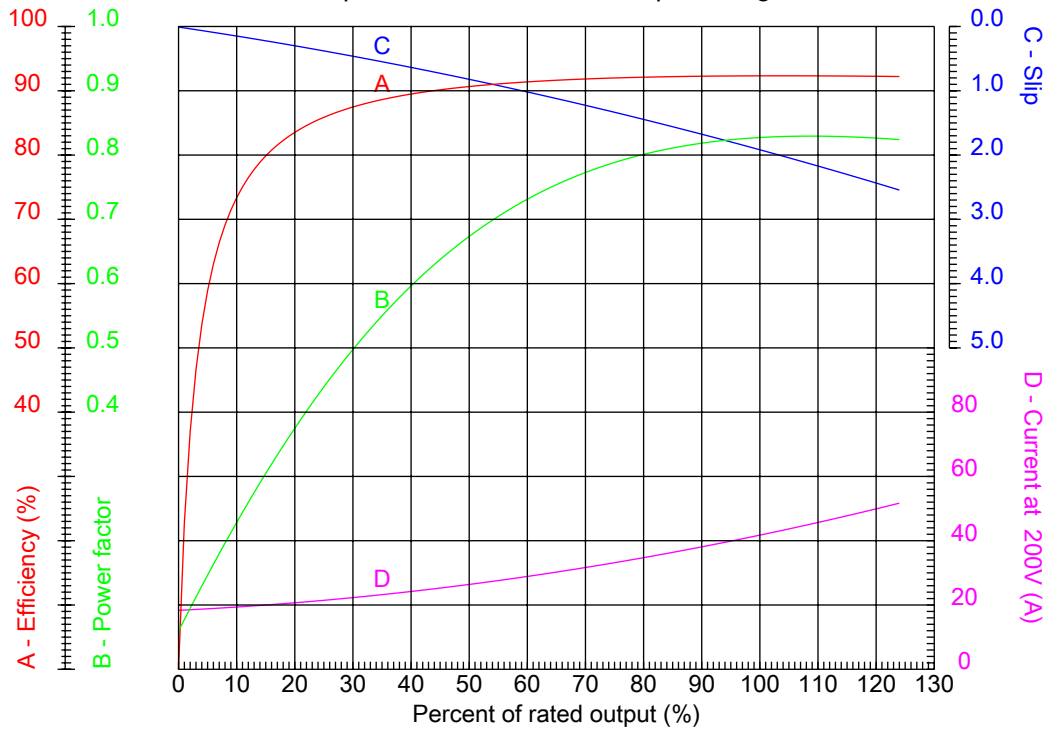
Dealers Industrial Equipment

No.:

Date: 23-SEP-2016

PERFORMANCE CURVES RELATED TO RATED OUTPUT

Three-phase induction motor - Squirrel cage rotor



Customer :
 Product line : W22 Cooling Tower Motors: NEMA Premium - TEAO

| | |
|----------------------------|--|
| Frame : 254T | Locked rotor current (I _l /I _n) : 6.4 |
| Output : 15 HP | Duty cycle : S1 |
| Frequency : 60 Hz | Service factor : 1.25 |
| Full load speed : 1765 rpm | Design : B |
| Voltage : 200 V | Locked rotor torque : 230 % |
| Rated current : 41.4 A | Breakdown torque : 270 % |
| Insulation class : F | |

Notes:
 Downloaded from <http://dealerselectric.com>
 Generated for Model #01518AT3PCT254TF1-W2

Performed by

Checked



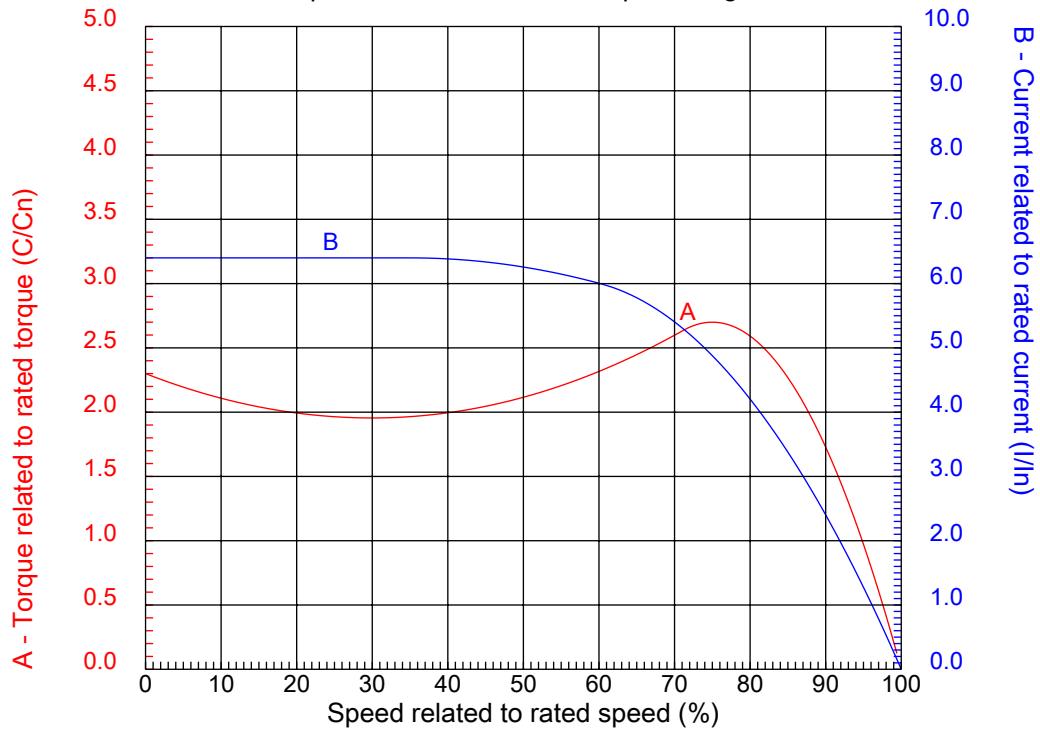
Dealers Industrial Equipment

No.:

Date: 23-SEP-2016

CHARACTERISTIC CURVES RELATED TO SPEED

Three-phase induction motor - Squirrel cage rotor



Customer :
Product line : W22 Cooling Tower Motors: NEMA Premium - TEAO

| | | | |
|------------------|------------|--|---------|
| Frame | : 254T | Locked rotor current (I _l /I _n) | : 6.4 |
| Output | : 15 HP | Duty cycle | : S1 |
| Frequency | : 60 Hz | Service factor | : 1.25 |
| Full load speed | : 1765 rpm | Design | : B |
| Voltage | : 200 V | Locked rotor torque | : 230 % |
| Rated current | : 41.4 A | Breakdown torque | : 270 % |
| Insulation class | : F | | |

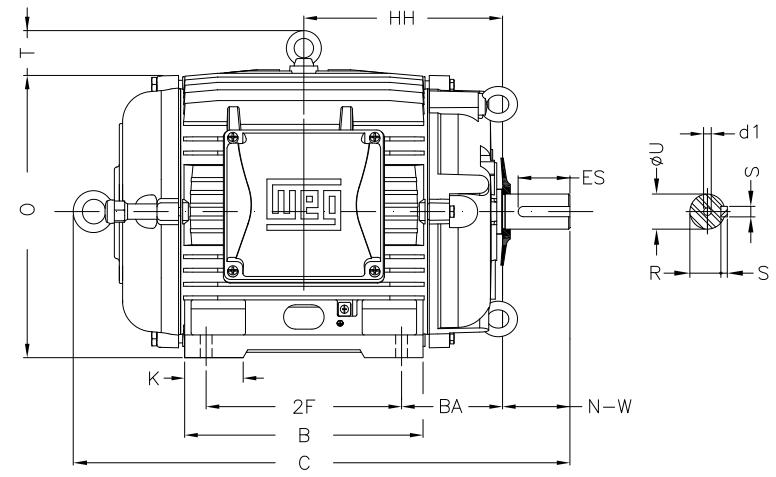
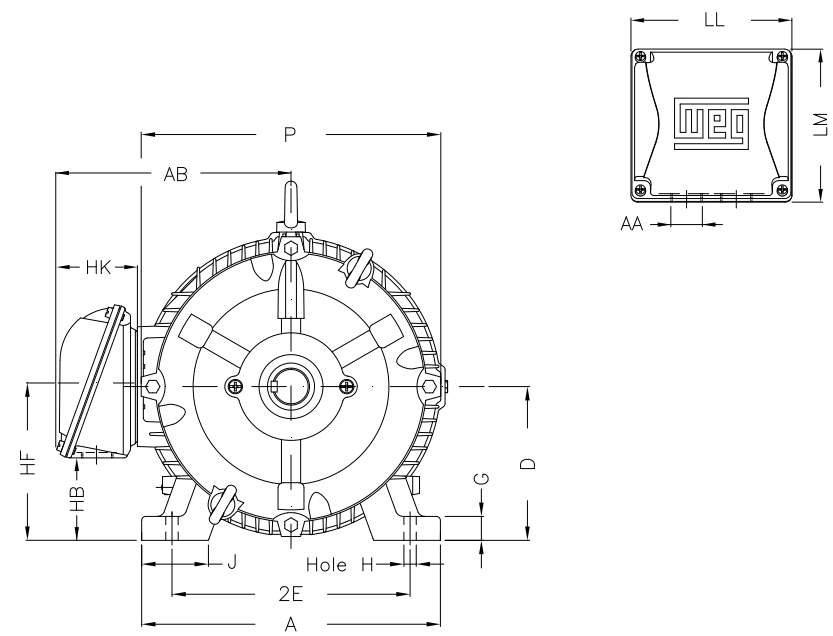
Notes:
Downloaded from <http://dealerselectric.com>
Generated for Model #01518AT3PCT254TF1-W2

Performed by

Checked

1 2 3 4 5 6 7 8

A
B
C
D
E
F



Notes: Downloaded from <http://dealerselectric.com>
Generated for Model #01518AT3PCT254TF1-W2

Performed by:

Checked:

Customer:

W22 Cooling Tower Motors: NEMA Premium - TEAO

| | | | | |
|--------------|-------------|------------------|-------------|----------------|
| 2E 10.000 | J 2.539 | A 12.126 | P 12.480 | AB 10.483 |
| 2F 8.252 | K 2.559 | B 10.000 | BA 4.250 | U 1.625 |
| N-W 4.000 | ES 2.756 | S 0.375 | R 1.416 | depth 0.375 |
| D 6.250 | G 0.827 | HB 3.061 | O 12.598 | T 2.087 |
| HF 6.565 | HH 8.376 | HK 3.976 | H 0.531 | C 21.594 |
| LL 7.815 | LM 7.480 | AA NPT 1 1/2" | d1 A 4 | |

Three-phase induction motor
Frame 254T - IP55

23-SEP-2016



1 2 3 4 5 6 7 8


A
B
C
D
E
F

RUN



ONLY FOR START



| | | |
|---|-------------|---|
| Notes: Downloaded from http://dealerselectric.com Generated for Model #01518AT3PCT254TF1-W2 | | |
| Performed by: | | |
| Checked: | | |
| Customer: | | |
| W22 Cooling Tower Motors: NEMA Premium - TEAO | | |
| Three-phase induction motor Frame 254T - IP55 | 23-SEP-2016 |  |