



# Dealers Industrial Equipment

No.:

Date: 23-SEP-2016

Customer :

## TECHNICAL PROPOSAL

### Three-phase induction motor - Squirrel cage rotor

Product line : Oil Well Pumping : High Slip - NEMA Design "D" - ODP

Catalog Number : 01512OS3EOW284T

List Price : \$2,441

#### Notes:

Downloaded from <http://dealerselectric.com>

Generated for Model #01512OS3EOW284T

Performed by:

Checked:



# Dealers Industrial Equipment

No.:

Date: 23-SEP-2016

## DATA SHEET Three-phase induction motor - Squirrel cage rotor

Customer :  
 Product line : Oil Well Pumping : High Slip - NEMA Design "D" - ODP

Frame : 284T  
 Output : 15 HP  
 Frequency : 60 Hz  
 Poles : 6  
 Full load speed : 1105 rpm  
 Slip : 7.92 %  
 Voltage : 208-230/460 V  
 Rated current : 40.0-36.2/18.1 A  
 Locked rotor current : 224/112 A  
 Locked rotor current (I<sub>L</sub>/I<sub>n</sub>) : 6.2  
 No-load current : 11.2/5.60 A  
 Full load torque : 70.3 lb.ft  
 Locked rotor torque : 280 %  
 Breakdown torque : 0 %  
 Design : D  
 Insulation class : F  
 Temperature rise : 80 K  
 Locked rotor time : 15 s (hot)  
 Service factor : 1.00  
 Duty cycle : S1  
 Ambient temperature : -20°C - +40°C  
 Altitude : 1000 m  
 Degree of Protection : IP23  
 Approximate weight : 331 lb  
 Moment of inertia : 5.2356 sq.ft.lb  
 Noise level : 58 dB(A)

	D.E.	N.D.E.
Bearings	6311 Z-C3	6211 Z-C3
Regreasing interval	20000 h	20000 h
Grease amount	18 g	11 g

Load	Power factor	Efficiency (%)
100%	0.88	86.5
75%	0.84	87.0
50%	0.75	86.5

Notes:  
 Downloaded from <http://dealerselectric.com>  
 Generated for Model #01512OS3EOW284T

Performed by

Checked



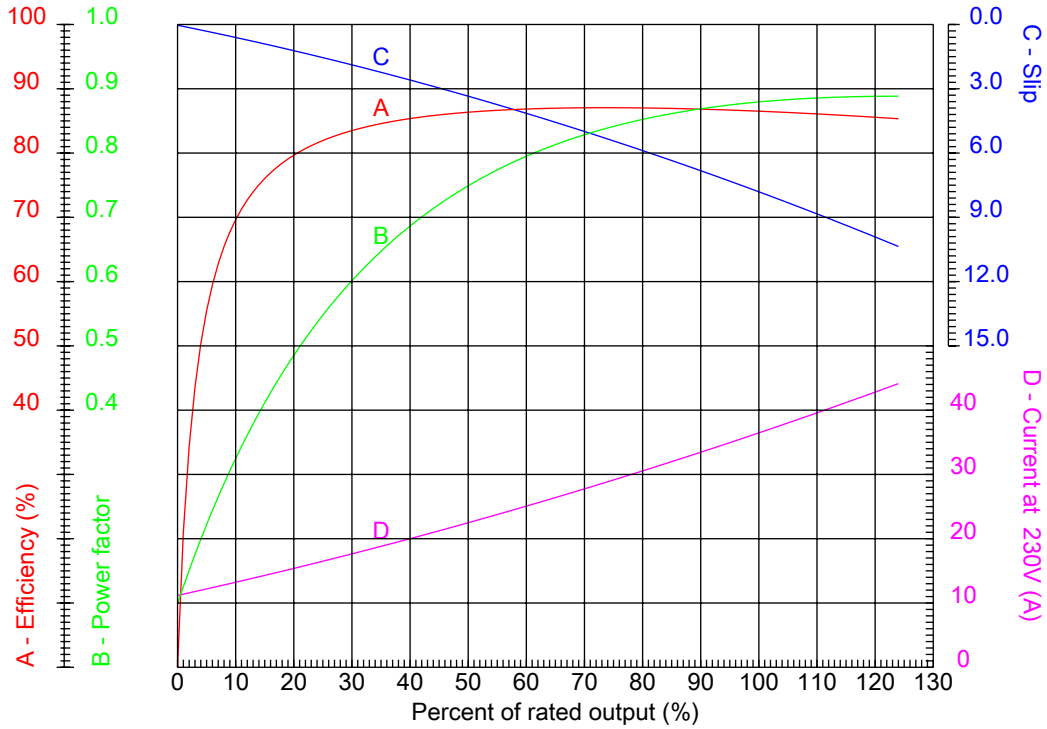
# Dealers Industrial Equipment

No.:

Date: 23-SEP-2016

## PERFORMANCE CURVES RELATED TO RATED OUTPUT

Three-phase induction motor - Squirrel cage rotor



Customer :  
 Product line : Oil Well Pumping : High Slip - NEMA Design "D" - ODP

Frame	: 284T	Locked rotor current (I <sub>L</sub> /I <sub>n</sub> )	: 6.2
Output	: 15 HP	Duty cycle	: S1
Frequency	: 60 Hz	Service factor	: 1.00
Full load speed	: 1105 rpm	Design	: D
Voltage	: 208-230/460 V	Locked rotor torque	: 280 %
Rated current	: 40.0-36.2/18.1 A	Breakdown torque	: 0 %
Insulation class	: F		

Notes:  
 Downloaded from <http://dealerselectric.com>  
 Generated for Model #01512OS3EOW284T

Performed by

Checked



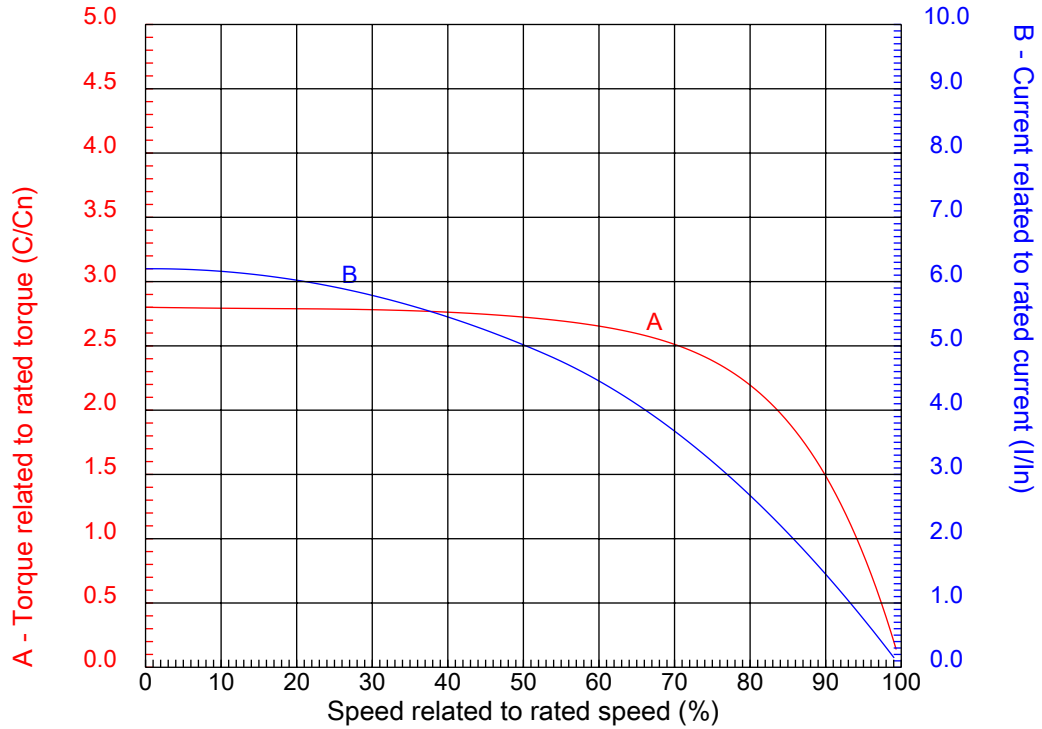
# Dealers Industrial Equipment

No.:

Date: 23-SEP-2016

## CHARACTERISTIC CURVES RELATED TO SPEED

Three-phase induction motor - Squirrel cage rotor



Customer :  
Product line : Oil Well Pumping : High Slip - NEMA Design "D" - ODP

Frame	: 284T	Locked rotor current (I <sub>l</sub> /I <sub>n</sub> )	: 6.2
Output	: 15 HP	Duty cycle	: S1
Frequency	: 60 Hz	Service factor	: 1.00
Full load speed	: 1105 rpm	Design	: D
Voltage	: 208-230/460 V	Locked rotor torque	: 280 %
Rated current	: 40.0-36.2/18.1 A	Breakdown torque	: 238 %
Insulation class	: F		

Notes:  
Downloaded from <http://dealerselectric.com>  
Generated for Model #01512OS3EOW284T

Performed by

Checked

1 2 3 4 5 6 7 8

A

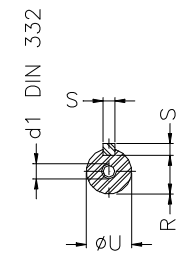
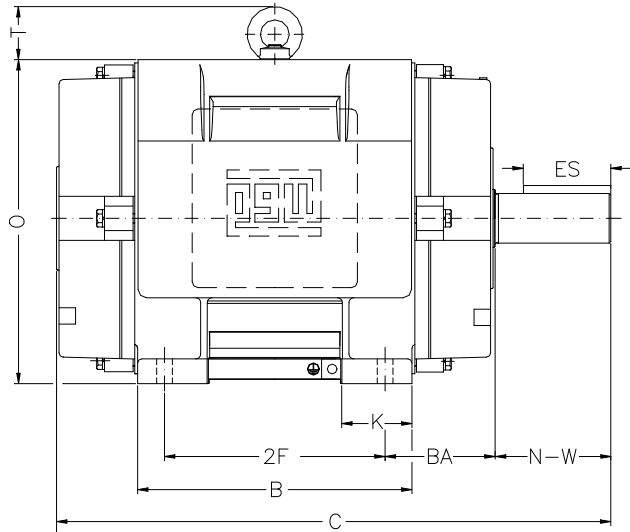
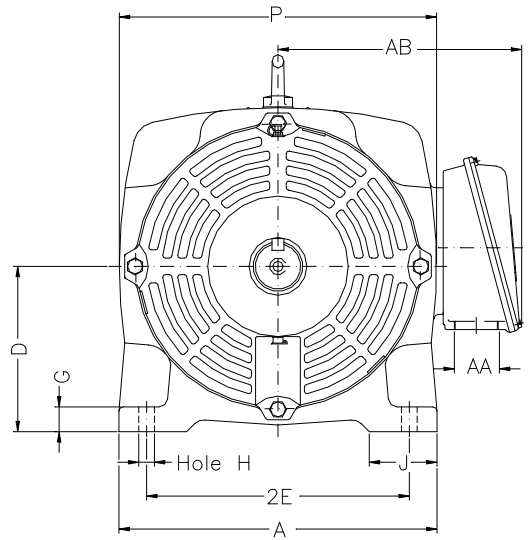
B

C

D

E

F



Notes: Downloaded from <http://dealerselectric.com>  
Generated for Model #01512OS3EOW284T

Performed by:

Checked:

Customer:

Oil Well Pumping : High Slip - NEMA Design "D" - ODP

Three-phase induction motor  
Frame 284T - IP23

23-SEP-2016



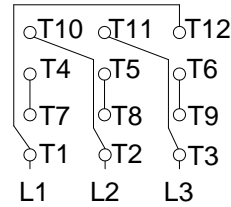
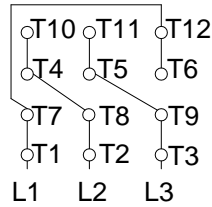
2E 11.000	A 13.780	2F 9.500	B 11.574	BA 4.750
J 3.150	K 2.960	P 13.700	ES 3.149	depth 0.500
S 0.500	N-W 4.622	U 1.875	R 1.594	AB 10.886
D 7.000	G 1.102	O 13.858	T 2.165	H 0.531
C 23.386	AA NPT 1 1/2"	d1 A 4	d2 A 4	

1 2 3 4 5 6 7 8

A  
B  
C  
D  
E  
F

LOW VOLTAGE

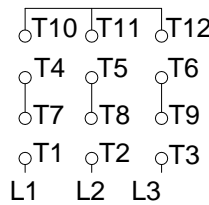
HIGH VOLTAGE



CONNECTIONS FOR STARTING ONLY:

LOW VOLTAGE

HIGH VOLTAGE



Notes: Downloaded from <http://dealerselectric.com>  
Generated for Model #01512OS3EOW284T

Performed by:

Checked:

Customer:

Oil Well Pumping : High Slip - NEMA Design "D" - ODP

Three-phase induction motor  
Frame 284T - IP23

23-SEP-2016

