



Dealers Industrial Equipment

No.:

Date: 23-SEP-2016

Customer :

TECHNICAL PROPOSAL

Three-phase induction motor - Squirrel cage rotor

Product line : Three-Phase: W22 IE3 IEC Tru-Metric - TEFC (IP55) Cast Iron Frame

Catalog Number : 01512ET3Y180L-W22

List Price : \$3,884

Notes:

Downloaded from <http://dealerselectric.com>

Generated for Model #01512ET3Y180L-W22

Performed by:

Checked:



Dealers Industrial Equipment

No.:

Date: 23-SEP-2016

DATA SHEET Three-phase induction motor - Squirrel cage rotor

Customer :
 Product line : Three-Phase: W22 IE3 IEC Tru-Metric - TEFC (IP55) Cast Iron Frame

Frame : 180L
 Output : 20 HP
 Frequency : 60 Hz
 Poles : 6
 Full load speed : 1180 rpm
 Slip : 1.67 %
 Voltage : 460 V
 Rated current : 24.7 A
 Locked rotor current : 227 A
 Locked rotor current (I_L/I_n) : 9.2
 No-load current : 10.7 A
 Full load torque : 87.8 lb.ft
 Locked rotor torque : 300 %
 Breakdown torque : 390 %
 Design : ---
 Insulation class : F
 Temperature rise : 80 K
 Locked rotor time : 13 s (hot)
 Service factor : 1.25
 Duty cycle : S1
 Ambient temperature : -20°C - +40°C
 Altitude : 1000 m
 Degree of Protection : IP55
 Approximate weight : 426 lb
 Moment of inertia : 7.6873 sq.ft.lb
 Noise level : 59 dB(A)

	D.E.	N.D.E.
Bearings	6311 C3	6211 C3
Regreasing interval	20000 h	20000 h
Grease amount	18 g	11 g

Load	Power factor	Efficiency (%)
100%	0.83	91.7
75%	0.79	91.7
50%	0.68	91.0

Notes:
 Downloaded from <http://dealerselectric.com>
 Generated for Model #01512ET3Y180L-W22

Performed by

Checked



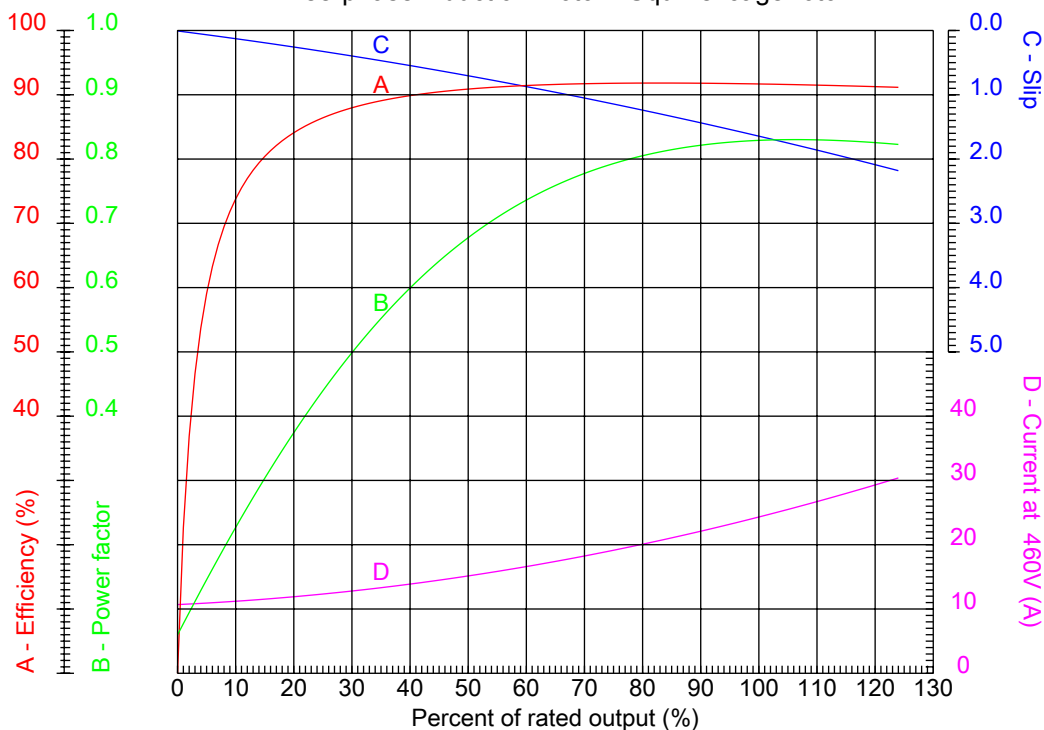
Dealers Industrial Equipment

No.:

Date: 23-SEP-2016

PERFORMANCE CURVES RELATED TO RATED OUTPUT

Three-phase induction motor - Squirrel cage rotor



Customer :
 Product line : Three-Phase: W22 IE3 IEC Tru-Metric - TEFC (IP55) Cast Iron Frame

Frame	: 180L	Locked rotor current (I _l /I _n)	: 9.2
Output	: 20 HP	Duty cycle	: S1
Frequency	: 60 Hz	Service factor	: 1.25
Full load speed	: 1180 rpm	Design	: ---
Voltage	: 460 V	Locked rotor torque	: 300 %
Rated current	: 24.7 A	Breakdown torque	: 390 %
Insulation class	: F		

Notes:
 Downloaded from <http://dealerselectric.com>
 Generated for Model #01512ET3Y180L-W22

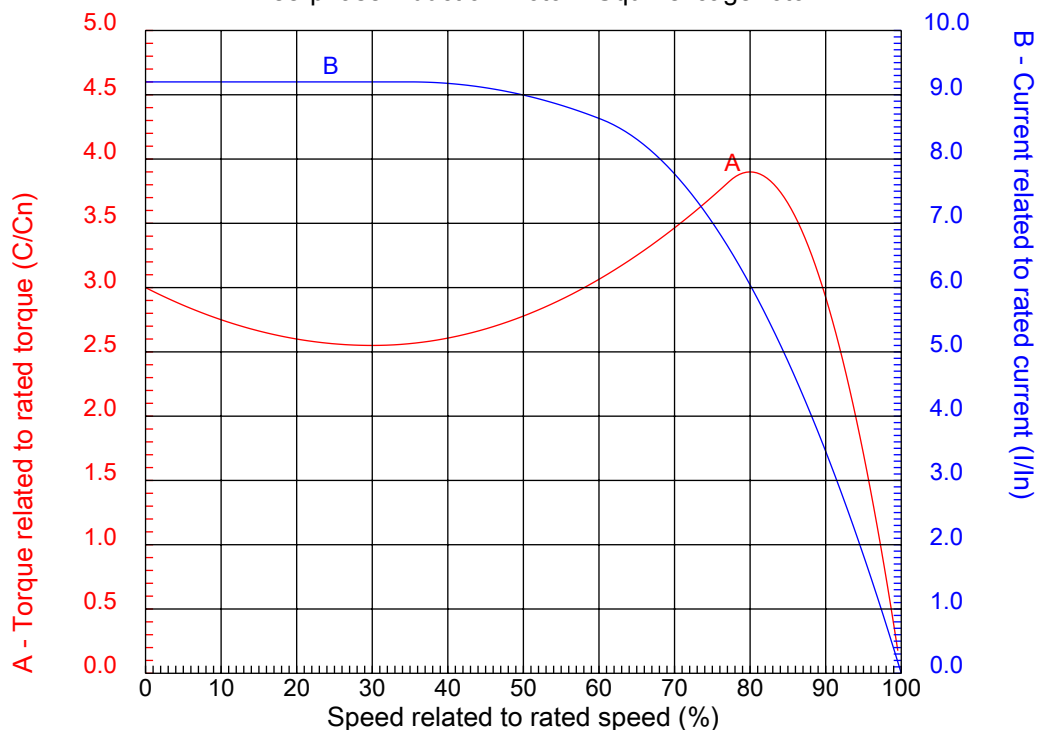
Performed by

Checked



CHARACTERISTIC CURVES RELATED TO SPEED

Three-phase induction motor - Squirrel cage rotor



Customer :
Product line : Three-Phase: W22 IE3 IEC Tru-Metric - TEFC (IP55) Cast Iron Frame

Frame	: 180L	Locked rotor current (I _l /I _n)	: 9.2
Output	: 20 HP	Duty cycle	: S1
Frequency	: 60 Hz	Service factor	: 1.25
Full load speed	: 1180 rpm	Design	: ---
Voltage	: 460 V	Locked rotor torque	: 300 %
Rated current	: 24.7 A	Breakdown torque	: 390 %
Insulation class	: F		

Notes:
Downloaded from <http://dealerselectric.com>
Generated for Model #01512ET3Y180L-W22

Performed by

Checked

1 2 3 4 5 6 7 8

A

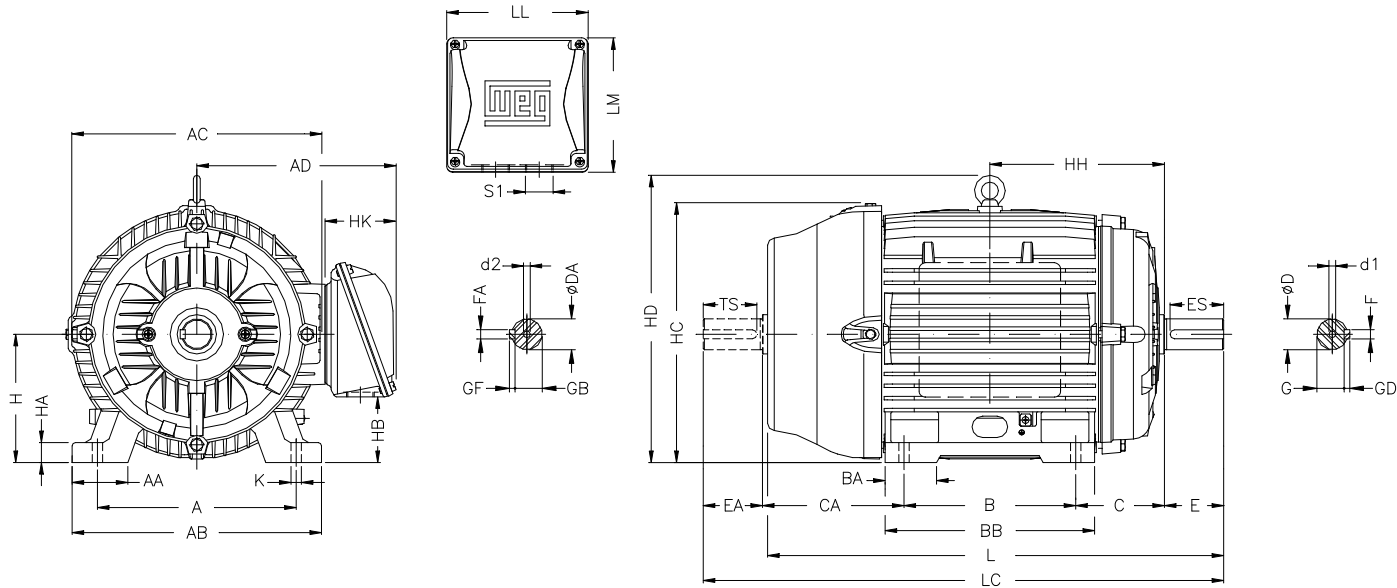
B

C

D

E

F



Notes: Downloaded from <http://dealerselectric.com>
Generated for Model #01512ET3Y180L-W22

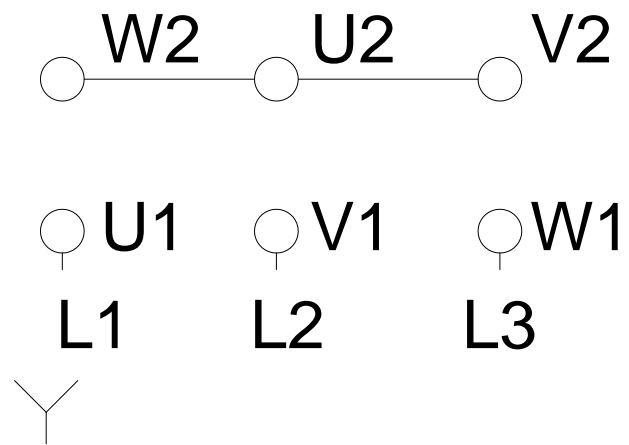
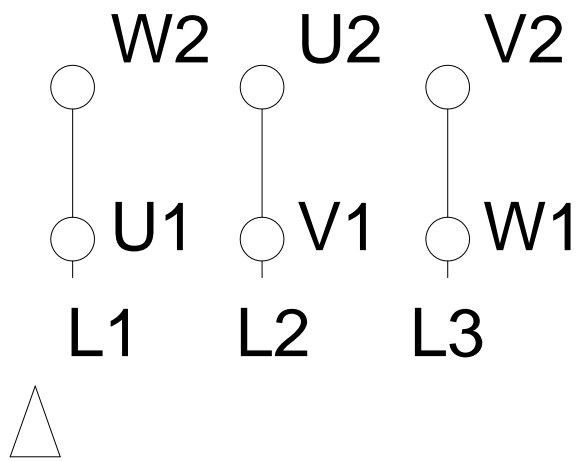
A 279	AA 78	AB 350	AC 360	AD 281
B 279	BA 70	BB 332	C 121	CA 200
D 48k6	E 110	ES 80	F 14	G 42.5
GD 9	DA 48k6	EA 110	TS 80	FA 14
GB 42.5	GF 9	H 180	HA 28	HC 366
HD 413	K 14.5	L 702	LC 820	S1 2xM40x1,5
d1 DM16	d2 DM16			

Performed by:	
Checked:	
Customer:	
Three-Phase: W22 IE3 IEC Tru-Metric - TEFC (IP55) Cast Iron Frame	
Three-phase induction motor Frame 180L - IP55	23-SEP-2016



LOW VOLTAGE

HIGH VOLTAGE



Notes: Downloaded from http://dealerselectric.com Generated for Model #01512ET3Y180L-W22		
Performed by:		
Checked:		
Customer:		
Three-Phase: W22 IE3 IEC Tru-Metric - TEFC (IP55) Cast Iron Frame		
Three-phase induction motor Frame 180L - IP55	23-SEP-2016	