



Dealers Industrial Equipment

No.:

Date: 23-SEP-2016

Customer :

TECHNICAL PROPOSAL

Three-phase induction motor - Squirrel cage rotor

Product line : Oil Well Pumping : High Slip - NEMA Design "D" - TEFC (IP55)

Catalog Number : 01512ES3EOW284T

List Price : \$2,679

Notes:

Downloaded from <http://dealerselectric.com>

Generated for Model #01512ES3EOW284T

Performed by:

Checked:



Dealers Industrial Equipment

No.:

Date: 23-SEP-2016

DATA SHEET Three-phase induction motor - Squirrel cage rotor

Customer :
 Product line : Oil Well Pumping : High Slip - NEMA Design "D" - TEFC (IP55)

Frame : 284T
 Output : 15 HP
 Frequency : 60 Hz
 Poles : 6
 Full load speed : 1115 rpm
 Slip : 7.08 %
 Voltage : 208-230/460 V
 Rated current : 40.8-36.9/18.5 A
 Locked rotor current : 225/113 A
 Locked rotor current (I_L/I_n) : 6.1
 No-load current : 11.0/5.50 A
 Full load torque : 69.7 lb.ft
 Locked rotor torque : 300 %
 Breakdown torque : 0 %
 Design : D
 Insulation class : F
 Temperature rise : 80 K
 Locked rotor time : 16 s (hot)
 Service factor : 1.15
 Duty cycle : S1
 Ambient temperature : -20°C - +40°C
 Altitude : 1000 m
 Degree of Protection : IP55
 Approximate weight : 391 lb
 Moment of inertia : 7.1992 sq.ft.lb
 Noise level : 59 dB(A)

	D.E.	N.D.E.
Bearings	6311 C3	6211 C3
Regreasing interval	20000 h	20000 h
Grease amount	18 g	11 g

Load	Power factor	Efficiency (%)
100%	0.88	85.0
75%	0.85	86.0
50%	0.78	85.0

Notes:
 Downloaded from <http://dealerselectric.com>
 Generated for Model #01512ES3EOW284T

Performed by

Checked



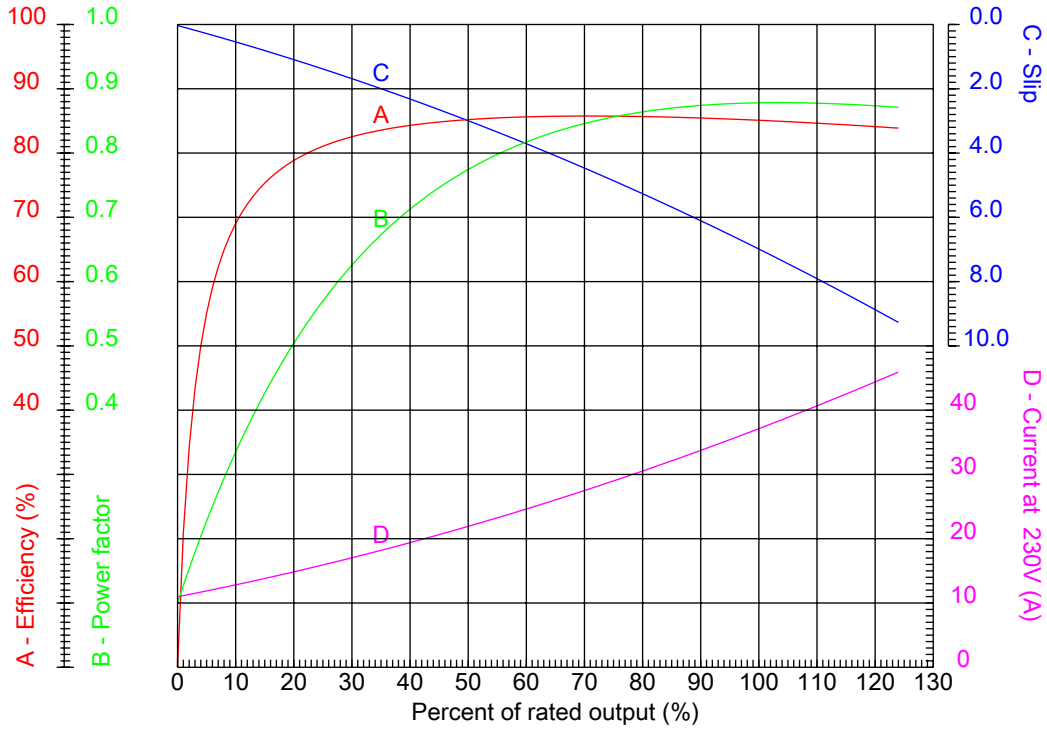
Dealers Industrial Equipment

No.:

Date: 23-SEP-2016

PERFORMANCE CURVES RELATED TO RATED OUTPUT

Three-phase induction motor - Squirrel cage rotor



Customer :
 Product line : Oil Well Pumping : High Slip - NEMA Design "D" - TEFC (IP55)

Frame	: 284T	Locked rotor current (I _l /I _n)	: 6.1
Output	: 15 HP	Duty cycle	: S1
Frequency	: 60 Hz	Service factor	: 1.15
Full load speed	: 1115 rpm	Design	: D
Voltage	: 208-230/460 V	Locked rotor torque	: 300 %
Rated current	: 40.8-36.9/18.5 A	Breakdown torque	: 0 %
Insulation class	: F		

Notes:
 Downloaded from <http://dealerselectric.com>
 Generated for Model #01512ES3EOW284T

Performed by

Checked



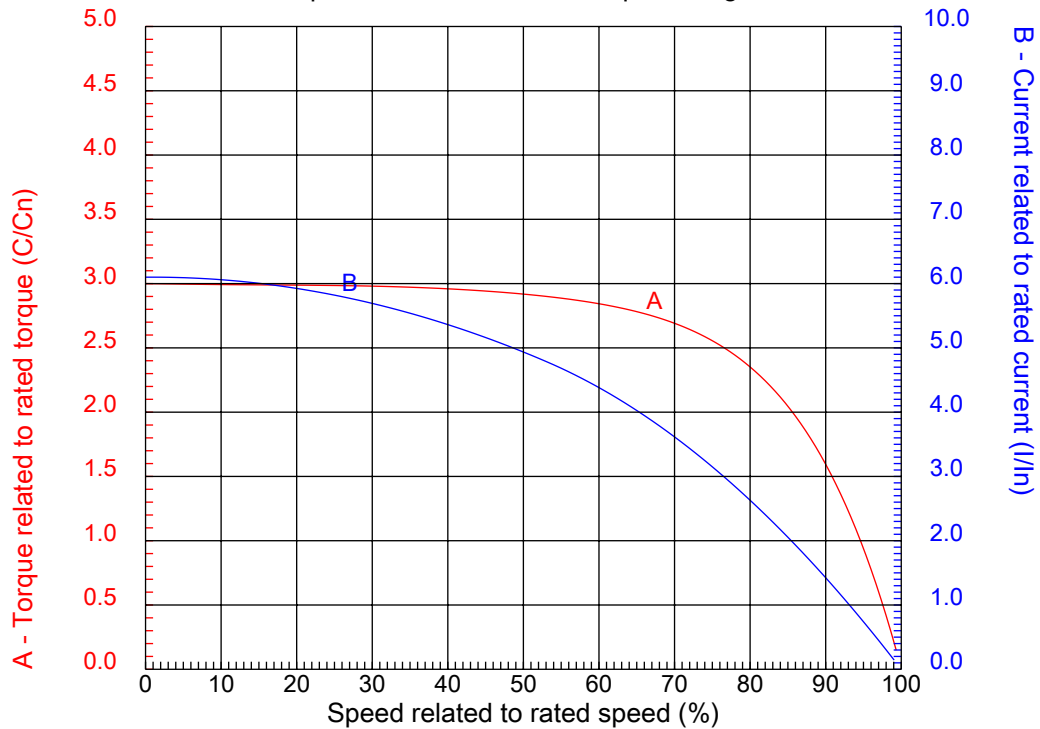
Dealers Industrial Equipment

No.:

Date: 23-SEP-2016

CHARACTERISTIC CURVES RELATED TO SPEED

Three-phase induction motor - Squirrel cage rotor



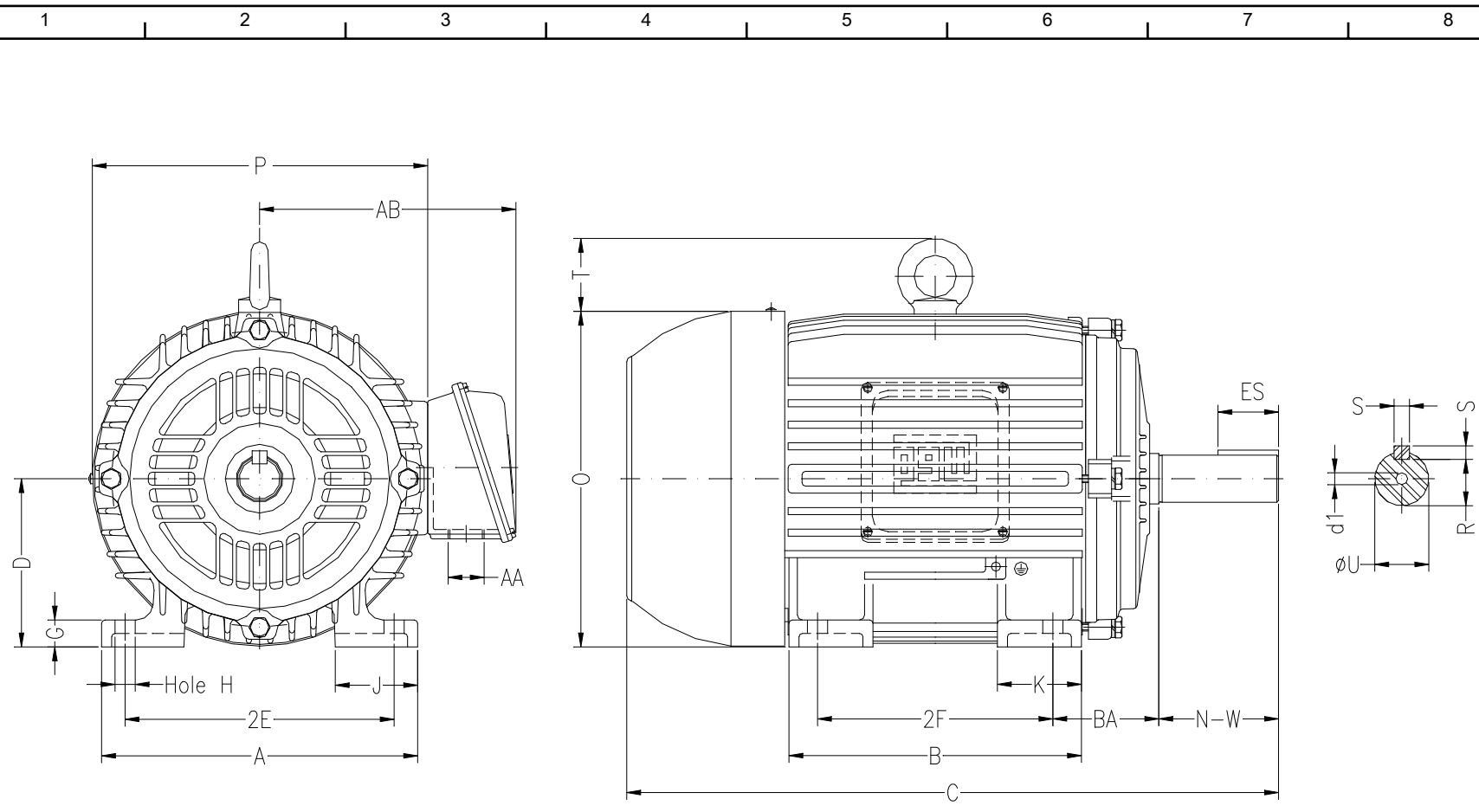
Customer :
Product line : Oil Well Pumping : High Slip - NEMA Design "D" - TEFC (IP55)

Frame	: 284T	Locked rotor current (I _l /I _n)	: 6.1
Output	: 15 HP	Duty cycle	: S1
Frequency	: 60 Hz	Service factor	: 1.15
Full load speed	: 1115 rpm	Design	: D
Voltage	: 208-230/460 V	Locked rotor torque	: 300 %
Rated current	: 40.8-36.9/18.5 A	Breakdown torque	: 255 %
Insulation class	: F		

Notes:
Downloaded from <http://dealerselectric.com>
Generated for Model #01512ES3EOW284T

Performed by

Checked



Notes: Downloaded from <http://dealerselectric.com>
 Generated for Model #01512ES3EOW284T

Performed by:

Checked:

Customer:

Oil Well Pumping : High Slip - NEMA Design "D" - TEFC (IP55)

2E	A	2F	B	BA
11.000	13.780	9.500	11.575	4.750
J	K	P	ES	depth
3.150	2.953	14.094	3.149	0.500
S	N-W	U	R	AB
0.500	4.622	1.875	1.594	10.866
D	G	O	T	H
7.000	1.016	14.067	2.087	0.531
C	AA	d1	d2	
26.433	NPT 1 1/2"	A 4	A 4	

Three-phase induction motor
 Frame 284T - IP55

23-SEP-2016



1 2 3 4 5 6 7 8

A
B
C
D
E
F

LOW VOLTAGE

HIGH VOLTAGE



CONNECTIONS FOR STARTING ONLY:

LOW VOLTAGE

HIGH VOLTAGE



Notes: Downloaded from <http://dealerselectric.com>
Generated for Model #01512ES3EOW284T

Performed by:

Checked:

Customer:

Oil Well Pumping : High Slip - NEMA Design "D" - TEFC (IP55)

Three-phase induction motor
Frame 284T - IP55

23-SEP-2016

