



Dealers Industrial Equipment

No.:

Date: 23-SEP-2016

Customer :

TECHNICAL PROPOSAL

Three-phase induction motor - Squirrel cage rotor

Product line : W22 Oil Well Pumping : High Slip - NEMA Design "D" - TEFC (IP55)

Catalog Number : 01512ES3EOW284T-W22

List Price : \$2,679

Notes:

Downloaded from <http://dealerselectric.com>

Generated for Model #01512ES3EOW284T-W22

Performed by:

Checked:



# Dealers Industrial Equipment

No.:

Date: 23-SEP-2016

## DATA SHEET Three-phase induction motor - Squirrel cage rotor

Customer :  
 Product line : W22 Oil Well Pumping : High Slip - NEMA Design "D" - TEFC (IP55)

Frame : 284/6T  
 Output : 15 HP  
 Frequency : 60 Hz  
 Poles : 6  
 Full load speed : 1110 rpm  
 Slip : 7.50 %  
 Voltage : 208-230/460 V  
 Rated current : 41.6-36.6/18.3 A  
 Locked rotor current : 223/112 A  
 Locked rotor current (I<sub>L</sub>/I<sub>n</sub>) : 6.1  
 No-load current : 11.0/5.50 A  
 Full load torque : 70.0 lb.ft  
 Locked rotor torque : 300 %  
 Breakdown torque : 0 %  
 Design : D  
 Insulation class : F  
 Temperature rise : 80 K  
 Locked rotor time : 16 s (hot)  
 Service factor : 1.15  
 Duty cycle : S1  
 Ambient temperature : -20°C - +40°C  
 Altitude : 1000 m  
 Degree of Protection : IP55  
 Approximate weight : 390 lb  
 Moment of inertia : 7.6876 sq.ft.lb  
 Noise level : 59 dB(A)

	D.E.	N.D.E.
Bearings	6311 C3	6211 C3
Regreasing interval	20000 h	20000 h
Grease amount	18 g	11 g

Load	Power factor	Efficiency (%)
100%	0.88	85.5
75%	0.85	86.5
50%	0.78	85.5

Notes:  
 Downloaded from <http://dealerselectric.com>  
 Generated for Model #01512ES3EOW284T-W22

Performed by

Checked



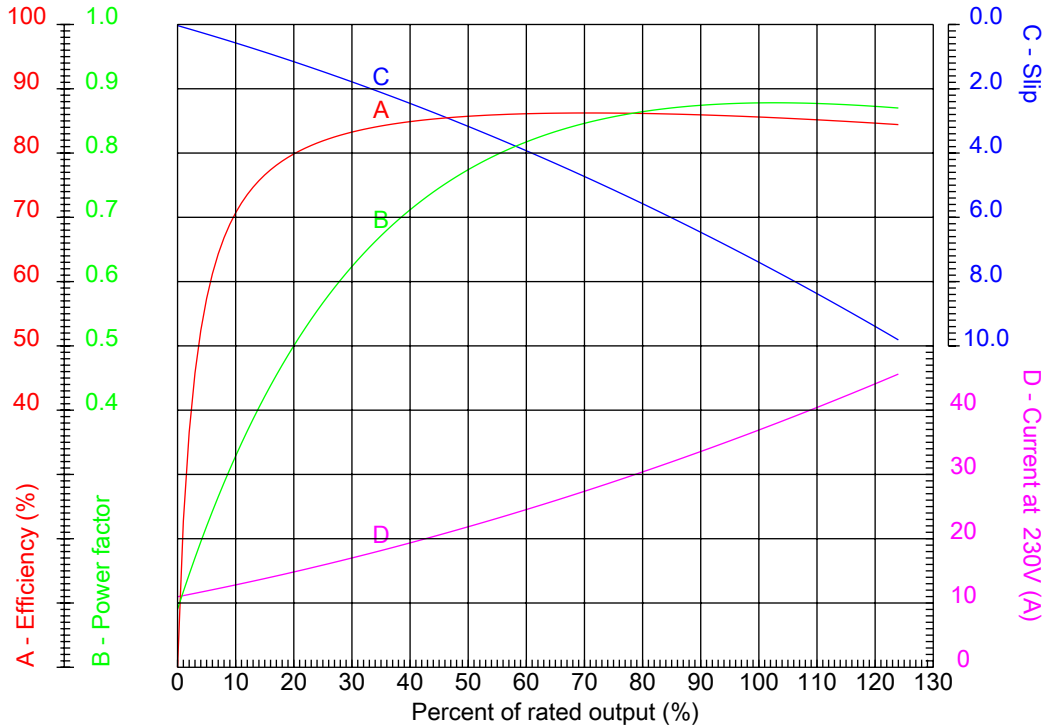
# Dealers Industrial Equipment

No.:

Date: 23-SEP-2016

## PERFORMANCE CURVES RELATED TO RATED OUTPUT

Three-phase induction motor - Squirrel cage rotor



Customer :  
 Product line : W22 Oil Well Pumping : High Slip - NEMA Design "D" - TEFC (IP55)

Frame	: 284/6T	Locked rotor current (I <sub>l</sub> /I <sub>n</sub> )	: 6.1
Output	: 15 HP	Duty cycle	: S1
Frequency	: 60 Hz	Service factor	: 1.15
Full load speed	: 1110 rpm	Design	: D
Voltage	: 208-230/460 V	Locked rotor torque	: 300 %
Rated current	: 41.6-36.6/18.3 A	Breakdown torque	: 0 %
Insulation class	: F		

Notes:  
 Downloaded from <http://dealerselectric.com>  
 Generated for Model #01512ES3EOW284T-W22

Performed by

Checked



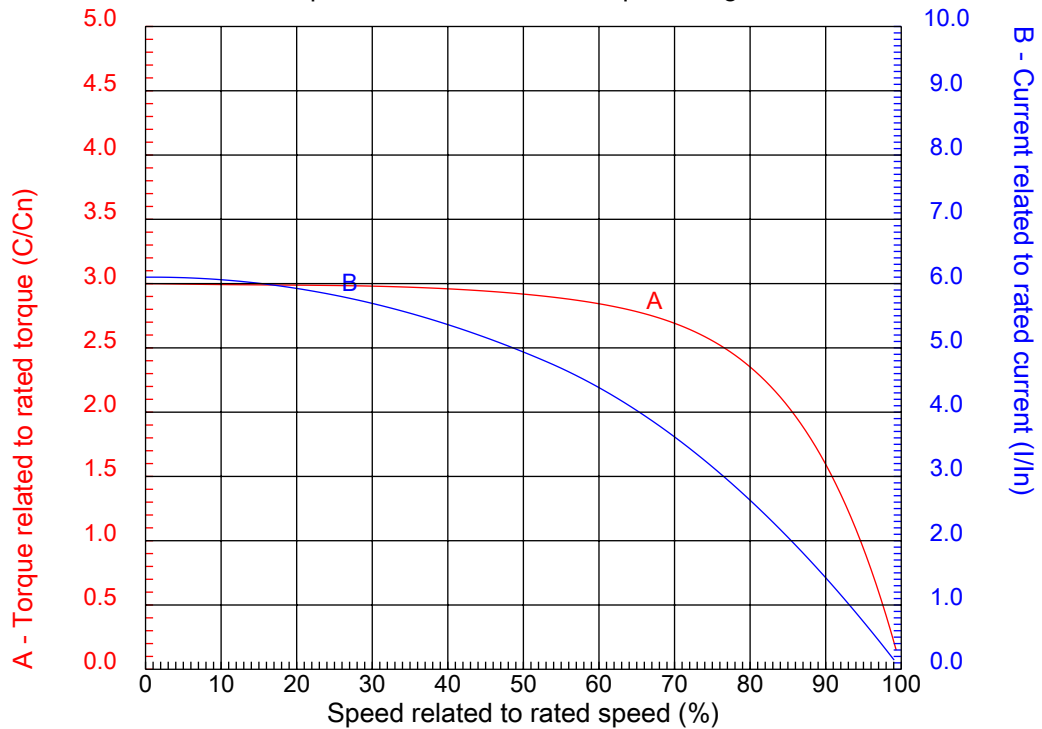
# Dealers Industrial Equipment

No.:

Date: 23-SEP-2016

## CHARACTERISTIC CURVES RELATED TO SPEED

Three-phase induction motor - Squirrel cage rotor



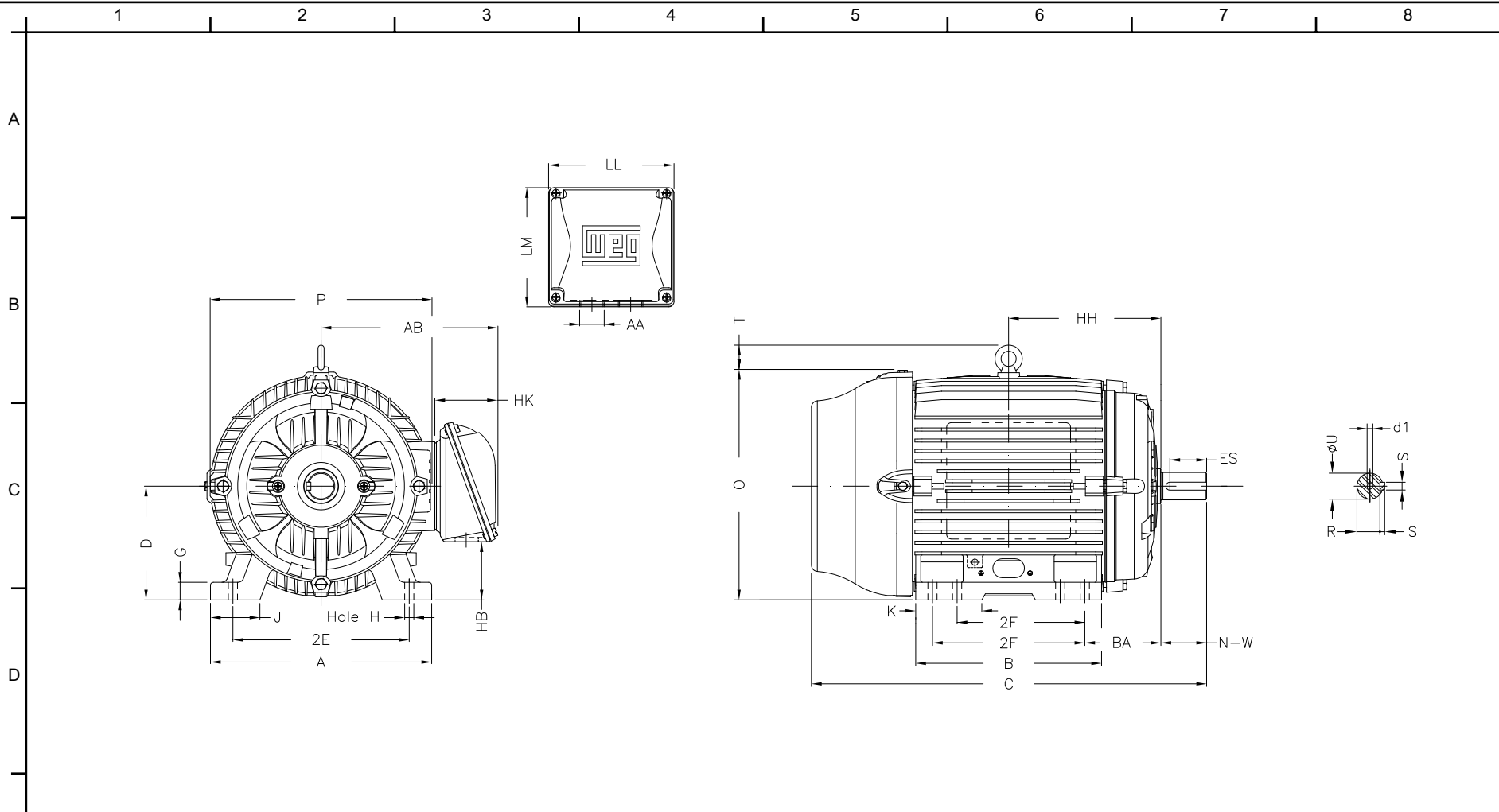
Customer :  
Product line : W22 Oil Well Pumping : High Slip - NEMA Design "D" - TEFC (IP55)

Frame	: 284/6T	Locked rotor current (I <sub>l</sub> /I <sub>n</sub> )	: 6.1
Output	: 15 HP	Duty cycle	: S1
Frequency	: 60 Hz	Service factor	: 1.15
Full load speed	: 1110 rpm	Design	: D
Voltage	: 208-230/460 V	Locked rotor torque	: 300 %
Rated current	: 41.6-36.6/18.3 A	Breakdown torque	: 255 %
Insulation class	: F		

Notes:  
Downloaded from <http://dealerselectric.com>  
Generated for Model #01512ES3EOW284T-W22

Performed by

Checked



Notes: Downloaded from <http://dealerselectric.com>  
 Generated for Model #01512ES3EOW284T-W22

2E 11.000	J 3.071	A 13.780	P 14.173	AB 11.073
2F 9.500/11.000	K 3.583	B 13.071	BA 4.750	FBA 7.876
U 1.875	N-W 4.622	ES 3.149	S 0.500	R 1.594
depth 0.500	D 7.000	G 1.023	HB 3.535	O 14.067
T 2.087	HF 7.000	HH 10.250	HK 3.976	H 0.531
C 27.929	LL 7.815	LM 7.480	AA NPT 1 1/2"	d1 A 4
d2 A 4				

Performed by:  
 Checked:  
 Customer:  
 W22 Oil Well Pumping : High Slip - NEMA Design "D" - TEFC (IP55)  
 Three-phase induction motor  
 Frame 284/6T - IP55  
 23-SEP-2016



1 2 3 4 5 6 7 8

A

LOW VOLTAGE

HIGH VOLTAGE

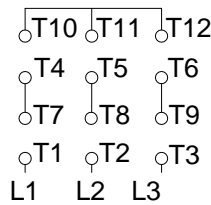
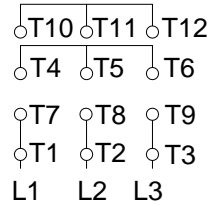


B

CONNECTIONS FOR STARTING ONLY:

LOW VOLTAGE

HIGH VOLTAGE



C

D

E

F

Notes: Downloaded from <http://dealerselectric.com>  
Generated for Model #01512ES3EOW284T-W22

Performed by:

Checked:

Customer:

W22 Oil Well Pumping : High Slip - NEMA Design "D" - TEFC (IP55)

Three-phase induction motor  
Frame 284/6T - IP55

23-SEP-2016

