



Dealers Industrial Equipment

No.:

Date: 23-SEP-2016

Customer :

TECHNICAL PROPOSAL

Three-phase induction motor - Squirrel cage rotor

Product line : Three-Phase : Explosion Proof - NEMA Premium

Catalog Number : 01509XT3E286T

List Price : \$7,102

Notes:

Downloaded from <http://dealerselectric.com>

Generated for Model #01509XT3E286T

Performed by:

Checked:



Dealers Industrial Equipment

No.:

Date: 23-SEP-2016

DATA SHEET Three-phase induction motor - Squirrel cage rotor

Customer :
 Product line : Three-Phase : Explosion Proof - NEMA Premium

Frame : 286T
 Output : 15 HP
 Frequency : 60 Hz
 Poles : 8
 Full load speed : 880 rpm
 Slip : 2.22 %
 Voltage : 208-230/460 V
 Rated current : 42.0-38.0/19.0 A
 Locked rotor current : 232/116 A
 Locked rotor current (I_L/I_n) : 6.1
 No-load current : 16.3/8.13 A
 Full load torque : 88.3 lb.ft
 Locked rotor torque : 240 %
 Breakdown torque : 230 %
 Design : B
 Insulation class : F
 Temperature rise : 80 K
 Locked rotor time : 37 s (hot)
 Service factor : 1.15
 Duty cycle : S1
 Ambient temperature : -20°C - +40°C
 Altitude : 1000 m
 Degree of Protection : IP55
 Approximate weight : 507 lb
 Moment of inertia : 8.1809 sq.ft.lb
 Noise level : 54 dB(A)

	D.E.	N.D.E.
Bearings	6311 2RS-C3	6211 2RS-C3
Regreasing interval	---	---
Grease amount	---	---

Load	Power factor	Efficiency (%)
100%	0.80	91.0
75%	0.76	91.7
50%	0.66	91.0

Notes:
 Downloaded from <http://dealerselectric.com>
 Generated for Model #01509XT3E286T

Performed by

Checked



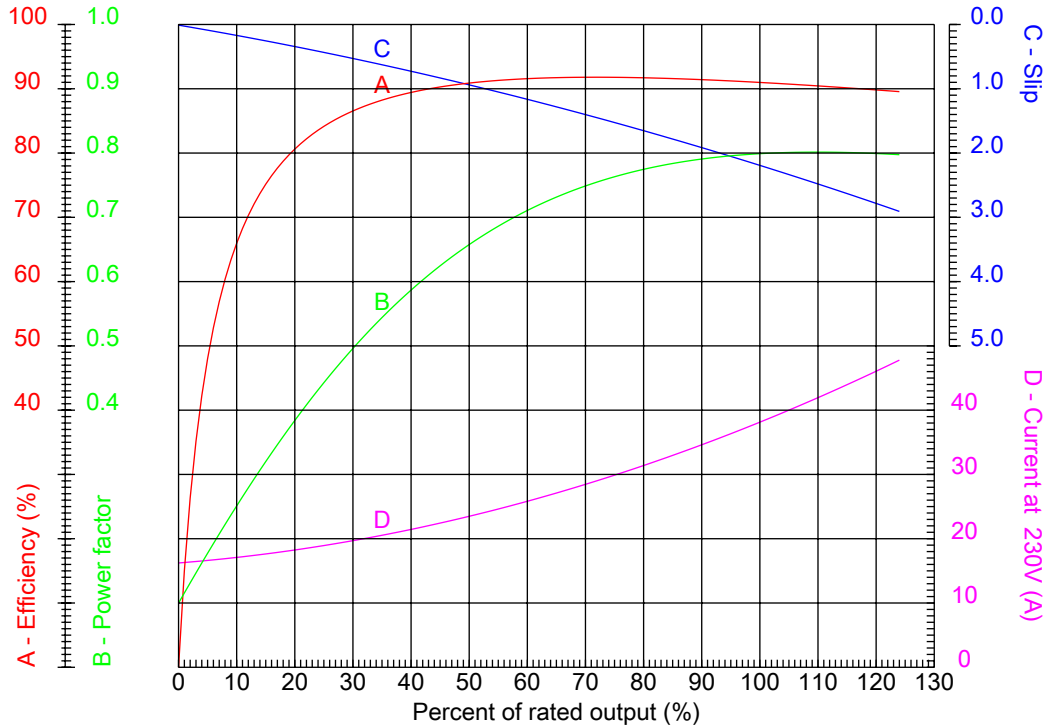
Dealers Industrial Equipment

No.:

Date: 23-SEP-2016

PERFORMANCE CURVES RELATED TO RATED OUTPUT

Three-phase induction motor - Squirrel cage rotor



Customer :
 Product line : Three-Phase : Explosion Proof - NEMA Premium

Frame : 286T	Locked rotor current (I _l /I _n) : 6.1
Output : 15 HP	Duty cycle : S1
Frequency : 60 Hz	Service factor : 1.15
Full load speed : 880 rpm	Design : B
Voltage : 208-230/460 V	Locked rotor torque : 240 %
Rated current : 42.0-38.0/19.0 A	Breakdown torque : 230 %
Insulation class : F	

Notes:
 Downloaded from <http://dealerselectric.com>
 Generated for Model #01509XT3E286T

Performed by

Checked



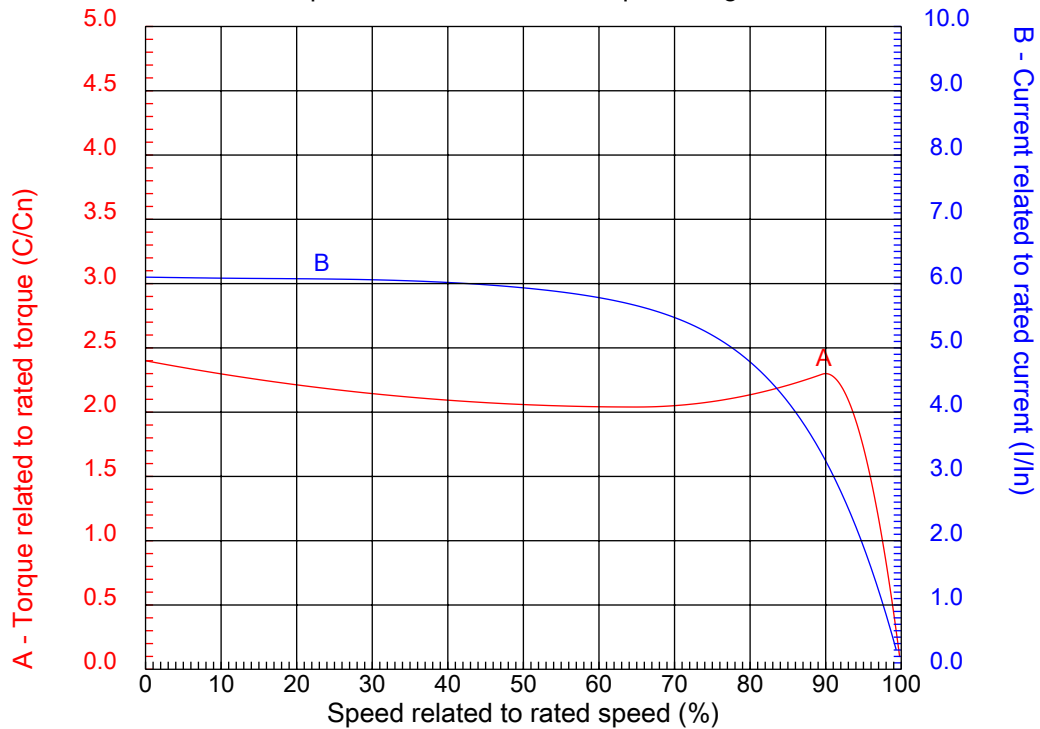
Dealers Industrial Equipment

No.:

Date: 23-SEP-2016

CHARACTERISTIC CURVES RELATED TO SPEED

Three-phase induction motor - Squirrel cage rotor



Customer :
Product line : Three-Phase : Explosion Proof - NEMA Premium

Frame	: 286T	Locked rotor current (I _l /I _n)	: 6.1
Output	: 15 HP	Duty cycle	: S1
Frequency	: 60 Hz	Service factor	: 1.15
Full load speed	: 880 rpm	Design	: B
Voltage	: 208-230/460 V	Locked rotor torque	: 240 %
Rated current	: 42.0-38.0/19.0 A	Breakdown torque	: 230 %
Insulation class	: F		

Notes:
Downloaded from <http://dealerselectric.com>
Generated for Model #01509XT3E286T

Performed by

Checked

1 2 3 4 5 6 7 8

A

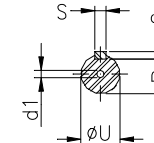
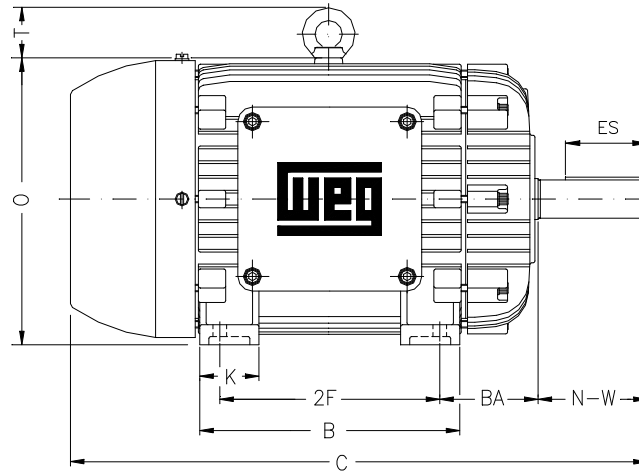
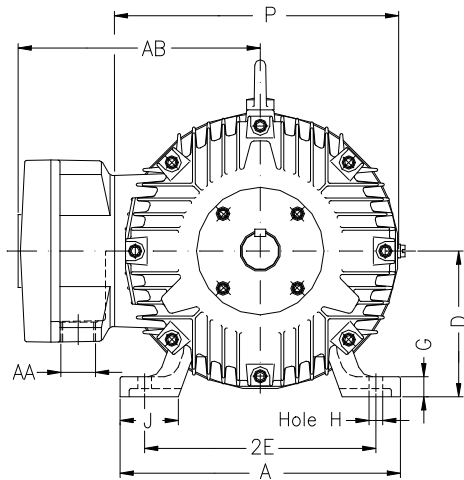
B

C

D

E

F



Notes: Downloaded from <http://dealerselectric.com>
Generated for Model #01509XT3E286T

Performed by:

Checked:

Customer:

Three-Phase : Explosion Proof - NEMA Premium

Three-phase induction motor
Frame 286T - IP55

23-SEP-2016



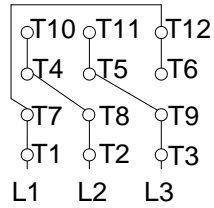
2E 11.000	A 13.780	2F 11.000	B 13.071	BA 4.750
J 3.150	K 2.953	P 14.094	ES 3.149	depth 0.500
S 0.500	N-W 4.622	U 1.875	R 1.594	AB 11.850
D 7.000	G 1.024	O 14.362	T 2.441	H 0.531
C 27.905	AA NPT 1 1/2"	d1 A 4	d2 A 4	

1 2 3 4 5 6 7 8

A
B
C
D
E
F

LOW VOLTAGE

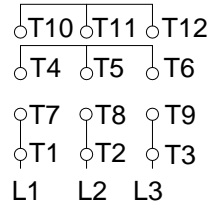
HIGH VOLTAGE



CONNECTIONS FOR STARTING ONLY:

LOW VOLTAGE

HIGH VOLTAGE



Notes: Downloaded from <http://dealerselectric.com>
Generated for Model #01509XT3E286T

Performed by:

Checked:

Customer:

Three-Phase : Explosion Proof - NEMA Premium

Three-phase induction motor
Frame 286T - IP55

23-SEP-2016

