



Dealers Industrial Equipment

No.:

Date: 23-SEP-2016

Customer :

TECHNICAL PROPOSAL

Three-phase induction motor - Squirrel cage rotor

Product line : Three-Phase: W22 IE3 IEC Tru-Metric - TEFC (IP55) Cast Iron Frame

Catalog Number : 01118ET3Y160M-W22

List Price : \$1,726

Notes:

Downloaded from <http://dealerselectric.com>

Generated for Model #01118ET3Y160M-W22

Performed by:

Checked:



# Dealers Industrial Equipment

No.:

Date: 23-SEP-2016

## DATA SHEET

### Three-phase induction motor - Squirrel cage rotor

Customer :  
 Product line : Three-Phase: W22 IE3 IEC Tru-Metric - TEFC (IP55) Cast Iron Frame

Frame : 160M  
 Output : 15 HP  
 Frequency : 60 Hz  
 Poles : 4  
 Full load speed : 1775 rpm  
 Slip : 1.39 %  
 Voltage : 460 V  
 Rated current : 18.2 A  
 Locked rotor current : 151 A  
 Locked rotor current (I<sub>L</sub>/I<sub>n</sub>) : 8.3  
 No-load current : 9.08 A  
 Full load torque : 43.8 lb.ft  
 Locked rotor torque : 310 %  
 Breakdown torque : 380 %  
 Design : ---  
 Insulation class : F  
 Temperature rise : 80 K  
 Locked rotor time : 16 s (hot)  
 Service factor : 1.25  
 Duty cycle : S1  
 Ambient temperature : -20°C - +40°C  
 Altitude : 1000 m  
 Degree of Protection : IP55  
 Approximate weight : 271 lb  
 Moment of inertia : 2.3818 sq.ft.lb  
 Noise level : 64 dB(A)

	D.E.	N.D.E.
Bearings	6309 C3	6209 C3
Regreasing interval	20000 h	20000 h
Grease amount	13 g	9 g

Load	Power factor	Efficiency (%)
100%	0.82	92.4
75%	0.75	91.7
50%	0.63	89.5

Notes:  
 Downloaded from <http://dealerselectric.com>  
 Generated for Model #01118ET3Y160M-W22

Performed by

Checked



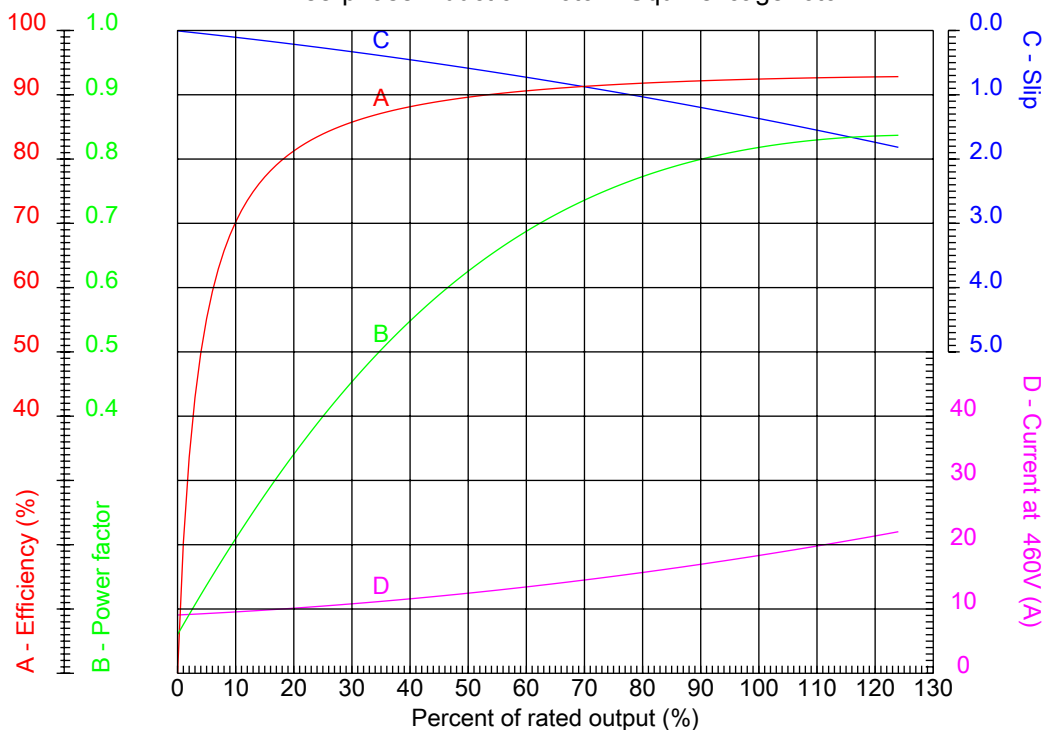
# Dealers Industrial Equipment

No.:

Date: 23-SEP-2016

## PERFORMANCE CURVES RELATED TO RATED OUTPUT

Three-phase induction motor - Squirrel cage rotor



Customer :  
 Product line : Three-Phase: W22 IE3 IEC Tru-Metric - TEFC (IP55) Cast Iron Frame

Frame	: 160M	Locked rotor current (I <sub>l</sub> /I <sub>n</sub> )	: 8.3
Output	: 15 HP	Duty cycle	: S1
Frequency	: 60 Hz	Service factor	: 1.25
Full load speed	: 1775 rpm	Design	: ---
Voltage	: 460 V	Locked rotor torque	: 310 %
Rated current	: 18.2 A	Breakdown torque	: 380 %
Insulation class	: F		

Notes:  
 Downloaded from <http://dealerselectric.com>  
 Generated for Model #01118ET3Y160M-W22

Performed by

Checked



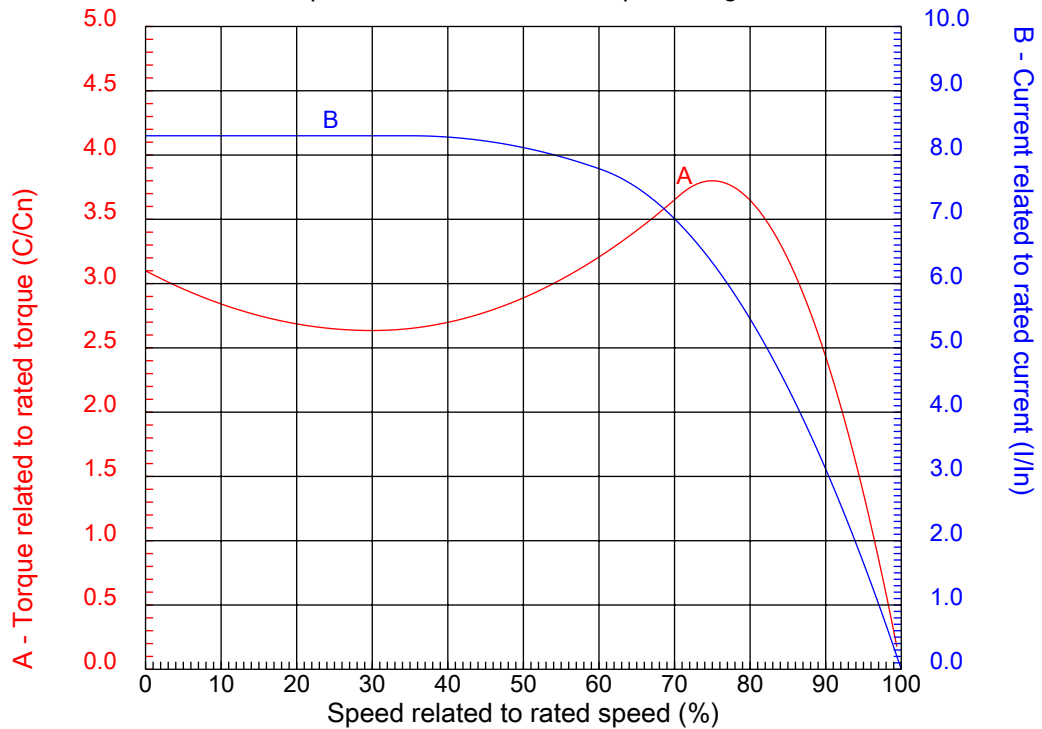
# Dealers Industrial Equipment

No.:

Date: 23-SEP-2016

## CHARACTERISTIC CURVES RELATED TO SPEED

Three-phase induction motor - Squirrel cage rotor



Customer :  
Product line : Three-Phase: W22 IE3 IEC Tru-Metric - TEFC (IP55) Cast Iron Frame

Frame	: 160M	Locked rotor current (I <sub>l</sub> /I <sub>n</sub> )	: 8.3
Output	: 15 HP	Duty cycle	: S1
Frequency	: 60 Hz	Service factor	: 1.25
Full load speed	: 1775 rpm	Design	: ---
Voltage	: 460 V	Locked rotor torque	: 310 %
Rated current	: 18.2 A	Breakdown torque	: 380 %
Insulation class	: F		

Notes:  
Downloaded from <http://dealerselectric.com>  
Generated for Model #01118ET3Y160M-W22

Performed by

Checked

1 2 3 4 5 6 7 8

A

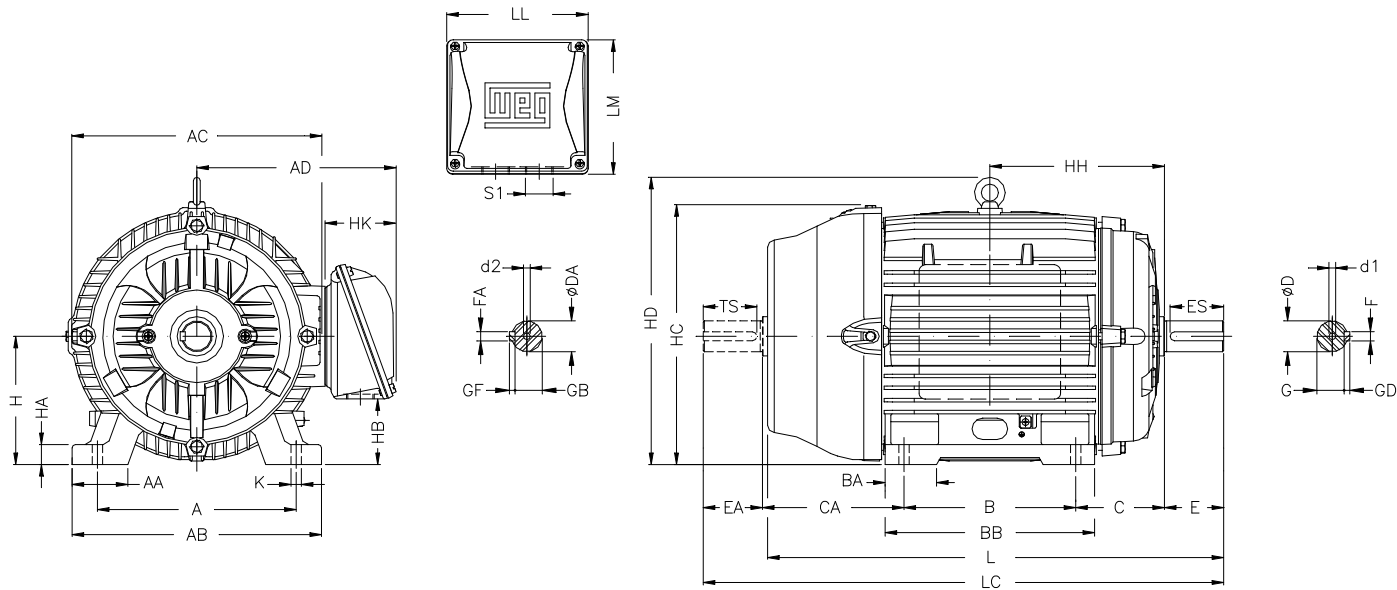
B

C

D

E

F



Notes: Downloaded from <http://dealerselectric.com>  
Generated for Model #01118ET3Y160M-W22

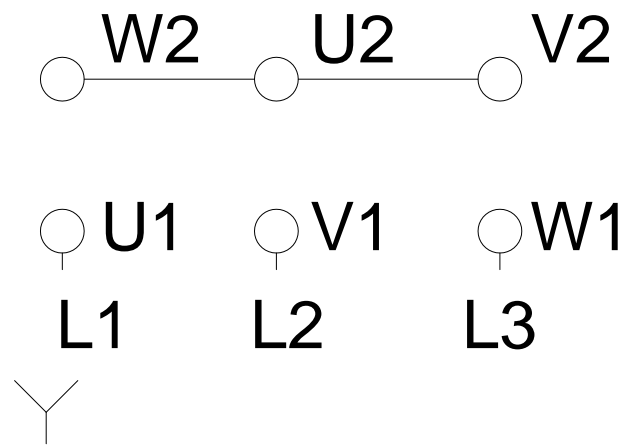
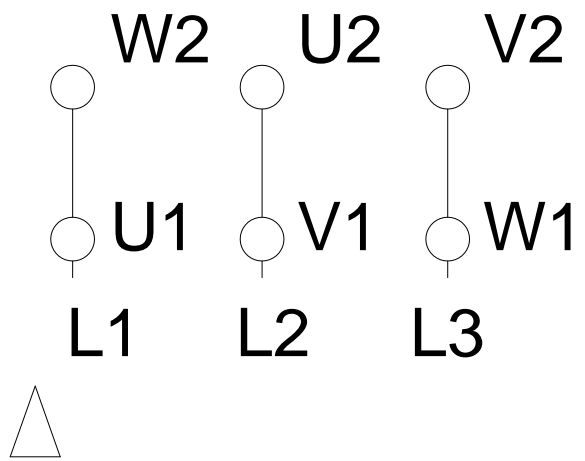
A	AA	AB	AC	AD
254	64	308	329	266
B	BA	BB	C	CA
210	63	254	108	174
D	E	ES	F	G
42k6	110	80	12	37
GD	DA	EA	TS	FA
8	42k6	110	80	12
GB	GF	H	HA	HC
37	8	160	22	331
HD	K	L	LC	S1
374	14.5	598	712	2xM40x1,5
d1	d2			
DM16	DM16			

Performed by:	
Checked:	
Customer:	
Three-Phase: W22 IE3 IEC Tru-Metric - TEFC (IP55) Cast Iron Frame	
Three-phase induction motor Frame 160M - IP55	23-SEP-2016



# LOW VOLTAGE

# HIGH VOLTAGE



Notes: Downloaded from <http://dealerselectric.com>  
Generated for Model #01118ET3Y160M-W22

Performed by:

Checked:

Customer:

Three-Phase: W22 IE3 IEC Tru-Metric - TEFC (IP55) Cast Iron Frame

Three-phase induction motor  
Frame 160M - IP55

23-SEP-2016

