



Dealers Industrial Equipment

No.:

Date: 23-SEP-2016

Customer :

TECHNICAL PROPOSAL

Three-phase induction motor - Squirrel cage rotor

Product line : Close Coupled Pump : Three-Phase - "JP" Type - ODP - High Efficiency - Vertical
Motors
Catalog Number : 01036OP3H213JPV
List Price : \$1,273

Notes:

Downloaded from <http://dealerselectric.com>
Generated for Model #01036OP3H213JPV

Performed by:

Checked:



Dealers Industrial Equipment

No.:

Date: 23-SEP-2016

DATA SHEET

Three-phase induction motor - Squirrel cage rotor

Customer :
 Product line : Close Coupled Pump : Three-Phase - "JP" Type - ODP - High Efficiency - Vertical Motors

Frame : 213/5JP
 Output : 10 HP
 Frequency : 60 Hz
 Poles : 2
 Full load speed : 3515 rpm
 Slip : 2.36 %
 Voltage : 575 V
 Rated current : 9.76 A
 Locked rotor current : 64.4 A
 Locked rotor current (I_L/I_n) : 6.6
 No-load current : 4.00 A
 Full load torque : 14.7 lb.ft
 Locked rotor torque : 210 %
 Breakdown torque : 250 %
 Design : B
 Insulation class : F
 Temperature rise : 80 K
 Locked rotor time : 12 s (hot)
 Service factor : 1.15
 Duty cycle : S1
 Ambient temperature : -20°C - +40°C
 Altitude : 1000 m
 Degree of Protection : IP21
 Approximate weight : 95 lb
 Moment of inertia : 0.44351 sq.ft.lb
 Noise level : ---

	D.E.	N.D.E.	Load	Power factor	Efficiency (%)
Bearings	6209 ZZ	6206 ZZ	100%	0.87	88.5
Regreasing interval	---	---	75%	0.81	88.5
Grease amount	---	---	50%	0.71	87.5

Notes:
 Downloaded from <http://dealerselectric.com>
 Generated for Model #01036OP3H213JPV

Performed by

Checked



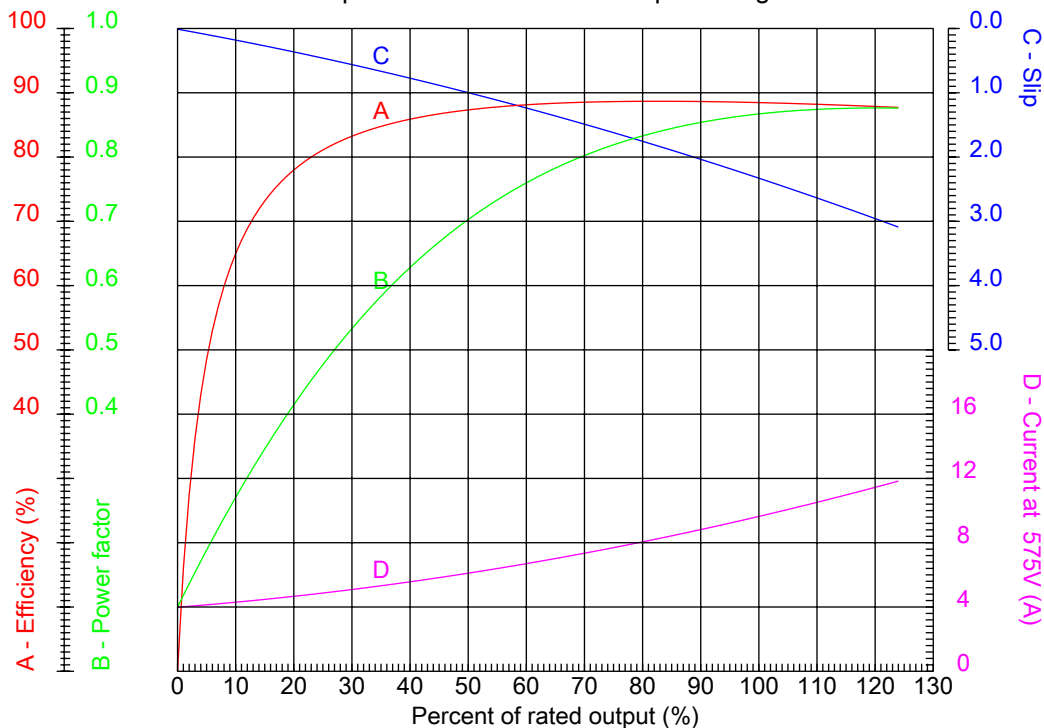
Dealers Industrial Equipment

No.:

Date: 23-SEP-2016

PERFORMANCE CURVES RELATED TO RATED OUTPUT

Three-phase induction motor - Squirrel cage rotor



Customer :
 Product line : Close Coupled Pump : Three-Phase - "JP" Type - ODP - High Efficiency - Vertical Motors

Frame	: 213/5JP	Locked rotor current (I _l /I _n)	: 6.6
Output	: 10 HP	Duty cycle	: S1
Frequency	: 60 Hz	Service factor	: 1.15
Full load speed	: 3515 rpm	Design	: B
Voltage	: 575 V	Locked rotor torque	: 210 %
Rated current	: 9.76 A	Breakdown torque	: 250 %
Insulation class	: F		

Notes:
 Downloaded from <http://dealerselectric.com>
 Generated for Model #01036OP3H213JPV

Performed by

Checked



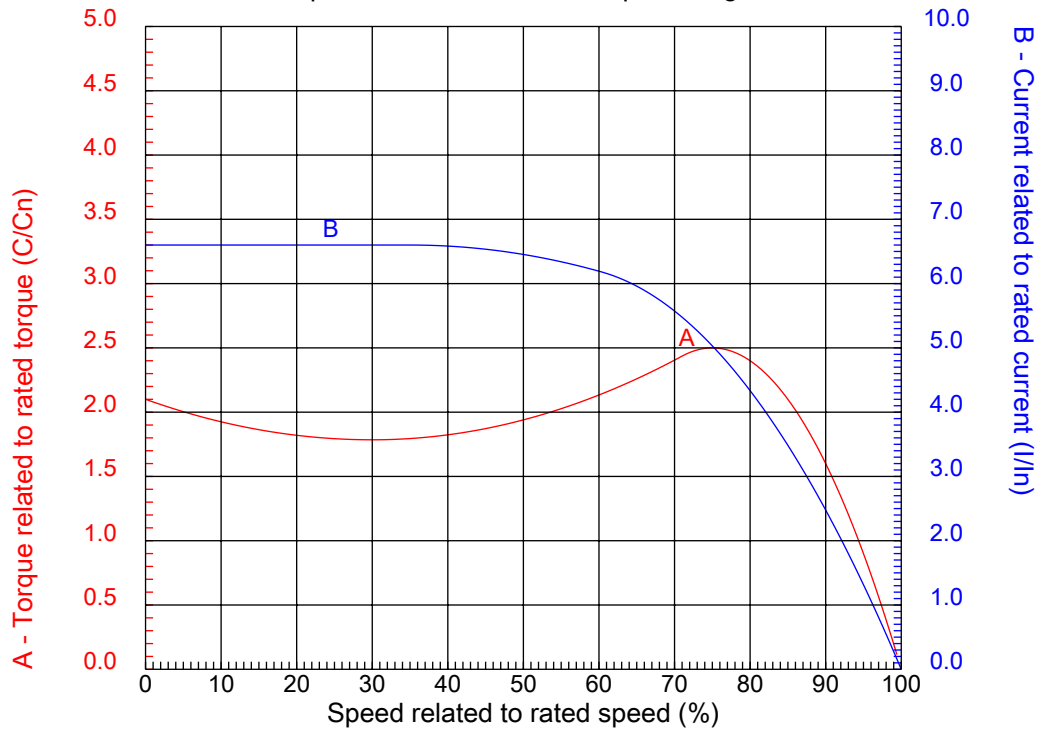
Dealers Industrial Equipment

No.:

Date: 23-SEP-2016

CHARACTERISTIC CURVES RELATED TO SPEED

Three-phase induction motor - Squirrel cage rotor



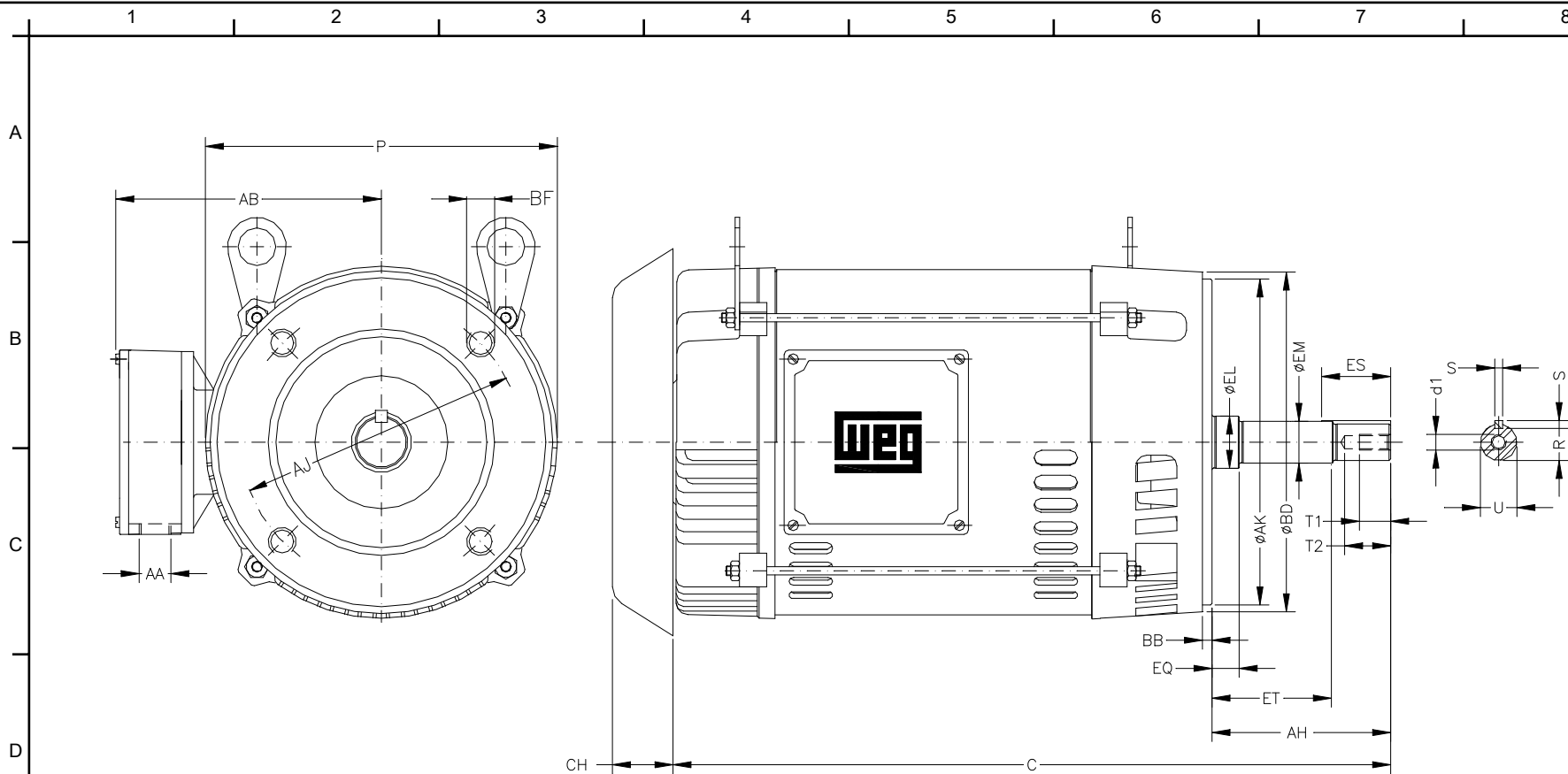
Customer :
Product line : Close Coupled Pump : Three-Phase - "JP" Type - ODP - High Efficiency - Vertical Motors

Frame	: 213/5JP	Locked rotor current (I _l /I _n)	: 6.6
Output	: 10 HP	Duty cycle	: S1
Frequency	: 60 Hz	Service factor	: 1.15
Full load speed	: 3515 rpm	Design	: B
Voltage	: 575 V	Locked rotor torque	: 210 %
Rated current	: 9.76 A	Breakdown torque	: 250 %
Insulation class	: F		

Notes:
Downloaded from <http://dealerselectric.com>
Generated for Model #01036OP3H213JPV

Performed by

Checked



Notes: Downloaded from <http://dealerselectric.com>
 Generated for Model #01036OP3H213JPV

Performed by:

Checked:

Customer:

Close Coupled Pump : Three-Phase - "JP" Type - ODP - High Efficiency - Vertical

P	AB	EQ	ET	U
8.779	8.149	2.374	5.905	1.250
EM	EL	S	EP	R
1.375	1.750	0.250	1.769	1.110
ES	d1	t1	t2	C
2.480	EUNC 1/2"-13	0.984	1.496	21.240
Flange	AJ	AK	BD	BF
FC-184	7.250	8.500	8.858	UNC 1/2"x13
BB	AH			
0.250	8.149			

Three-phase induction motor
 Frame 213/5JP - IP21

23-SEP-2016



1 2 3 4 5 6 7 8

A

B

C

D

E

F



Notes: Downloaded from http://dealerselectric.com Generated for Model #01036OP3H213JPV		
Performed by:		
Checked:		
Customer:		
Close Coupled Pump : Three-Phase - "JP" Type - ODP - High Efficiency - Vertical		
Three-phase induction motor Frame 213/5JP - IP21	23-SEP-2016	