



Dealers Industrial Equipment

No.:

Date: 13-SEP-2016

Customer :

TECHNICAL PROPOSAL

Three-phase induction motor - Squirrel cage rotor

Product line : Close Coupled Pump : Three-Phase - "JM" Type - ODP - High Efficiency -
Vertical Motors
Catalog Number : 01036OP3E213JMV
List Price : \$1,201

Notes:

Downloaded from <http://dealerselectric.com>
Generated for Model #01036OP3E213JMV

Performed by:

Checked:



Dealers Industrial Equipment

No.:

Date: 13-SEP-2016

DATA SHEET Three-phase induction motor - Squirrel cage rotor

Customer :
 Product line : Close Coupled Pump : Three-Phase - "JM" Type - ODP - High Efficiency - Vertical Motors

Frame : 213/5JM
 Output : 10 HP
 Frequency : 60 Hz
 Poles : 2
 Full load speed : 3515 rpm
 Slip : 2.36 %
 Voltage : 230/460 V
 Rated current : 24.4/12.2 A
 Locked rotor current : 161/80.5 A
 Locked rotor current (I_L/I_n) : 6.6
 No-load current : 10.0/5.00 A
 Full load torque : 14.7 lb.ft
 Locked rotor torque : 210 %
 Breakdown torque : 250 %
 Design : B
 Insulation class : F
 Temperature rise : 80 K
 Locked rotor time : 12 s (hot)
 Service factor : 1.15
 Duty cycle : S1
 Ambient temperature : -20°C - +40°C
 Altitude : 1000 m
 Degree of Protection : IP21
 Approximate weight : 113 lb
 Moment of inertia : 0.44351 sq.ft.lb
 Noise level : ---

	D.E.	N.D.E.	Load	Power factor	Efficiency (%)
Bearings	6209 ZZ	6206 ZZ	100%	0.87	88.5
Regreasing interval	---	---	75%	0.81	88.5
Grease amount	---	---	50%	0.71	87.5

Notes:
 Downloaded from <http://dealerselectric.com>
 Generated for Model #01036OP3E213JMV

Performed by _____ Checked _____



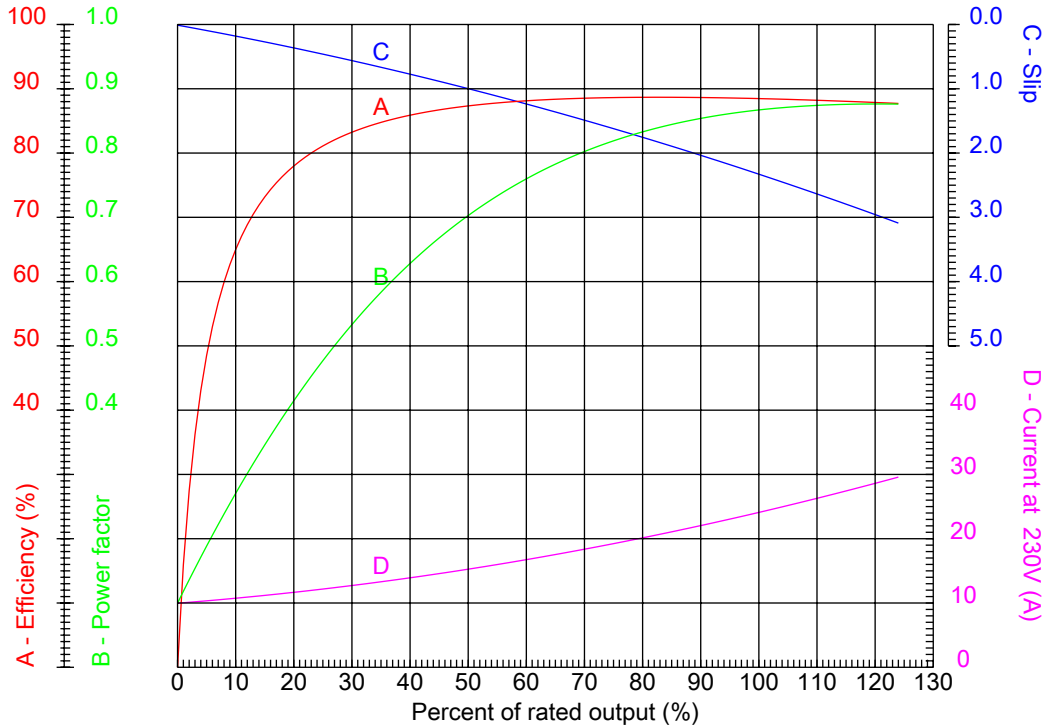
Dealers Industrial Equipment

No.:

Date: 13-SEP-2016

PERFORMANCE CURVES RELATED TO RATED OUTPUT

Three-phase induction motor - Squirrel cage rotor



Customer :
 Product line : Close Coupled Pump : Three-Phase - "JM" Type - ODP - High Efficiency - Vertical Motors

Frame	: 213/5JM	Locked rotor current (I _l /I _n)	: 6.6
Output	: 10 HP	Duty cycle	: S1
Frequency	: 60 Hz	Service factor	: 1.15
Full load speed	: 3515 rpm	Design	: B
Voltage	: 230/460 V	Locked rotor torque	: 210 %
Rated current	: 24.4/12.2 A	Breakdown torque	: 250 %
Insulation class	: F		

Notes:
 Downloaded from <http://dealerselectric.com>
 Generated for Model #01036OP3E213JMV

Performed by

Checked



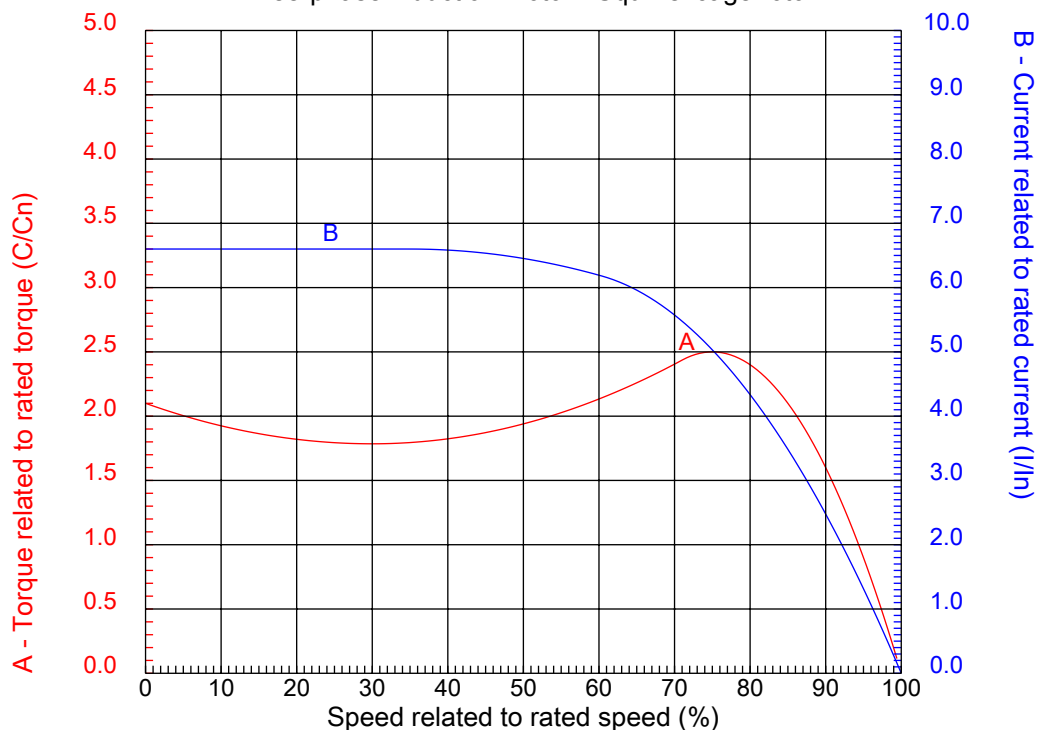
Dealers Industrial Equipment

No.:

Date: 13-SEP-2016

CHARACTERISTIC CURVES RELATED TO SPEED

Three-phase induction motor - Squirrel cage rotor



Customer :
Product line : Close Coupled Pump : Three-Phase - "JM" Type - ODP - High Efficiency - Vertical Motors

Frame	: 213/5JM	Locked rotor current (I _l /I _n)	: 6.6
Output	: 10 HP	Duty cycle	: S1
Frequency	: 60 Hz	Service factor	: 1.15
Full load speed	: 3515 rpm	Design	: B
Voltage	: 230/460 V	Locked rotor torque	: 210 %
Rated current	: 24.4/12.2 A	Breakdown torque	: 250 %
Insulation class	: F		

Notes:
Downloaded from <http://dealerselectric.com>
Generated for Model #01036OP3E213JMV

Performed by

Checked

1 2 3 4 5 6 7 8

A

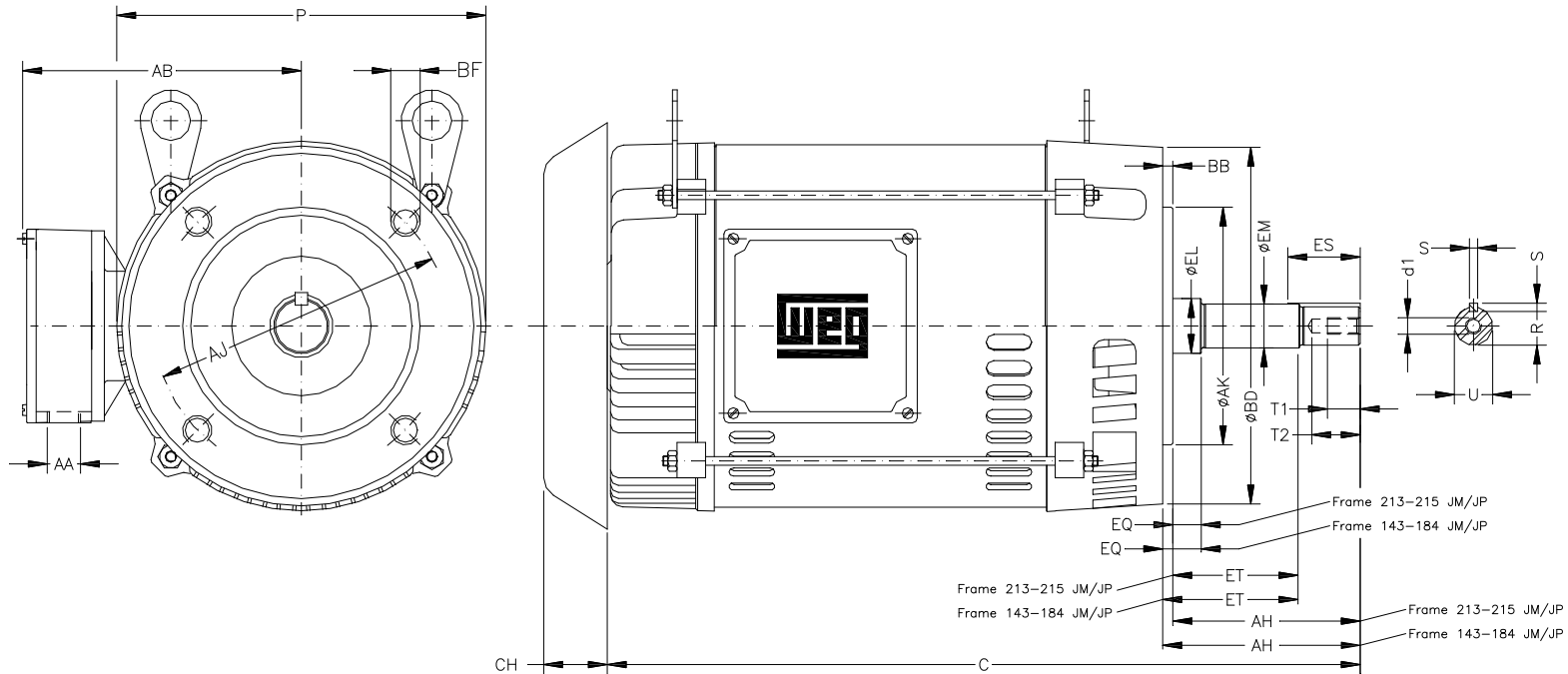
B

C

D

E

F



Notes: Downloaded from <http://dealerselectric.com>
Generated for Model #01036OP3E213JMV

Performed by:

Checked:

Customer:

Close Coupled Pump : Three-Phase - "JM" Type - ODP - High Efficiency -

Three-phase induction motor
Frame 213/5JM - IP21

13-SEP-2016



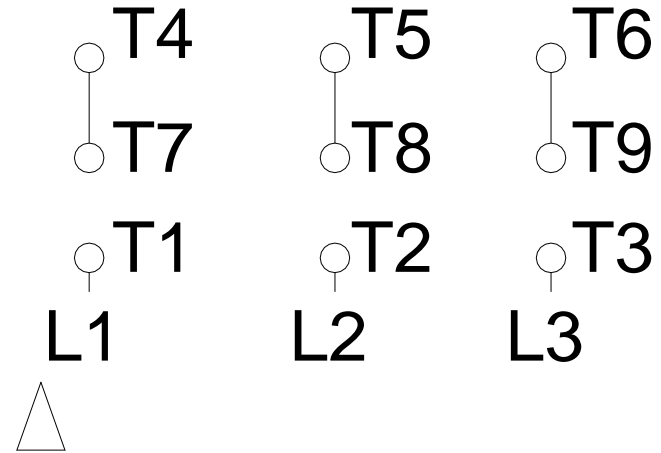
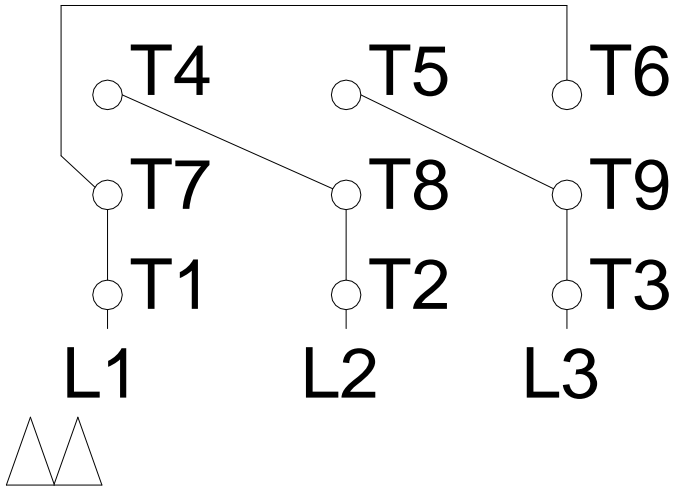
P	AB	EQ	ET	U
8.779	8.149	0.630	2.880	0.874
EM	EL	S	EP	R
1.000	1.250	0.187	1.769	0.768
ES	d1	t1	t2	C
1.575	EUNC 3/8"-16	0.748	1.102	17.323
Flange	AJ	AK	BD	BF
FC-184	7.250	8.500	8.858	UNC 1/2"x13
BB	AH			
0.250	4.258			

1 2 3 4 5 6 7 8

LOW VOLTAGE

HIGH VOLTAGE

A
B
C
D
E
F



Notes: Downloaded from <http://dealerselectric.com>
 Generated for Model #01036OP3E213JMV

Performed by:

Checked:

Customer:

Close Coupled Pump : Three-Phase - "JM" Type - ODP - High Efficiency -

Three-phase induction motor
 Frame 213/5JM - IP21

13-SEP-2016

