



Dealers Industrial Equipment

No.:

Date: 13-SEP-2016

Customer :

TECHNICAL PROPOSAL

Three-phase induction motor - Squirrel cage rotor

Product line : W22 NEMA Premium - Ball Bearings

Catalog Number : 01036ET3ER215TC-W22

List Price : \$1,424

Notes:

Downloaded from <http://dealerselectric.com>

Generated for Model #01036ET3ER215TC-W22

Performed by:

Checked:



Dealers Industrial Equipment

No.:

Date: 13-SEP-2016

DATA SHEET Three-phase induction motor - Squirrel cage rotor

Customer :
Product line : W22 NEMA Premium - Ball Bearings

Frame : 215T
Output : 10 HP
Frequency : 60 Hz
Poles : 2
Full load speed : 3515 rpm
Slip : 2.36 %
Voltage : 208-230/460 V
Rated current : 25.7-23.2/11.6 A
Locked rotor current : 160/80.0 A
Locked rotor current (I_L/I_n) : 6.9
No-load current : 6.00/3.00 A
Full load torque : 14.7 lb.ft
Locked rotor torque : 210 %
Breakdown torque : 290 %
Design : B
Insulation class : F
Temperature rise : 80 K
Locked rotor time : 24 s (hot)
Service factor : 1.25
Duty cycle : S1
Ambient temperature : -20°C - +40°C
Altitude : 1000 m
Degree of Protection : IP55
Approximate weight : 163 lb
Moment of inertia : 0.63620 sq.ft.lb
Noise level : 72 dB(A)

	D.E.	N.D.E.
Bearings	6308 ZZ	6207 ZZ
Regreasing interval	---	---
Grease amount	---	---

Load	Power factor	Efficiency (%)
100%	0.90	90.2
75%	0.87	90.2
50%	0.79	89.5

Notes:
Downloaded from <http://dealerselectric.com>
Generated for Model #01036ET3ER215TC-W22

Performed by

Checked



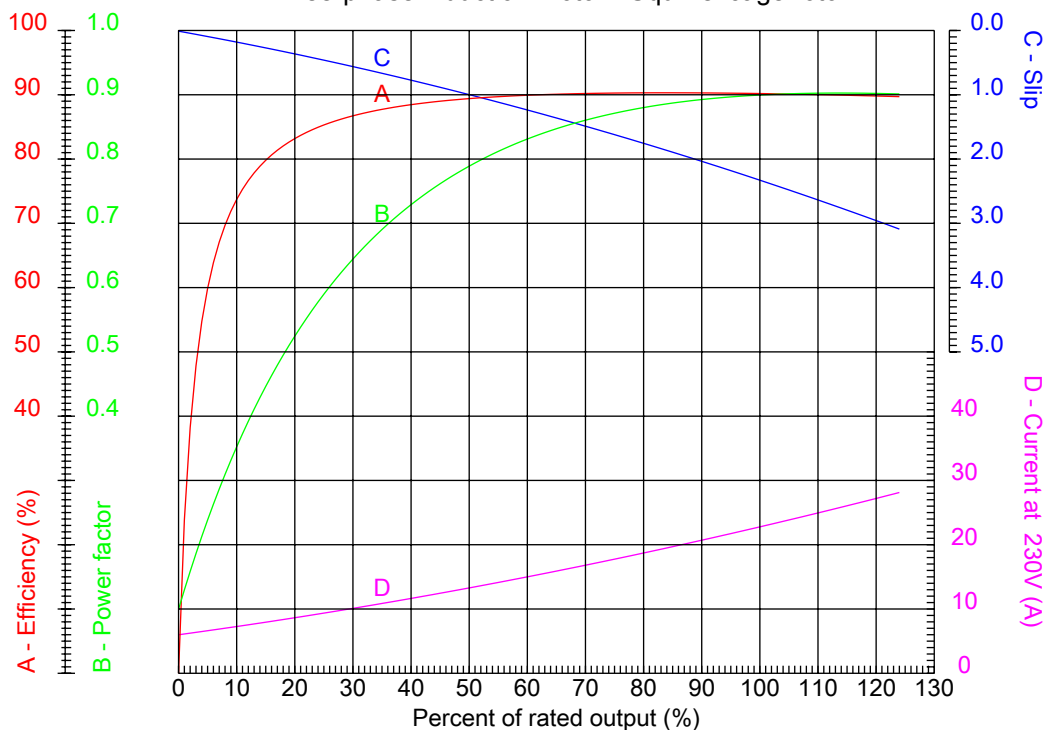
Dealers Industrial Equipment

No.:

Date: 13-SEP-2016

PERFORMANCE CURVES RELATED TO RATED OUTPUT

Three-phase induction motor - Squirrel cage rotor



Customer :
Product line : W22 NEMA Premium - Ball Bearings

Frame	: 215T	Locked rotor current (I _l /I _n)	: 6.9
Output	: 10 HP	Duty cycle	: S1
Frequency	: 60 Hz	Service factor	: 1.25
Full load speed	: 3515 rpm	Design	: B
Voltage	: 208-230/460 V	Locked rotor torque	: 210 %
Rated current	: 25.7-23.2/11.6 A	Breakdown torque	: 290 %
Insulation class	: F		

Notes:
Downloaded from <http://dealerselectric.com>
Generated for Model #01036ET3ER215TC-W22

Performed by

Checked



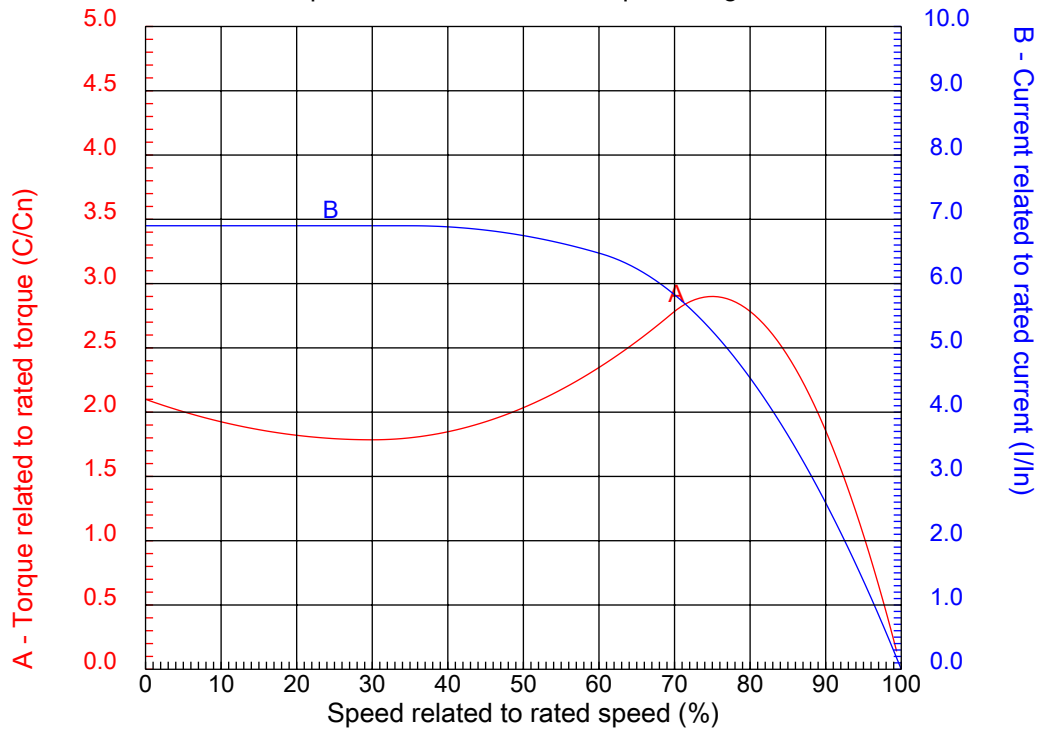
Dealers Industrial Equipment

No.:

Date: 13-SEP-2016

CHARACTERISTIC CURVES RELATED TO SPEED

Three-phase induction motor - Squirrel cage rotor



Customer :
Product line : W22 NEMA Premium - Ball Bearings

Frame	: 215T	Locked rotor current (I _l /I _n)	: 6.9
Output	: 10 HP	Duty cycle	: S1
Frequency	: 60 Hz	Service factor	: 1.25
Full load speed	: 3515 rpm	Design	: B
Voltage	: 208-230/460 V	Locked rotor torque	: 210 %
Rated current	: 25.7-23.2/11.6 A	Breakdown torque	: 290 %
Insulation class	: F		

Notes:
Downloaded from <http://dealerselectric.com>
Generated for Model #01036ET3ER215TC-W22

Performed by

Checked

1 2 3 4 5 6 7 8

A

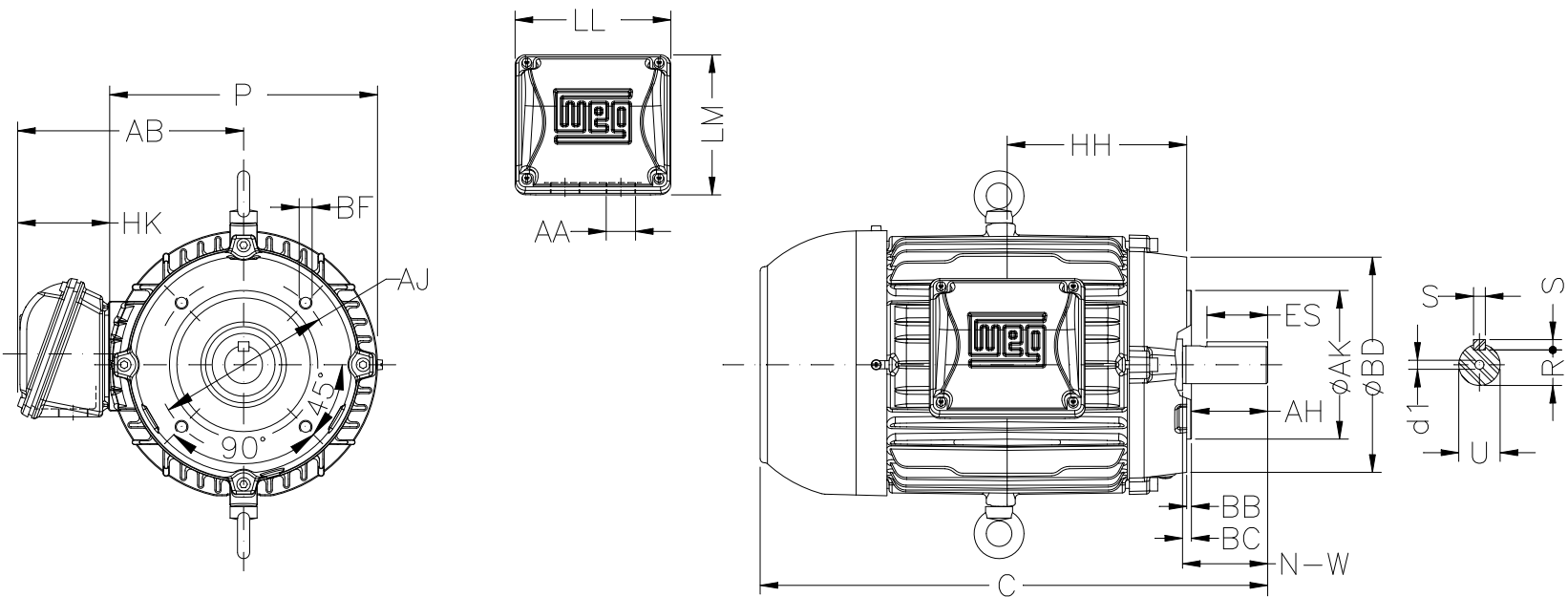
B

C

D

E

F



Notes: Downloaded from <http://dealerselectric.com>
Generated for Model #01036ET3ER215TC-W22

Performed by:

Checked:

Customer:

W22 NEMA Premium - Ball Bearings

Three-phase induction motor

Frame 215T - IP55

13-SEP-2016



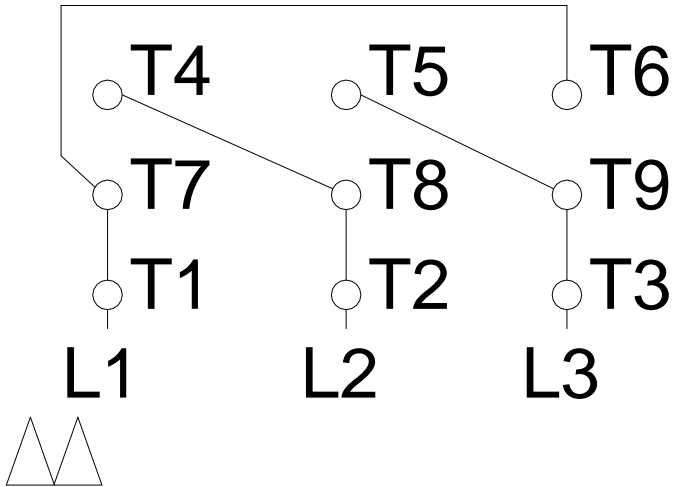
P	AB	U	N-W	ES
10.669	8.583	1.375	3.375	2.480
S	R	depth	HH	HK
0.313	1.203	0.313	7.000	3.150
C	FC	LL	LM	AA
19.517	22.546	5.512	5.236	NPT 1"
d1	Flange	AJ	AK	BD
A 4	FC-184	7.250	8.500	8.875
BF	BB	BC	AH	
UNC 1/2"x13	0.250	0.250	3.125	

1 2 3 4 5 6 7 8

LOW VOLTAGE

HIGH VOLTAGE

A
B
C
D
E
F



Notes: Downloaded from http://dealerselectric.com Generated for Model #01036ET3ER215TC-W22		
Performed by:		
Checked:		
Customer:		
W22 NEMA Premium - Ball Bearings		
Three-phase induction motor Frame 215T - IP55	13-SEP-2016	