



Dealers Industrial Equipment

No.:

Date: 13-SEP-2016

Customer :

TECHNICAL PROPOSAL

Three-phase induction motor - Squirrel cage rotor

Product line : Saw Arbor Motors : Single and Double Shaft End

Catalog Number : 01036ES3ESA90LL

List Price : \$1,953

Notes:

Downloaded from <http://dealerselectric.com>

Generated for Model #01036ES3ESA90LL

Performed by:

Checked:



# Dealers Industrial Equipment

No.:

Date: 13-SEP-2016

## DATA SHEET Three-phase induction motor - Squirrel cage rotor

Customer :  
Product line : Saw Arbor Motors : Single and Double Shaft End

Frame : 90L  
Output : 10 HP  
Frequency : 60 Hz  
Poles : 2  
Full load speed : 3480 rpm  
Slip : 3.33 %  
Voltage : 208-230/460 V  
Rated current : 27.2-24.6/12.3 A  
Locked rotor current : 209/104 A  
Locked rotor current (I<sub>L</sub>/I<sub>n</sub>) : 8.5  
No-load current : 8.99/4.50 A  
Full load torque : 14.9 lb.ft  
Locked rotor torque : 400 %  
Breakdown torque : 420 %  
Design : ---  
Insulation class : F  
Temperature rise : 80 K  
Locked rotor time : 7 s (hot)  
Service factor : 1.15  
Duty cycle : S6 50%  
Ambient temperature : -20°C - +40°C  
Altitude : 1000 m  
Degree of Protection : IP54  
Approximate weight : 166 lb  
Moment of inertia : 0.33222 sq.ft.lb  
Noise level : 68 dB(A)

	D.E.	N.D.E.
Bearings	6308 ZZ	6208 ZZ
Regreasing interval	---	---
Grease amount	---	---

Load	Power factor	Efficiency (%)
100%	0.90	85.0
75%	0.86	84.5
50%	0.77	82.0

Notes:  
Downloaded from <http://dealerselectric.com>  
Generated for Model #01036ES3ESA90LL

Performed by

Checked



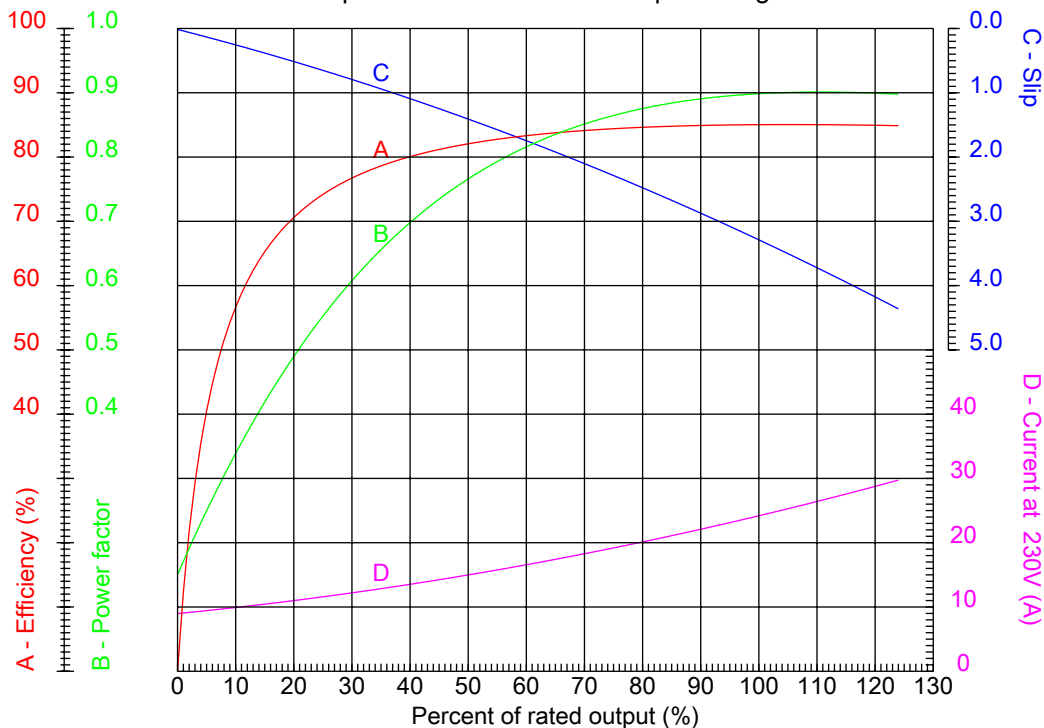
# Dealers Industrial Equipment

No.:

Date: 13-SEP-2016

## PERFORMANCE CURVES RELATED TO RATED OUTPUT

Three-phase induction motor - Squirrel cage rotor



Customer :  
 Product line : Saw Arbor Motors : Single and Double Shaft End

Frame	: 90L	Locked rotor current (I <sub>l</sub> /I <sub>n</sub> )	: 8.5
Output	: 10 HP	Duty cycle	: S6 50%
Frequency	: 60 Hz	Service factor	: 1.15
Full load speed	: 3480 rpm	Design	: ---
Voltage	: 208-230/460 V	Locked rotor torque	: 400 %
Rated current	: 27.2-24.6/12.3 A	Breakdown torque	: 420 %
Insulation class	: F		

Notes:  
 Downloaded from <http://dealerselectric.com>  
 Generated for Model #01036ES3ESA90LL

Performed by

Checked



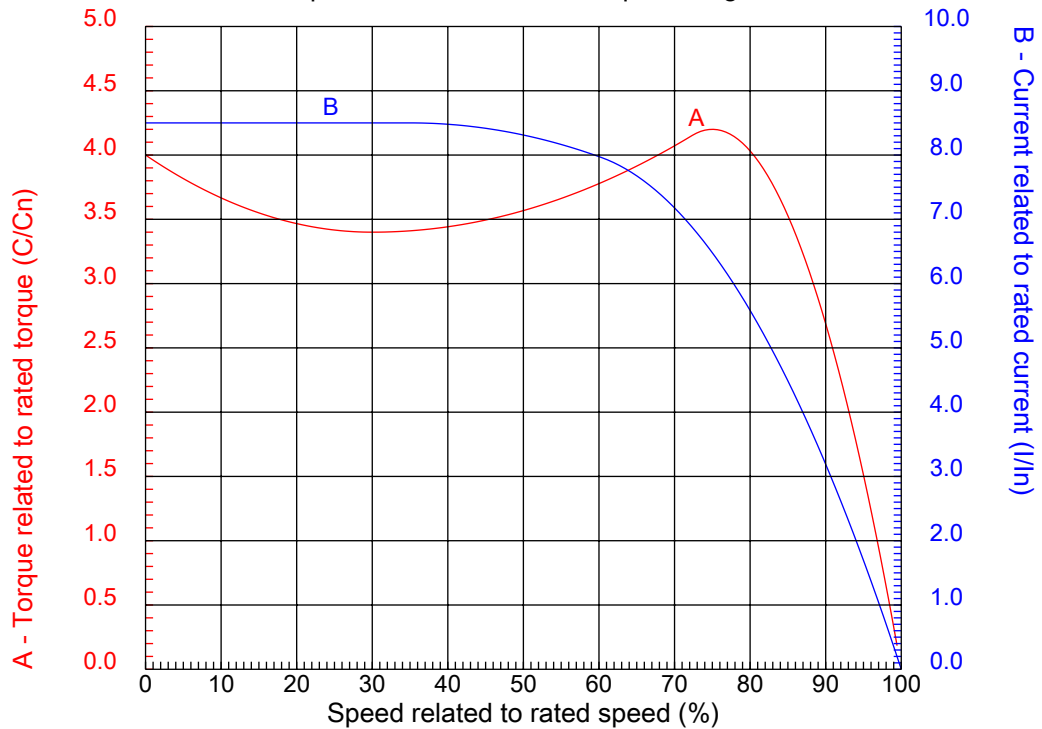
# Dealers Industrial Equipment

No.:

Date: 13-SEP-2016

## CHARACTERISTIC CURVES RELATED TO SPEED

Three-phase induction motor - Squirrel cage rotor



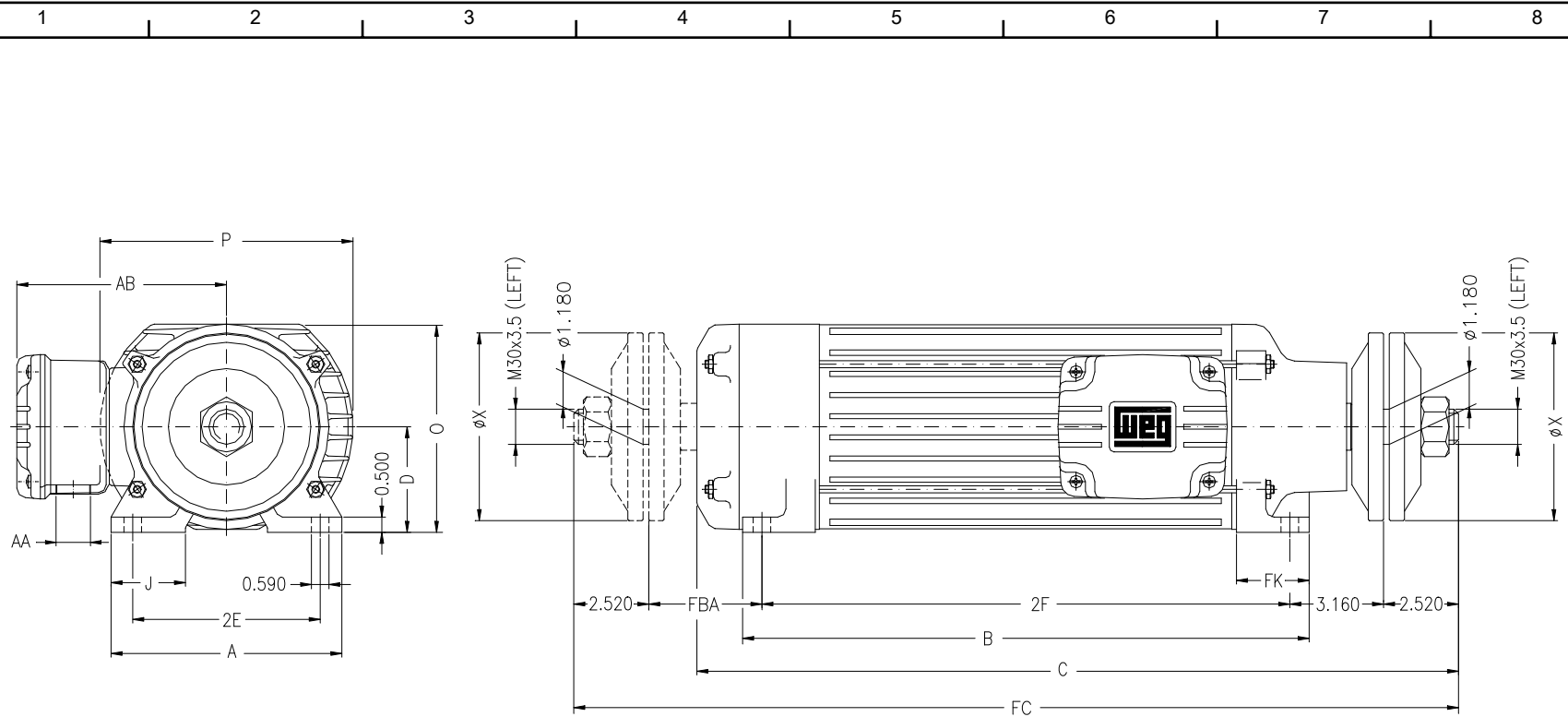
Customer :  
Product line : Saw Arbor Motors : Single and Double Shaft End

Frame	: 90L	Locked rotor current (I/I <sub>n</sub> )	: 8.5
Output	: 10 HP	Duty cycle	: S6 50%
Frequency	: 60 Hz	Service factor	: 1.15
Full load speed	: 3480 rpm	Design	: ---
Voltage	: 208-230/460 V	Locked rotor torque	: 400 %
Rated current	: 27.2-24.6/12.3 A	Breakdown torque	: 420 %
Insulation class	: F		

Notes:  
Downloaded from <http://dealerselectric.com>  
Generated for Model #01036ES3ESA90LL

Performed by

Checked



Notes: Downloaded from <http://dealerselectric.com>  
 Generated for Model #01036ES3ESA90LL

Performed by:

Checked:

Customer:

Saw Arbor Motors : Single and Double Shaft End

A	B	AB	BB	BA
160	510	197	543	62
CA	L	LC	H	AA
43	672.5	758.0	90	63
HC	AC	AD	S1	
177	208	179	NPT 1"	

Three-phase induction motor  
 Frame 90L - IP54

13-SEP-2016



1 2 3 4 5 6 7 8

A

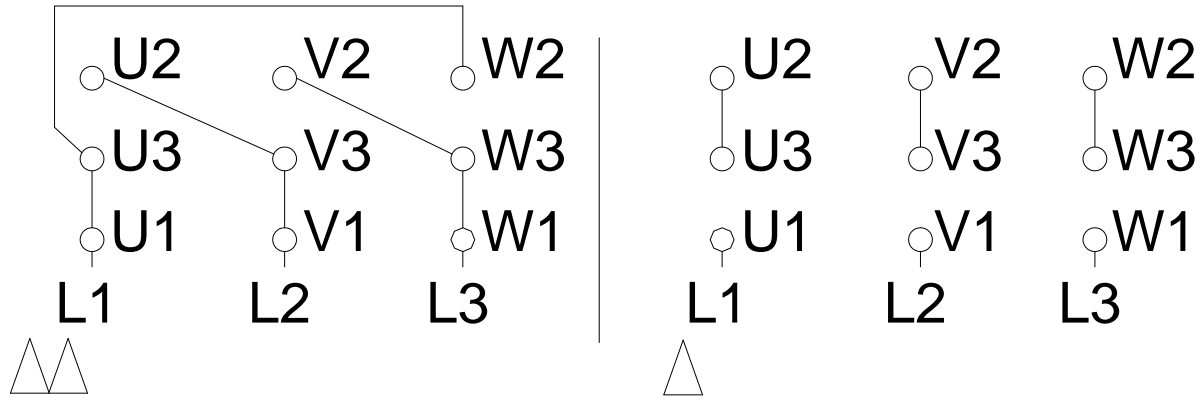
B

C

D

E

F



Notes: Downloaded from <http://dealerselectric.com>  
Generated for Model #01036ES3ESA90LL

Performed by:

Checked:

Customer:

Saw Arbor Motors : Single and Double Shaft End

Three-phase induction motor  
Frame 90L - IP54

13-SEP-2016

