



Dealers Industrial Equipment

No.:

Date: 13-SEP-2016

Customer :

TECHNICAL PROPOSAL

## Single-phase induction motor - Squirrel cage rotor

Product line : Single-Phase : W21 TEFC (IP55)

Catalog Number : 01036ES1E215T

List Price : \$1,916

Notes:

Downloaded from <http://dealerselectric.com>

Generated for Model #01036ES1E215T

Performed by:

Checked:



Dealers Industrial Equipment

No.:

Date: 13-SEP-2016

## DATA SHEET

### Single-phase induction motor - Squirrel cage rotor

Customer :  
Product line : Single-Phase : W21 TEFC (IP55)

Frame : 215T  
Output : 10 HP  
Frequency : 60 Hz  
Poles : 2  
Full load speed : 3510 rpm  
Slip : 2.50 %  
Voltage : 208-230/460 V  
Rated current : 43.2-38.8/19.4 A  
Locked rotor current : 264/132 A  
Locked rotor current (I<sub>L</sub>/I<sub>n</sub>) : 6.8  
No-load current : 7.70/3.85 A  
Full load torque : 14.8 lb.ft  
Locked rotor torque : 220 %  
Breakdown torque : 270 %  
Design : ---  
Insulation class : F  
Temperature rise : 80 K  
Locked rotor time : 6 s (hot)  
Service factor : 1.15  
Duty cycle : S1  
Ambient temperature : -20°C - +40°C  
Altitude : 1000 m  
Degree of Protection : IP55  
Approximate weight : 158 lb  
Moment of inertia : 0.52847 sq.ft.lb  
Noise level : ---

	D.E.	N.D.E.	Load	Power factor	Efficiency (%)
Bearings	6308 ZZ	6206 ZZ	100%	0.95	86.0
Regreasing interval	---	---	75%	0.94	85.0
Grease amount	---	---	50%	0.91	83.0

Notes:

Downloaded from <http://dealerselectric.com>  
Generated for Model #01036ES1E215T

Performed by

Checked



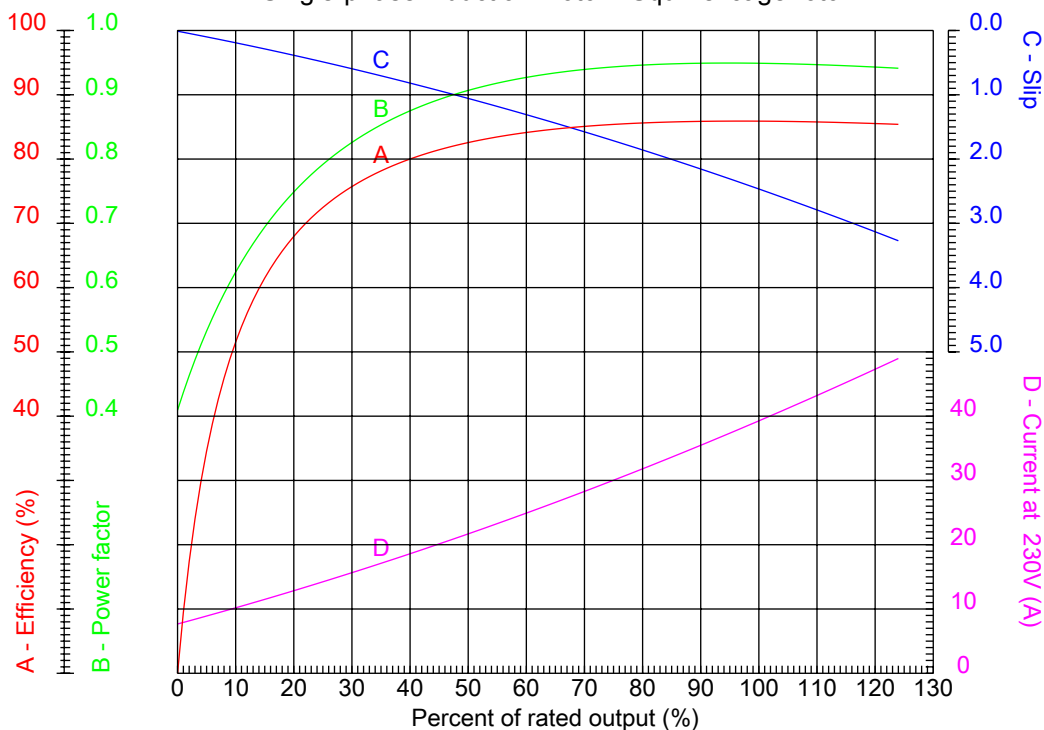
# Dealers Industrial Equipment

No.:

Date: 13-SEP-2016

## PERFORMANCE CURVES RELATED TO RATED OUTPUT

Single-phase induction motor - Squirrel cage rotor



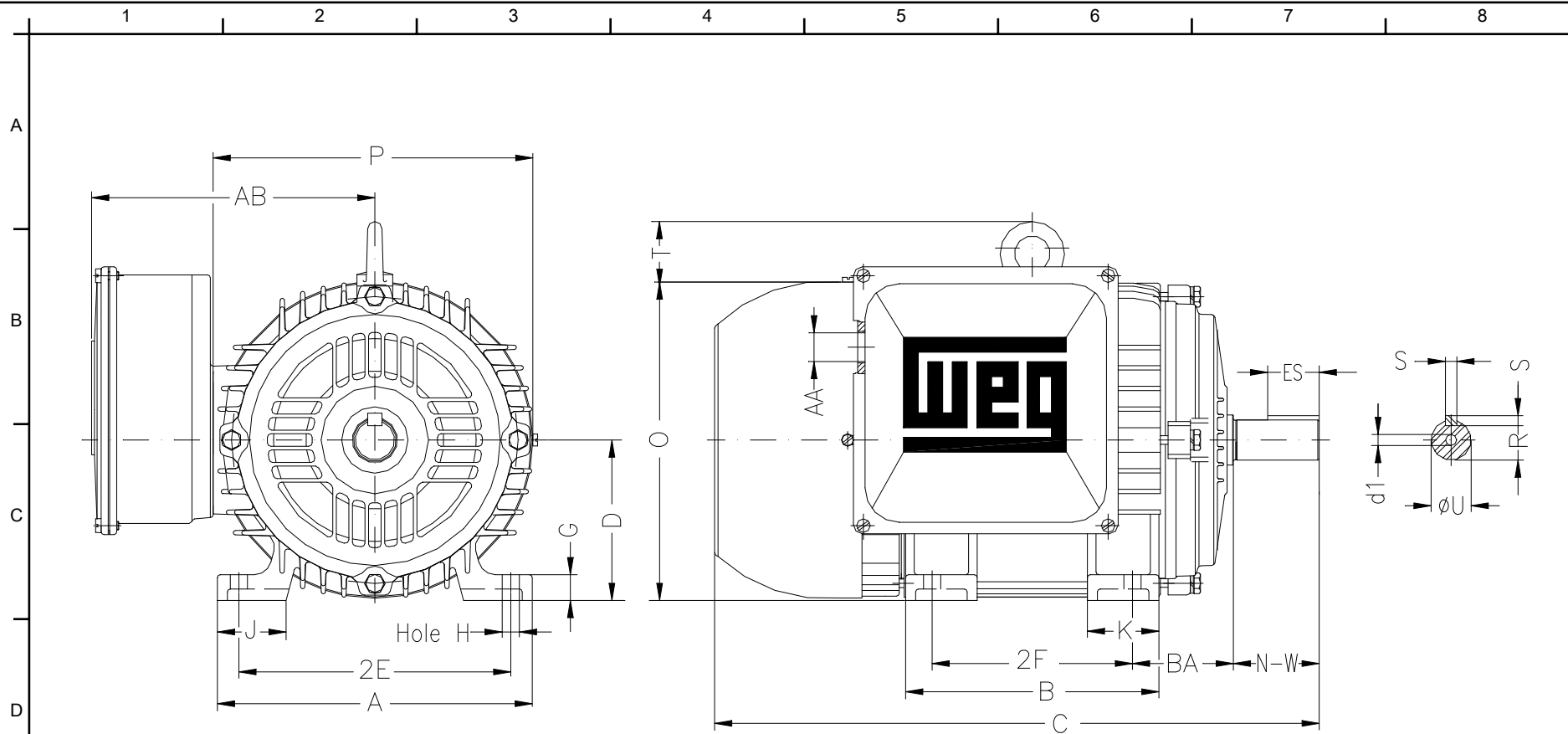
Customer :  
 Product line : Single-Phase : W21 TEFC (IP55)

Frame	: 215T	Locked rotor current (I <sub>L</sub> /I <sub>n</sub> )	: 6.8
Output	: 10 HP	Duty cycle	: S1
Frequency	: 60 Hz	Service factor	: 1.15
Full load speed	: 3510 rpm	Design	: ---
Voltage	: 208-230/460 V	Locked rotor torque	: 220 %
Rated current	: 43.2-38.8/19.4 A	Breakdown torque	: 270 %
Insulation class	: F		

Notes:  
 Downloaded from <http://dealerselectric.com>  
 Generated for Model #01036ES1E215T

Performed by

Checked



Notes: Downloaded from <http://dealerselectric.com>  
 Generated for Model #01036ES1E215T

Performed by:

Checked:

Customer:

Single-Phase : W21 TEFC (IP55)

2E	2F	H	BA	A
8.500	7.000	0.406	3.500	9.764
B	C	D	G	J
8.858	19.567	5.250	0.827	2.008
K	O	P	ES	S
2.165	10.841	10.630	2.480	0.313
N-W	U	R	AB	AA
3.375	1.375	1.203	9.055	NPT 1"
d1				
A4				

Single-phase induction motor  
 Frame 215T - IP55

13-SEP-2016

