



Dealers Industrial Equipment

No.:

Date: 13-SEP-2016

Customer :

TECHNICAL PROPOSAL

Single-phase induction motor - Squirrel cage rotor

Product line : Close Coupled Pump : Single-Phase - "JM" Type - TEFC - Standard Efficiency

Catalog Number : 01036ES1E215JM

List Price : \$2,172

Notes:

Downloaded from <http://dealerselectric.com>

Generated for Model #01036ES1E215JM

Performed by:

Checked:



Dealers Industrial Equipment

No.:

Date: 13-SEP-2016

DATA SHEET Single-phase induction motor - Squirrel cage rotor

Customer :
Product line : Close Coupled Pump : Single-Phase - "JM" Type - TEFC - Standard Efficiency

Frame : 215JM
Output : 10 HP
Frequency : 60 Hz
Poles : 2
Full load speed : 3510 rpm
Slip : 2.50 %
Voltage : 208-230/460 V
Rated current : 43.2-38.8/19.4 A
Locked rotor current : 264/132 A
Locked rotor current (I/In) : 6.8
No-load current : 7.70/3.85 A
Full load torque : 14.8 lb.ft
Locked rotor torque : 220 %
Breakdown torque : 270 %
Design : ---
Insulation class : B
Temperature rise : 80 K
Locked rotor time : 6 s (hot)
Service factor : 1.15
Duty cycle : S1
Ambient temperature : -20°C - +40°C
Altitude : 1000 m
Degree of Protection : IP55
Approximate weight : 155 lb
Moment of inertia : 0.52847 sq.ft.lb
Noise level : ---

	D.E.	N.D.E.
Bearings	6309 ZZ	6206 ZZ
Regreasing interval	---	---
Grease amount	---	---

Load	Power factor	Efficiency (%)
100%	0.95	86.0
75%	0.94	85.0
50%	0.91	83.0

Notes:
Downloaded from <http://dealerselectric.com>
Generated for Model #01036ES1E215JM

Performed by

Checked

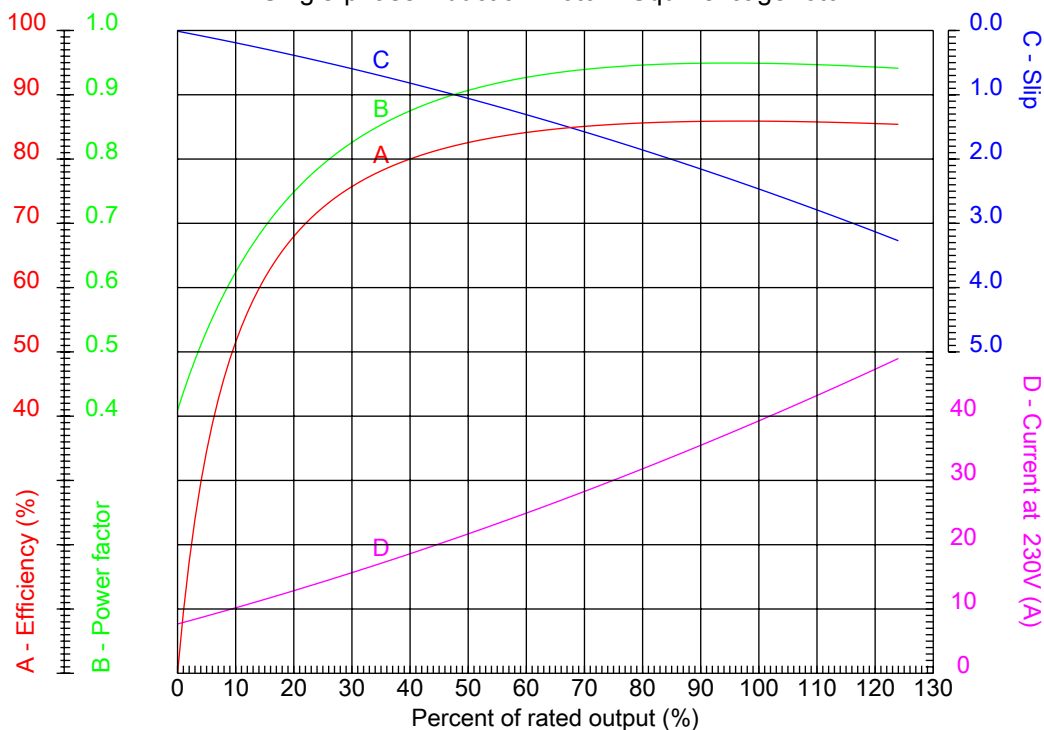


Dealers Industrial Equipment

No.:

Date: 13-SEP-2016

PERFORMANCE CURVES RELATED TO RATED OUTPUT Single-phase induction motor - Squirrel cage rotor



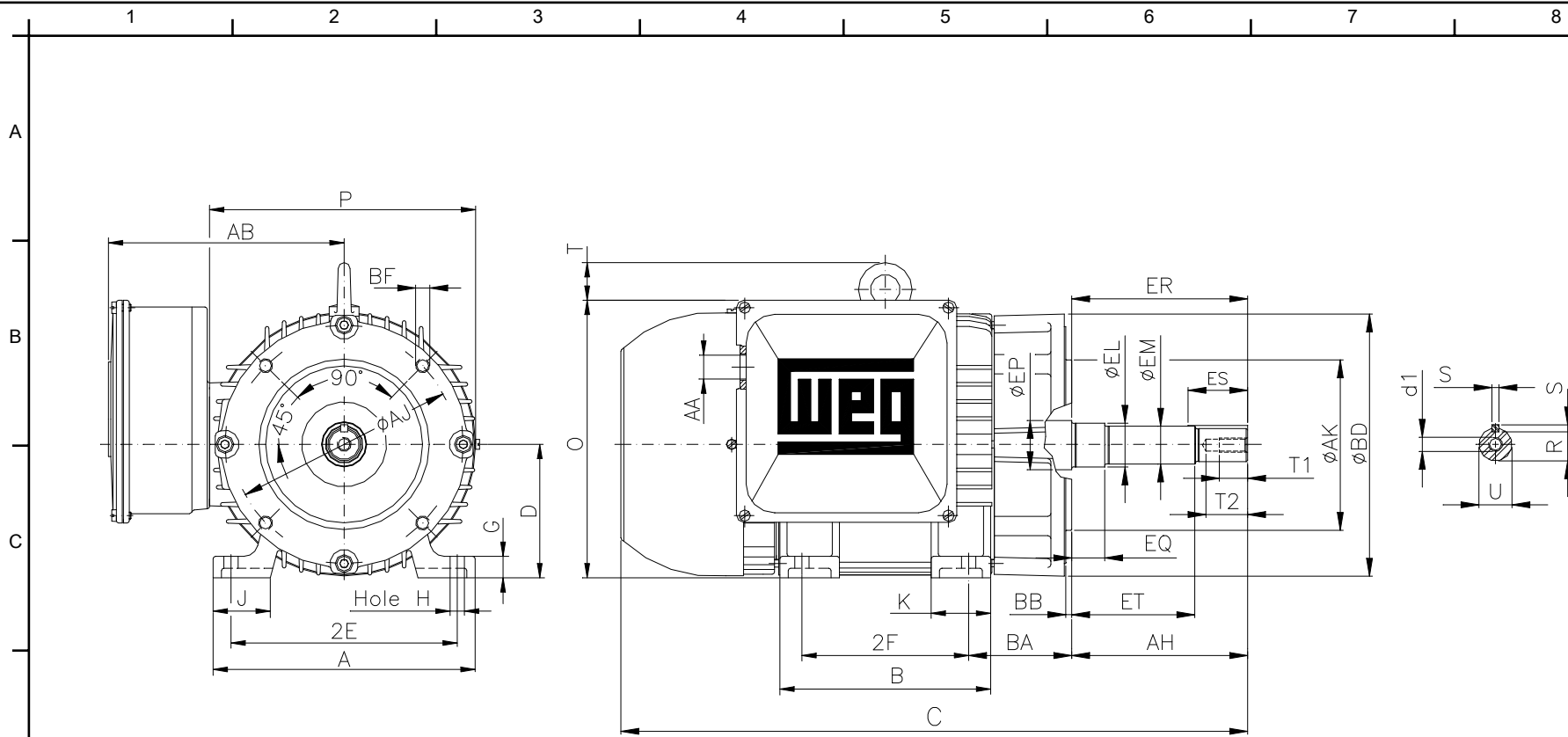
Customer :
 Product line : Close Coupled Pump : Single-Phase - "JM" Type - TEFC - Standard Efficiency

Frame	: 215JM	Locked rotor current (I _l /I _n)	: 6.8
Output	: 10 HP	Duty cycle	: S1
Frequency	: 60 Hz	Service factor	: 1.15
Full load speed	: 3510 rpm	Design	: ---
Voltage	: 208-230/460 V	Locked rotor torque	: 220 %
Rated current	: 43.2-38.8/19.4 A	Breakdown torque	: 270 %
Insulation class	: B		

Notes:
 Downloaded from <http://dealerselectric.com>
 Generated for Model #01036ES1E215JM

Performed by

Checked



Notes: Downloaded from <http://dealerselectric.com>
 Generated for Model #01036ES1E215JM

2E	2F	H	BA	A
8.500	7.000	0.406	3.500	9.764
B	D	G	J	K
8.858	5.250	0.827	2.008	2.165
O	P	AB	AA	ER
10.841	10.630	8.071	NPT 1"	4.258
EQ	ET	U	EM	EL
0.630	2.880	0.874	1.000	1.250
EP	S	R	ES	d1
1.770	0.187	0.767	1.654	EUNC 3/8"-16
t1	t2	C	Flange	AJ
0.748	1.102	20.400	FC-184	7.252
AK	BD	BF	BB	AH
8.500	8.858	UNC 1/2"x13	0.248	4.258

Performed by:

Checked:

Customer:

Close Coupled Pump : Single-Phase - "JM" Type - TEFC - Standard Efficiency

Single-phase induction motor
 Frame 215JM - IP55

13-SEP-2016

