



Dealers Industrial Equipment

No.:

Date: 13-SEP-2016

Customer :

TECHNICAL PROPOSAL

Three-phase induction motor - Squirrel cage rotor

Product line : Close Coupled Pump: Three-Phase - W22 "JM" Type - TEFC - High Efficiency

Catalog Number : 01036EP3H215JM-W22

List Price : \$>(discontinued)

Notes:

Downloaded from <http://dealerselectric.com>

Generated for Model #01036EP3H215JM-W22

Performed by:

Checked:



Dealers Industrial Equipment

No.:

Date: 13-SEP-2016

DATA SHEET

Three-phase induction motor - Squirrel cage rotor

Customer :
 Product line : Close Coupled Pump: Three-Phase - W22 "JM" Type - TEFC - High Efficiency

Frame : 213/5JM
 Output : 10 HP
 Frequency : 60 Hz
 Poles : 2
 Full load speed : 3510 rpm
 Slip : 2.50 %
 Voltage : 575 V
 Rated current : 9.44 A
 Locked rotor current : 62.3 A
 Locked rotor current (I_L/I_n) : 6.6
 No-load current : 3.04 A
 Full load torque : 14.8 lb.ft
 Locked rotor torque : 200 %
 Breakdown torque : 270 %
 Design : B
 Insulation class : F
 Temperature rise : 80 K
 Locked rotor time : 19 s (hot)
 Service factor : 1.25
 Duty cycle : S1
 Ambient temperature : -20°C - +40°C
 Altitude : 1000 m
 Degree of Protection : IP55
 Approximate weight : 143 lb
 Moment of inertia : 0.46796 sq.ft.lb
 Noise level : 72 dB(A)

	D.E.	N.D.E.	Load	Power factor	Efficiency (%)
Bearings	6309 Z-C3	6207 ZZ	100%	0.90	89.5
Regreasing interval	19000 h	---	75%	0.87	89.5
Grease amount	13 g	---	50%	0.79	88.5

Notes:
 Downloaded from <http://dealerselectric.com>
 Generated for Model #01036EP3H215JM-W22

Performed by

Checked



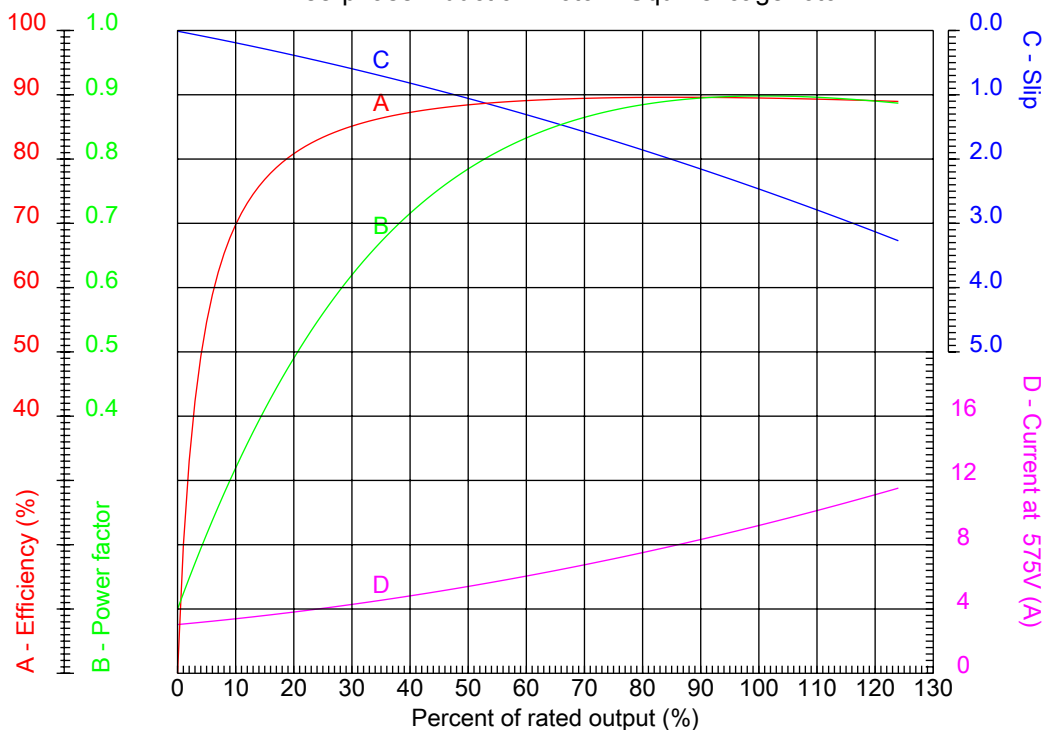
Dealers Industrial Equipment

No.:

Date: 13-SEP-2016

PERFORMANCE CURVES RELATED TO RATED OUTPUT

Three-phase induction motor - Squirrel cage rotor



Customer :
 Product line : Close Coupled Pump: Three-Phase - W22 "JM" Type - TEFC - High Efficiency

Frame	: 213/5JM	Locked rotor current (I _l /I _n)	: 6.6
Output	: 10 HP	Duty cycle	: S1
Frequency	: 60 Hz	Service factor	: 1.25
Full load speed	: 3510 rpm	Design	: B
Voltage	: 575 V	Locked rotor torque	: 200 %
Rated current	: 9.44 A	Breakdown torque	: 270 %
Insulation class	: F		

Notes:
 Downloaded from <http://dealerselectric.com>
 Generated for Model #01036EP3H215JM-W22

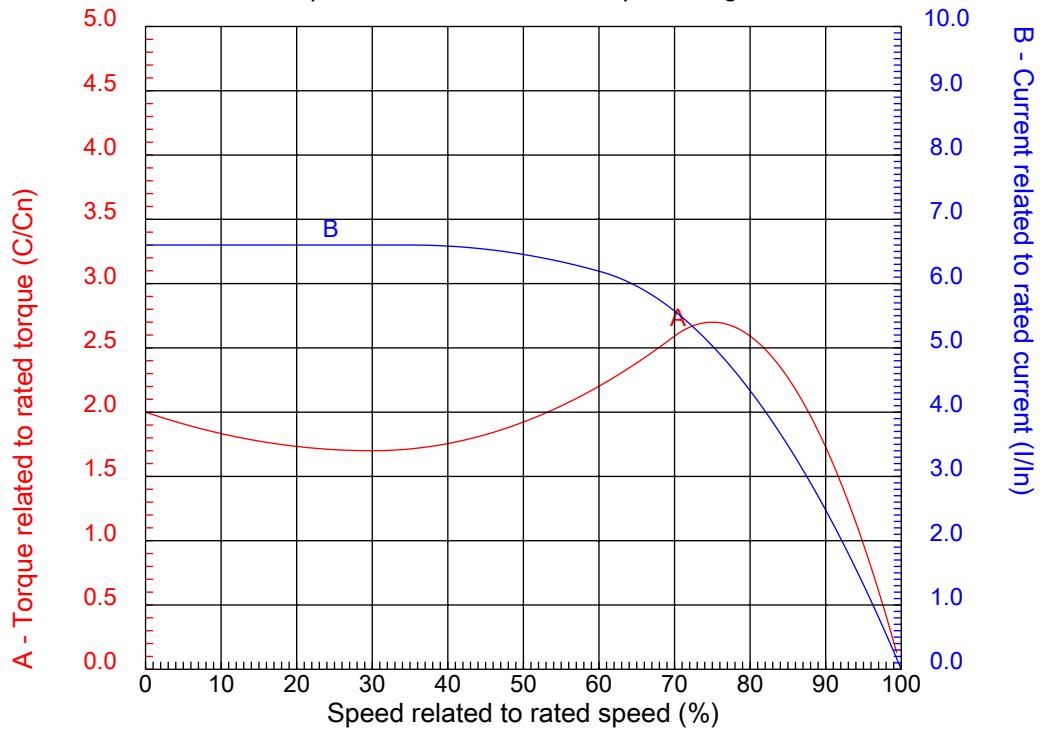
Performed by

Checked



CHARACTERISTIC CURVES RELATED TO SPEED

Three-phase induction motor - Squirrel cage rotor



Customer :
Product line : Close Coupled Pump: Three-Phase - W22 "JM" Type - TEFC - High Efficiency

Frame	: 213/5JM	Locked rotor current (I _l /I _n)	: 6.6
Output	: 10 HP	Duty cycle	: S1
Frequency	: 60 Hz	Service factor	: 1.25
Full load speed	: 3510 rpm	Design	: B
Voltage	: 575 V	Locked rotor torque	: 200 %
Rated current	: 9.44 A	Breakdown torque	: 270 %
Insulation class	: F		

Notes:
Downloaded from <http://dealerselectric.com>
Generated for Model #01036EP3H215JM-W22

Performed by

Checked

1 2 3 4 5 6 7 8

A

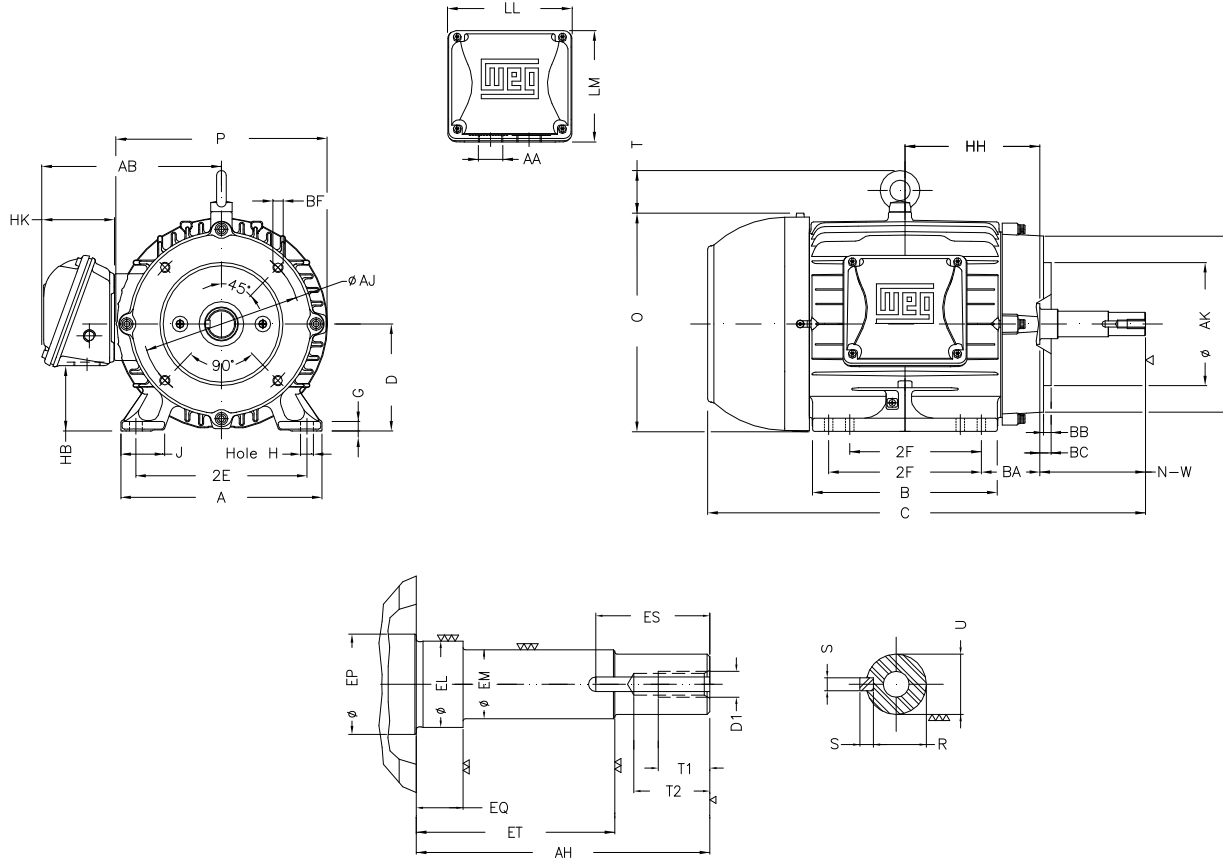
B

C

D

E

F



Notes: Downloaded from <http://dealerselectric.com>
Generated for Model #01036EP3H215JM-W22

Performed by:

Checked:

Customer:

Close Coupled Pump: Three-Phase - W22 "JM" Type - TEFC - High Efficiency

Three-phase induction motor
Frame 213/5JM - IP55

13-SEP-2016



2E	J	A	P	AB
8.500	1.772	9.764	10.669	8.583
2F	K	B	BA	D
5.500/7.000	2.165	8.858	3.500	5.250
G	O	T	H	AA
0.669	10.841	1.772	0.406	NPT 1"
EQ	ET	U	EM	EL
0.630	2.880	0.874	1.000	1.250
EP	ES	t1	t2	C
1.770	1.575	0.748	1.102	20.392
d1	HH	HK	HB	LL
EUNC 3/8"-16	7.000	3.150	2.985	5.512
LM	S	R	Flange	AJ
5.236	0.187	0.768	FC-184	7.252
AK	BD	BF	BB	AH
8.500	8.858	UNC 1/2"x13	0.248	4.258

1 2 3 4 5 6 7 8

A

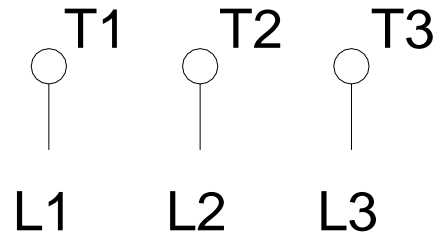
B

C

D

E

F



Notes: Downloaded from <http://dealerselectric.com>
Generated for Model #01036EP3H215JM-W22

Performed by:

Checked:

Customer:

Close Coupled Pump: Three-Phase - W22 "JM" Type - TEFC - High Efficiency

Three-phase induction motor
Frame 213/5JM - IP55

13-SEP-2016

