



Dealers Industrial Equipment

No.:

Date: 13-SEP-2016

Customer :

TECHNICAL PROPOSAL

Three-phase induction motor - Squirrel cage rotor

Product line : Three-Phase : Rolled Steel Motor - High Efficiency

Catalog Number : 01036EP3ERSR215TC

List Price : \$1,041

Notes:

Downloaded from <http://dealerselectric.com>

Generated for Model #01036EP3ERSR215TC

Performed by:

Checked:



Dealers Industrial Equipment

No.:

Date: 13-SEP-2016

DATA SHEET Three-phase induction motor - Squirrel cage rotor

Customer :
 Product line : Three-Phase : Rolled Steel Motor - High Efficiency

Frame : 215T
 Output : 10 HP
 Frequency : 60 Hz
 Poles : 2
 Full load speed : 3515 rpm
 Slip : 2.36 %
 Voltage : 230/460 V
 Rated current : 23.6/11.8 A
 Locked rotor current : 182/90.9 A
 Locked rotor current (I_L/I_n) : 7.7
 No-load current : 8.00/4.00 A
 Full load torque : 14.7 lb.ft
 Locked rotor torque : 250 %
 Breakdown torque : 300 %
 Design : B
 Insulation class : F
 Temperature rise : 80 K
 Locked rotor time : 18 s (hot)
 Service factor : 1.15
 Duty cycle : S1
 Ambient temperature : -20°C - +40°C
 Altitude : 1000 m
 Degree of Protection : IP55
 Approximate weight : 133 lb
 Moment of inertia : 0.57664 sq.ft.lb
 Noise level : ---

	D.E.	N.D.E.
Bearings	6208 ZZ	6206 ZZ
Regreasing interval	---	---
Grease amount	---	---

Load	Power factor	Efficiency (%)
100%	0.89	89.5
75%	0.85	90.5
50%	0.76	89.5

Notes:
 Downloaded from <http://dealerselectric.com>
 Generated for Model #01036EP3ERSR215TC

Performed by

Checked



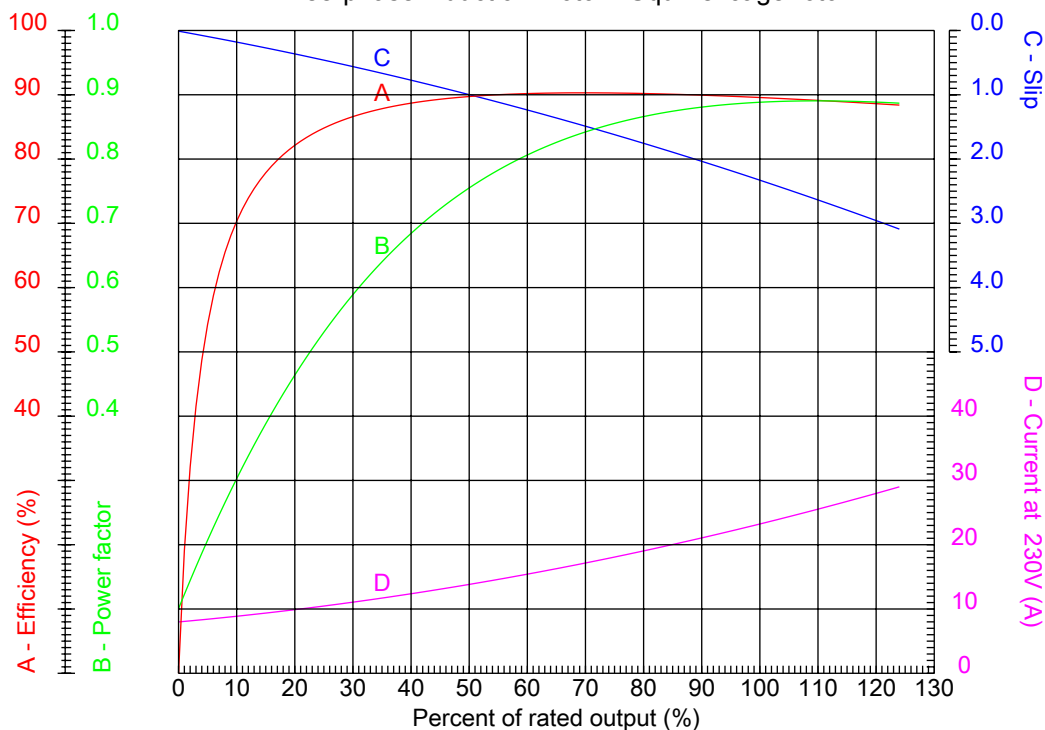
Dealers Industrial Equipment

No.:

Date: 13-SEP-2016

PERFORMANCE CURVES RELATED TO RATED OUTPUT

Three-phase induction motor - Squirrel cage rotor



Customer :
Product line : Three-Phase : Rolled Steel Motor - High Efficiency

Frame	: 215T	Locked rotor current (I _l /I _n)	: 7.7
Output	: 10 HP	Duty cycle	: S1
Frequency	: 60 Hz	Service factor	: 1.15
Full load speed	: 3515 rpm	Design	: B
Voltage	: 230/460 V	Locked rotor torque	: 250 %
Rated current	: 23.6/11.8 A	Breakdown torque	: 300 %
Insulation class	: F		

Notes:
Downloaded from <http://dealerselectric.com>
Generated for Model #01036EP3ERSR215TC

Performed by

Checked



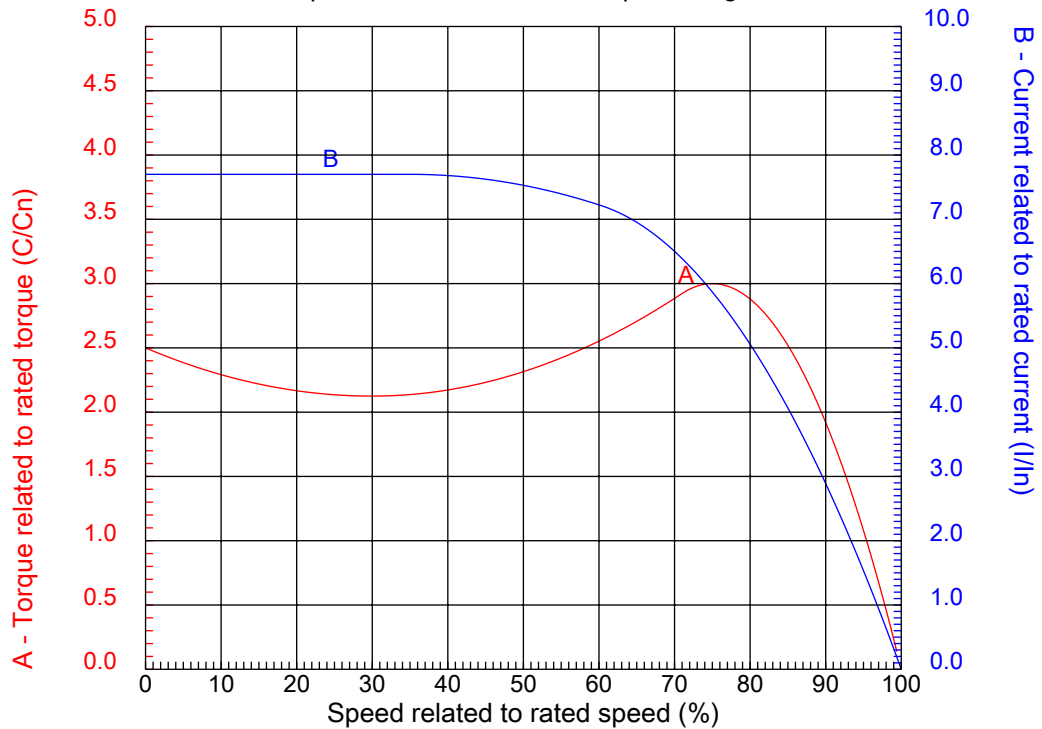
Dealers Industrial Equipment

No.:

Date: 13-SEP-2016

CHARACTERISTIC CURVES RELATED TO SPEED

Three-phase induction motor - Squirrel cage rotor



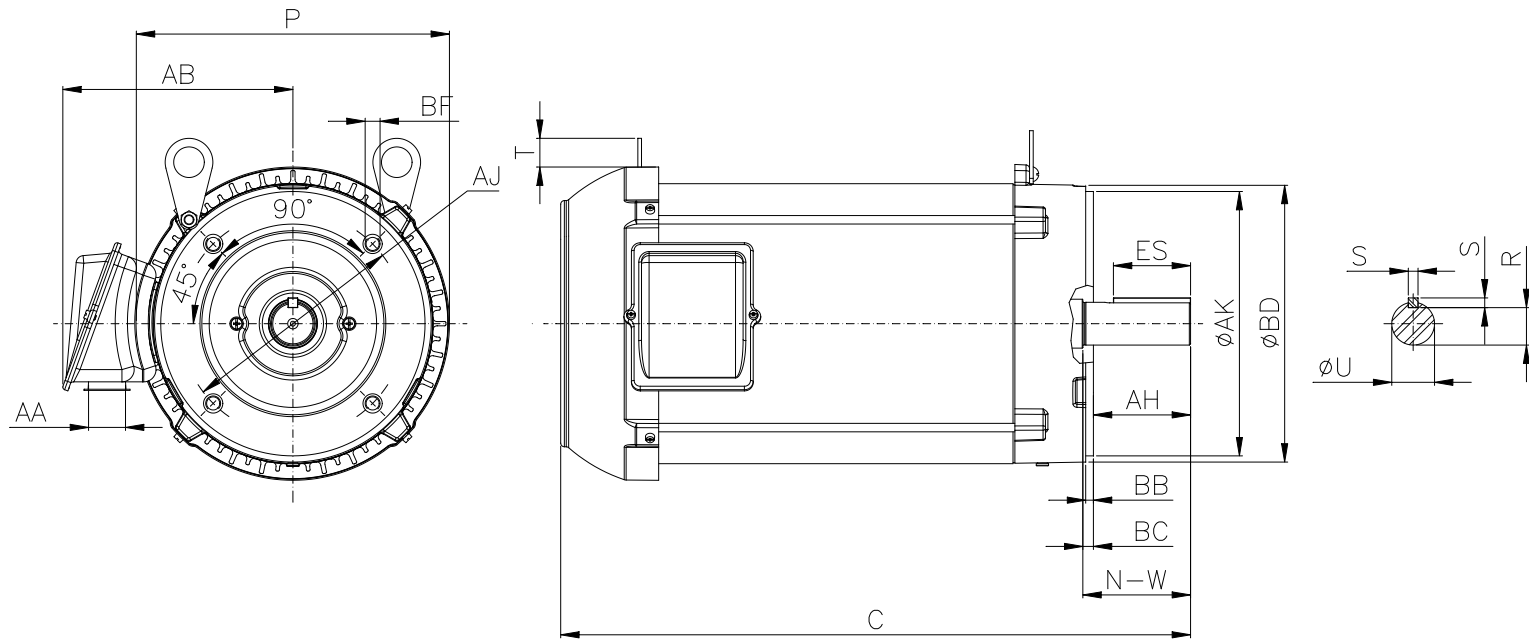
Customer :
Product line : Three-Phase : Rolled Steel Motor - High Efficiency

Frame	: 215T	Locked rotor current (I _l /I _n)	: 7.7
Output	: 10 HP	Duty cycle	: S1
Frequency	: 60 Hz	Service factor	: 1.15
Full load speed	: 3515 rpm	Design	: B
Voltage	: 230/460 V	Locked rotor torque	: 250 %
Rated current	: 23.6/11.8 A	Breakdown torque	: 300 %
Insulation class	: F		

Notes:
Downloaded from <http://dealerselectric.com>
Generated for Model #01036EP3ERSR215TC

Performed by

Checked



Notes: Downloaded from <http://dealerselectric.com>
Generated for Model #01036EP3ERSR215TC

Performed by:

Checked:

Customer:

Three-Phase : Rolled Steel Motor - High Efficiency

P	AB	U	N-W	ES
10.071	7.398	1.375	3.375	2.480
S	R	depth	C	d1
0.313	1.203	0.313	20.257	A 4
d2	Flange	AJ	AK	BD
A 4	FC-184	7.250	8.500	8.875
BF	BB	BC	AH	
UNC 1/2"x13	0.250	0.250	3.125	

Three-phase induction motor
Frame 215T - IP55

13-SEP-2016

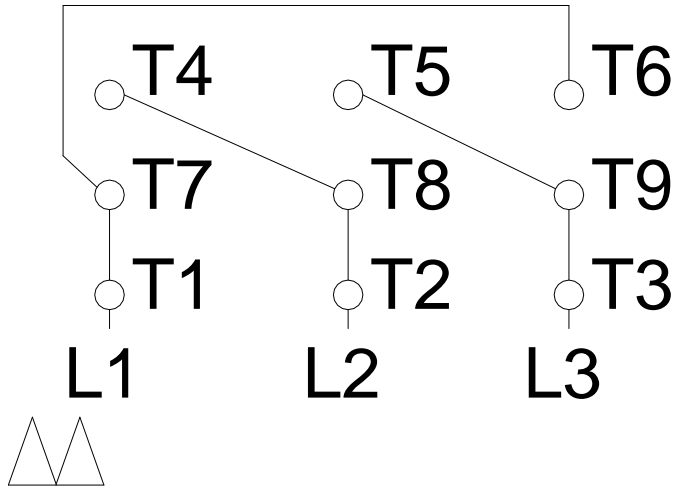


1 2 3 4 5 6 7 8

LOW VOLTAGE

HIGH VOLTAGE

A
B
C
D
E
F



Notes: Downloaded from http://dealerselectric.com Generated for Model #01036EP3ERSR215TC		
Performed by:		
Checked:		
Customer:		
Three-Phase : Rolled Steel Motor - High Efficiency		
Three-phase induction motor Frame 215T - IP55	13-SEP-2016	