



# Dealers Industrial Equipment

No.:

Date: 13-SEP-2016

Customer :

## TECHNICAL PROPOSAL

### Three-phase induction motor - Squirrel cage rotor

Product line : W22 High Efficiency

Catalog Number : 01036EP3ER215TC-W22

List Price : \$1,195

#### Notes:

Downloaded from <http://dealerselectric.com>

Generated for Model #01036EP3ER215TC-W22

Performed by:

Checked:



# Dealers Industrial Equipment

No.:

Date: 13-SEP-2016

## DATA SHEET Three-phase induction motor - Squirrel cage rotor

Customer :  
Product line : W22 High Efficiency

Frame : 215T  
Output : 10 HP  
Frequency : 60 Hz  
Poles : 2  
Full load speed : 3510 rpm  
Slip : 2.50 %  
Voltage : 230/460 V  
Rated current : 23.6/11.8 A  
Locked rotor current : 156/77.9 A  
Locked rotor current (I<sub>L</sub>/I<sub>n</sub>) : 6.6  
No-load current : 7.60/3.80 A  
Full load torque : 14.8 lb.ft  
Locked rotor torque : 200 %  
Breakdown torque : 270 %  
Design : B  
Insulation class : F  
Temperature rise : 80 K  
Locked rotor time : 19 s (hot)  
Service factor : 1.25  
Duty cycle : S1  
Ambient temperature : -20°C - +40°C  
Altitude : 1000 m  
Degree of Protection : IP55  
Approximate weight : 143 lb  
Moment of inertia : 0.46796 sq.ft.lb  
Noise level : 72 dB(A)

	D.E.	N.D.E.
Bearings	6308 ZZ	6207 ZZ
Regreasing interval	---	---
Grease amount	---	---

Load	Power factor	Efficiency (%)
100%	0.90	89.5
75%	0.87	89.5
50%	0.79	88.5

Notes:  
Downloaded from <http://dealerselectric.com>  
Generated for Model #01036EP3ER215TC-W22

Performed by

Checked



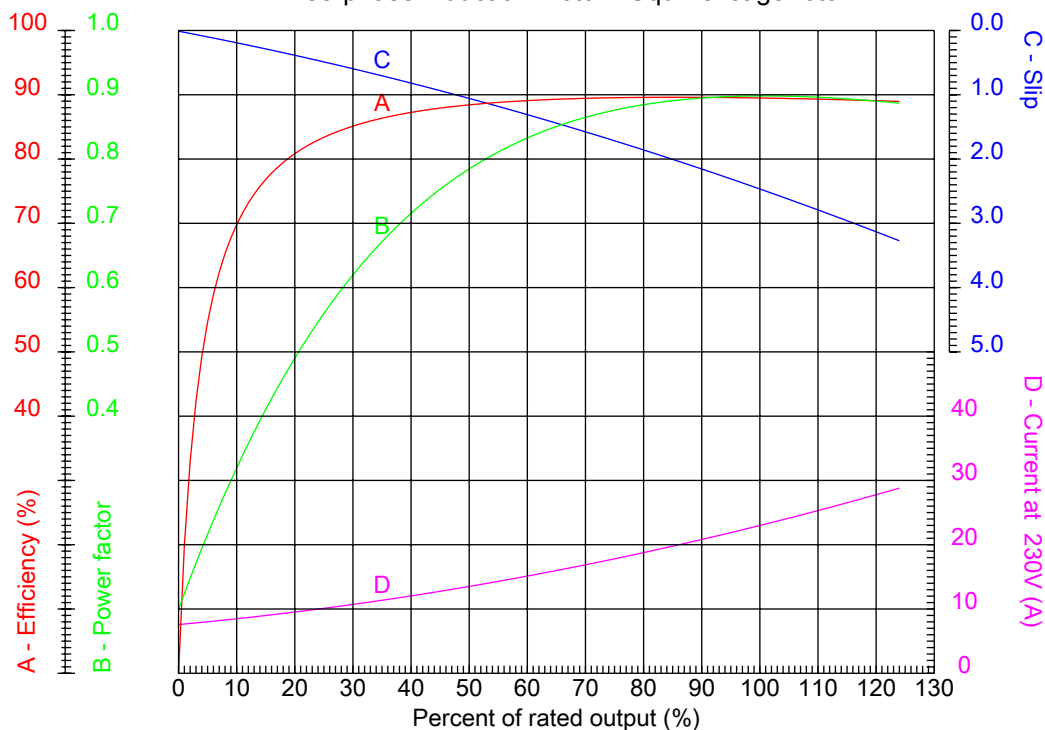
# Dealers Industrial Equipment

No.:

Date: 13-SEP-2016

## PERFORMANCE CURVES RELATED TO RATED OUTPUT

Three-phase induction motor - Squirrel cage rotor



Customer :  
Product line : W22 High Efficiency

Frame : 215T	Locked rotor current (I <sub>L</sub> /I <sub>n</sub> ) : 6.6
Output : 10 HP	Duty cycle : S1
Frequency : 60 Hz	Service factor : 1.25
Full load speed : 3510 rpm	Design : B
Voltage : 230/460 V	Locked rotor torque : 200 %
Rated current : 23.6/11.8 A	Breakdown torque : 270 %
Insulation class : F	

Notes:  
Downloaded from <http://dealerselectric.com>  
Generated for Model #01036EP3ER215TC-W22

Performed by

Checked



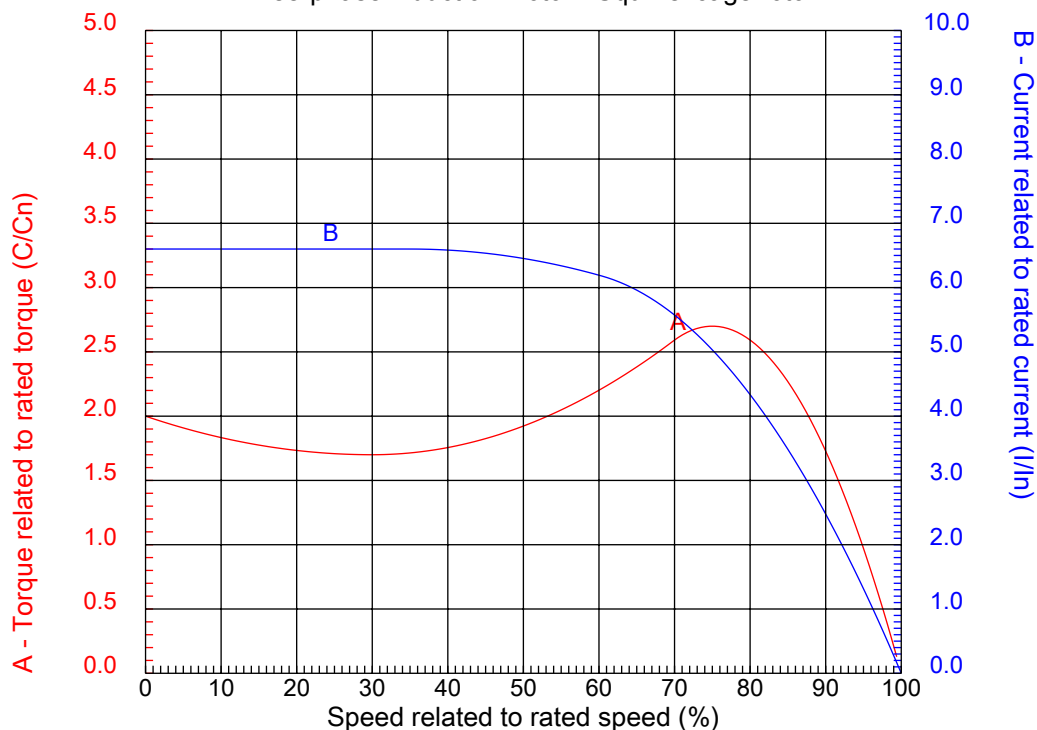
# Dealers Industrial Equipment

No.:

Date: 13-SEP-2016

## CHARACTERISTIC CURVES RELATED TO SPEED

Three-phase induction motor - Squirrel cage rotor



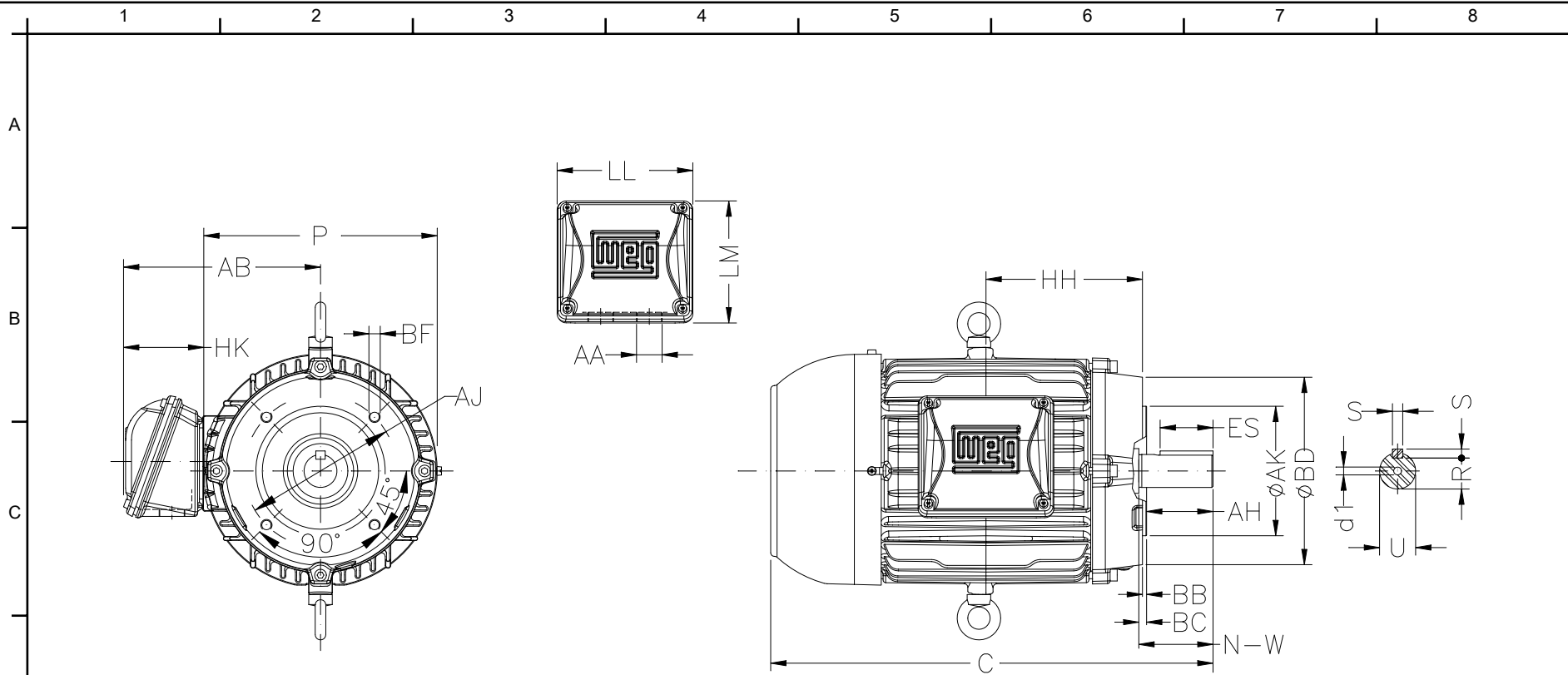
Customer :  
Product line : W22 High Efficiency

Frame	: 215T	Locked rotor current (I <sub>l</sub> /I <sub>n</sub> )	: 6.6
Output	: 10 HP	Duty cycle	: S1
Frequency	: 60 Hz	Service factor	: 1.25
Full load speed	: 3510 rpm	Design	: B
Voltage	: 230/460 V	Locked rotor torque	: 200 %
Rated current	: 23.6/11.8 A	Breakdown torque	: 270 %
Insulation class	: F		

Notes:  
Downloaded from <http://dealerselectric.com>  
Generated for Model #01036EP3ER215TC-W22

Performed by

Checked



Notes: Downloaded from <http://dealerselectric.com>  
 Generated for Model #01036EP3ER215TC-W22

Performed by:

Checked:

Customer:

P	AB	U	N-W	ES
10.669	8.583	1.375	3.375	2.480
S	R	depth	HH	HK
0.313	1.203	0.313	7.000	3.150
C	LL	LM	AA	d1
19.517	5.512	5.236	NPT 1"	A 4
Flange	AJ	AK	BD	BF
FC-184	7.250	8.500	8.875	UNC 1/2"x13
BB	BC	AH		
0.250	0.250	3.125		

W22 High Efficiency

Three-phase induction motor  
 Frame 215T - IP55

13-SEP-2016

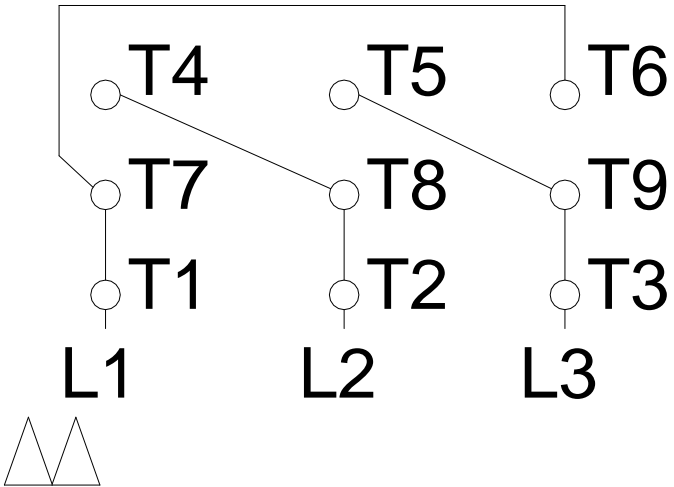


1 2 3 4 5 6 7 8

# LOW VOLTAGE

# HIGH VOLTAGE

A  
B  
C  
D  
E  
F



Notes: Downloaded from <a href="http://dealerselectric.com">http://dealerselectric.com</a> Generated for Model #01036EP3ER215TC-W22		
Performed by:		
Checked:		
Customer:		
W22 High Efficiency		
Three-phase induction motor Frame 215T - IP55	13-SEP-2016	