



Dealers Industrial Equipment

No.:

Date: 13-SEP-2016

Customer :

TECHNICAL PROPOSAL

Three-phase induction motor - Squirrel cage rotor

Product line : W22 Super Premium

Catalog Number : 01036EG3E215T-W22

List Price : \$1,465

Notes:

Downloaded from <http://dealerselectric.com>

Generated for Model #01036EG3E215T-W22

Performed by:

Checked:



Dealers Industrial Equipment

No.:

Date: 13-SEP-2016

DATA SHEET Three-phase induction motor - Squirrel cage rotor

Customer :
Product line : W22 Super Premium

Frame : 213/5T
Output : 10 HP
Frequency : 60 Hz
Poles : 2
Full load speed : 3535 rpm
Slip : 1.81 %
Voltage : 208-230/460 V
Rated current : 25.4-23.0/11.5 A
Locked rotor current : 184/92.0 A
Locked rotor current (I_L/I_n) : 8.0
No-load current : 8.40/4.20 A
Full load torque : 14.7 lb.ft
Locked rotor torque : 240 %
Breakdown torque : 320 %
Design : A
Insulation class : F
Temperature rise : 80 K
Locked rotor time : 34 s (hot)
Service factor : 1.25
Duty cycle : S1
Ambient temperature : -20°C - +40°C
Altitude : 1000 m
Degree of Protection : IP55
Approximate weight : 172 lb
Moment of inertia : 0.71854 sq.ft.lb
Noise level : 72 dB(A)

	D.E.	N.D.E.
Bearings	6308 ZZ	6207 ZZ
Regreasing interval	---	---
Grease amount	---	---

Load	Power factor	Efficiency (%)
100%	0.89	91.7
75%	0.85	91.0
50%	0.77	89.5

Notes:
Downloaded from <http://dealerselectric.com>
Generated for Model #01036EG3E215T-W22

Performed by

Checked



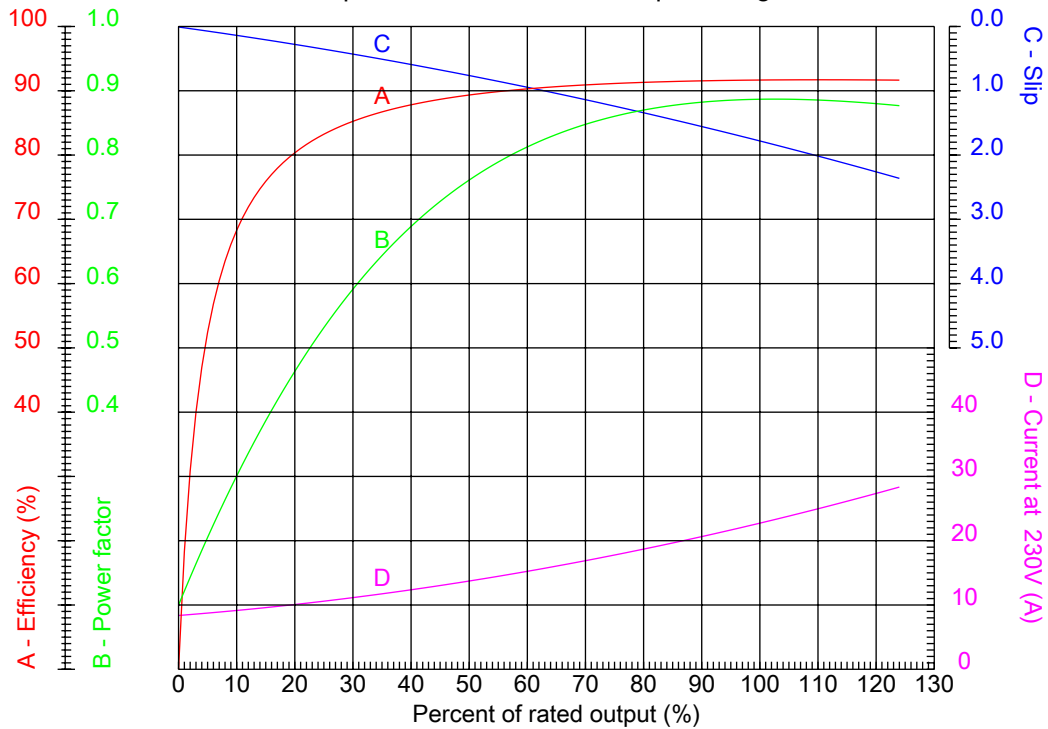
Dealers Industrial Equipment

No.:

Date: 13-SEP-2016

PERFORMANCE CURVES RELATED TO RATED OUTPUT

Three-phase induction motor - Squirrel cage rotor



Customer :
Product line : W22 Super Premium

Frame : 213/5T	Locked rotor current (I _l /I _n) : 8.0
Output : 10 HP	Duty cycle : S1
Frequency : 60 Hz	Service factor : 1.25
Full load speed : 3535 rpm	Design : A
Voltage : 208-230/460 V	Locked rotor torque : 240 %
Rated current : 25.4-23.0/11.5 A	Breakdown torque : 320 %
Insulation class : F	

Notes:
Downloaded from <http://dealerselectric.com>
Generated for Model #01036EG3E215T-W22

Performed by

Checked



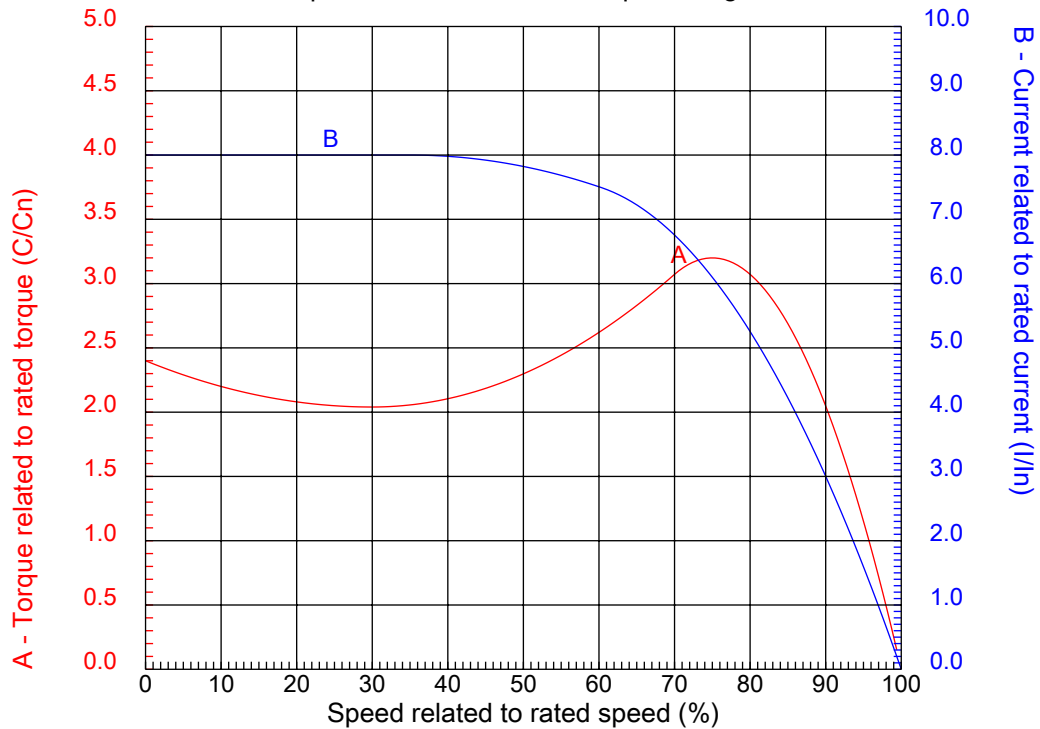
Dealers Industrial Equipment

No.:

Date: 13-SEP-2016

CHARACTERISTIC CURVES RELATED TO SPEED

Three-phase induction motor - Squirrel cage rotor



Customer :
Product line : W22 Super Premium

Frame	: 213/5T	Locked rotor current (I _l /I _n)	: 8.0
Output	: 10 HP	Duty cycle	: S1
Frequency	: 60 Hz	Service factor	: 1.25
Full load speed	: 3535 rpm	Design	: A
Voltage	: 208-230/460 V	Locked rotor torque	: 240 %
Rated current	: 25.4-23.0/11.5 A	Breakdown torque	: 320 %
Insulation class	: F		

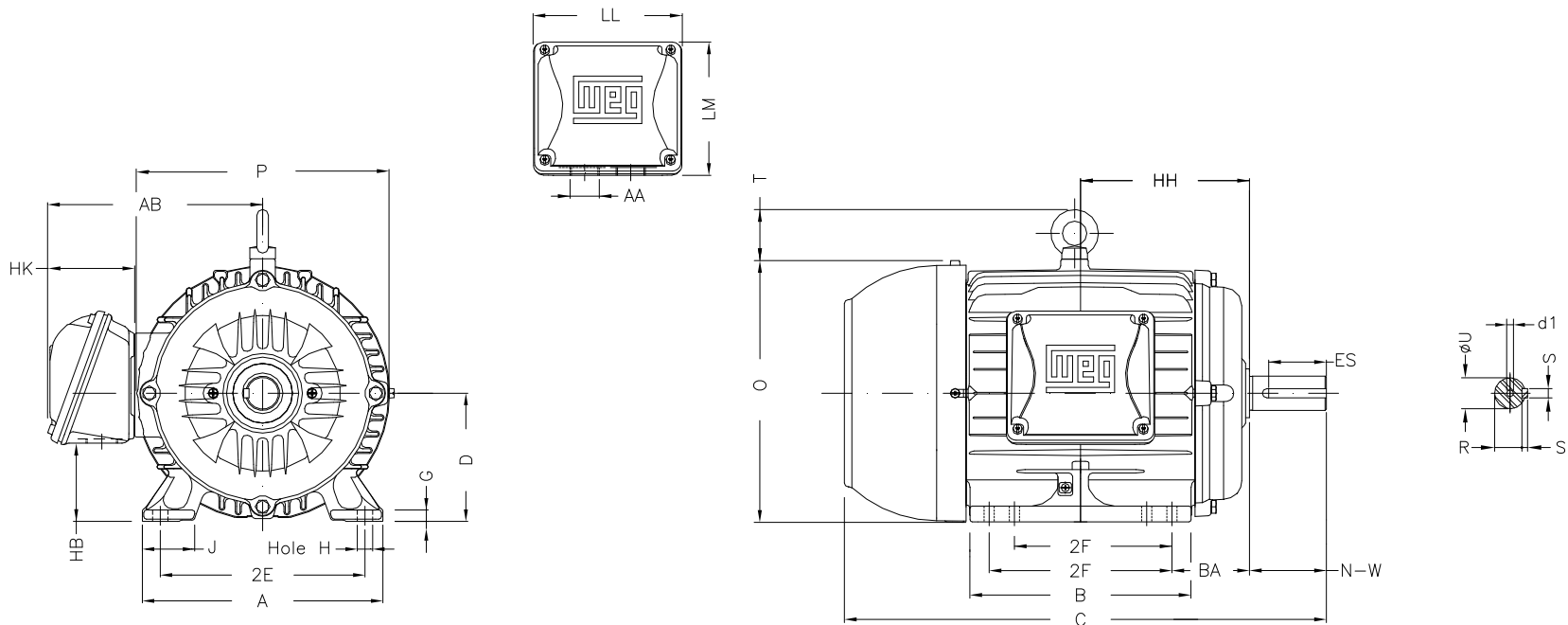
Notes:
Downloaded from <http://dealerselectric.com>
Generated for Model #01036EG3E215T-W22

Performed by

Checked

1 2 3 4 5 6 7 8

A
B
C
D
E
F



Notes: Downloaded from <http://dealerselectric.com>
Generated for Model #01036EG3E215T-W22

Performed by:

Checked:

Customer:

W22 Super Premium

Three-phase induction motor
Frame 213/5T - IP55

13-SEP-2016



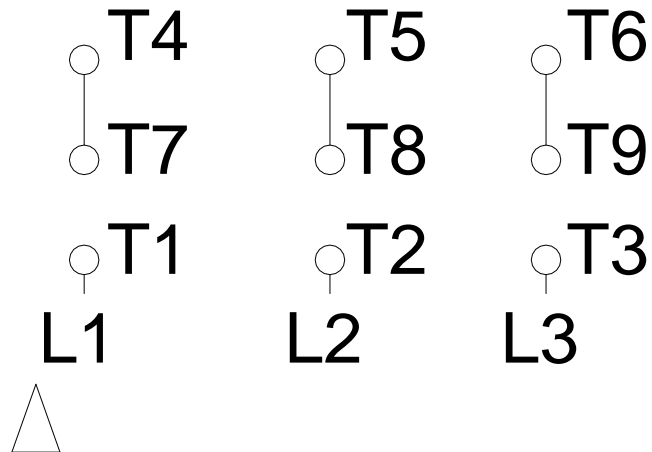
2E	J	A	P	AB
8.500	1.772	9.764	10.669	8.583
2F	K	B	BA	FBA
5.500/7.000	2.165	8.858	3.500	5.921
U	N-W	ES	S	R
1.375	3.375	2.480	0.313	1.203
depth	D	G	HB	O
0.313	5.250	0.669	2.985	10.841
T	HF	HH	HK	H
1.772	5.250	7.000	3.150	0.410
C	LL	LM	AA	d1
19.517	5.512	5.236	NPT 1"	A 4

1 2 3 4 5 6 7 8

LOW VOLTAGE

HIGH VOLTAGE

A
B
C
D
E
F



Notes: Downloaded from <http://dealerselectric.com>
Generated for Model #01036EG3E215T-W22

Performed by:

Checked:

Customer:

W22 Super Premium

Three-phase induction motor
Frame 213/5T - IP55

13-SEP-2016

