

DATA SHEET



Three Phase Induction Motor - Squirrel Cage

Customer		: Dealers Industrial Equipment				
Product line		: W21 Explosion-proof Motor NEMA Premium Efficiency Three-Phase		Product code :	14284619	
				Catalog # :	01018XT3E215TC	
Frame	: L215TC		Locked rotor time	: 27s (cold) 15s (hot)		
Output	: 10 HP (7.5 kW)		Temperature rise	: 80 K		
Poles	: 4		Duty cycle	: Cont.(S1)		
Frequency	: 60 Hz		Ambient temperature	: -20°C to +40°C		
Rated voltage	: 208-230/460 V		Altitude	: 1000 m.a.s.l.		
Rated current	: 28.1-25.4/12.7 A		Protection degree	: IP55		
L. R. Amperes	: 183-165/82.5 A		Cooling method	: IC411 - TEFC		
LRC	: 6.5x(Code H)		Mounting	: F-1		
No load current	: 9.48-11.0/5.50 A		Rotation ¹	: Both (CW and CCW)		
Rated speed	: 1765 rpm		Noise level ²	: 58.0 dB(A)		
Slip	: 1.94 %		Starting method	: Direct On Line		
Rated torque	: 29.4 ft.lb		Approx. weight ³	: 236 lb		
Locked rotor torque	: 210 %					
Breakdown torque	: 300 %					
Insulation class	: F					
Service factor	: 1.15					
Design	: B					
Output	25%	50%	75%	100%	Foundation loads	
Efficiency (%)	89.4	90.2	91.0	91.7	Max. traction : 379 lb	
Power Factor	0.42	0.62	0.75	0.81	Max. compression : 615 lb	
			<u>Drive end</u>		<u>Non drive end</u>	
Bearing type	:		6308 2RS		6207 2RS	
Sealing	:		Oil Seal		Lip Seal	
Lubrication interval	:		-		-	
Lubricant amount	:		-		-	
Lubricant type	:		Mobil Polyrex EM			
Notes						
This revision replaces and cancel the previous one, which must be eliminated. (1) Looking the motor from the shaft end. (2) Measured at 1m and with tolerance of +3dB(A). (3) Approximate weight subject to changes after manufacturing process. (4) At 100% of full load.			These are average values based on tests with sinusoidal power supply, subject to the tolerances stipulated in NEMA MG-1.			
Rev.	Changes Summary			Performed	Checked	Date
Performed by						
Checked by					Page	Revision
Date	13/11/2019				1 / 7	

DATA SHEET



Three Phase Induction Motor - Squirrel Cage

Customer : Dealers Industrial Equipment

Thermal protection

ID	Application	Type	Quantity	Sensing Temperature
1	Winding	Thermostat - 2 wires	1 x Phase	155 °C

Rev.	Changes Summary	Performed	Checked	Date
Performed by				
Checked by			Page	Revision
Date	13/11/2019		2 / 7	

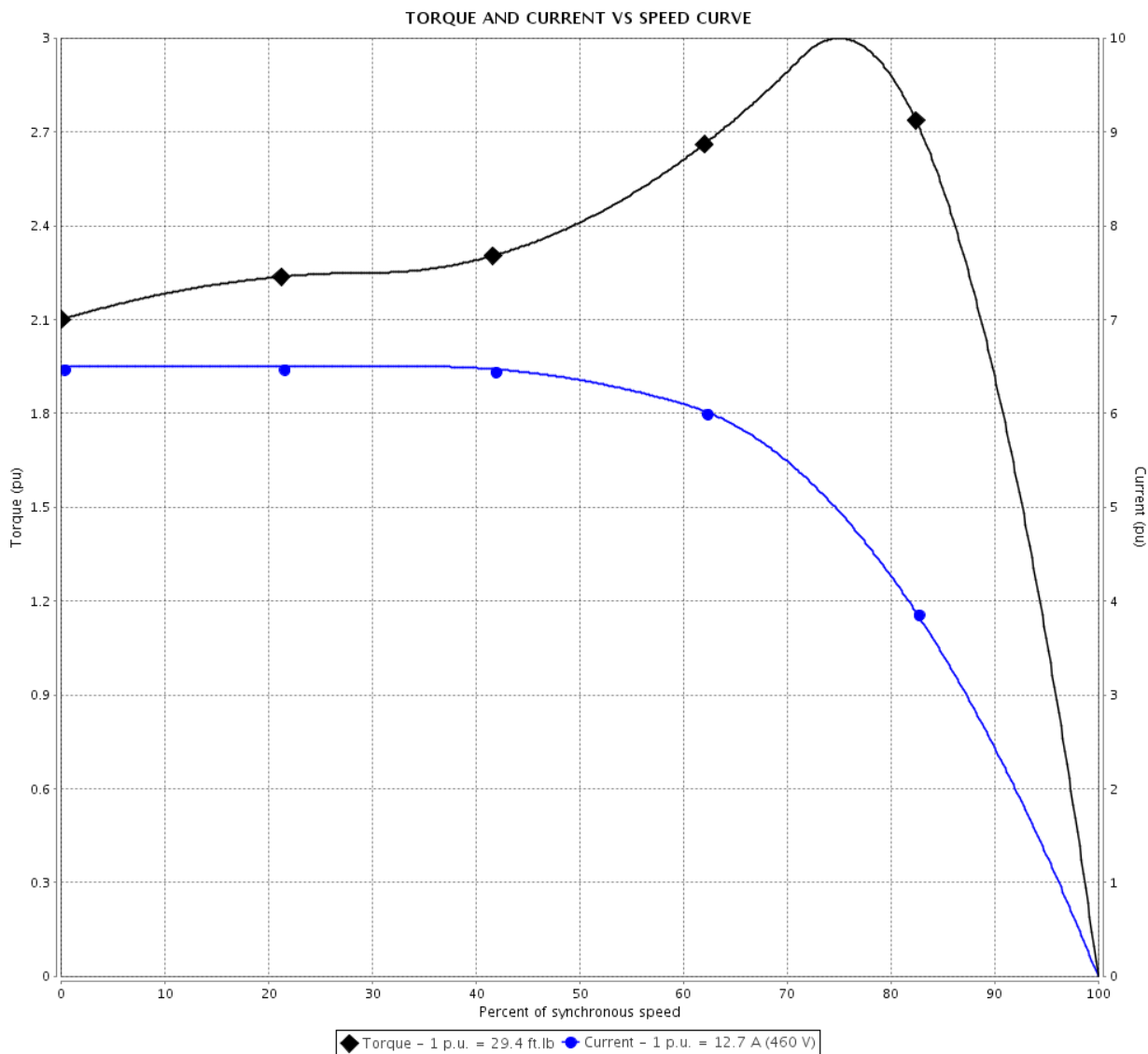
TORQUE AND CURRENT VS SPEED CURVE



Three Phase Induction Motor - Squirrel Cage

Customer : Dealers Industrial Equipment

Product line : W21 Explosion-proof Motor NEMA Premium Efficiency Three-Phase
 Product code : 14284619
 Catalog # : 01018XT3E215TC



Performance : 208-230/460 V 60 Hz 4P

Rated current : 28.1-25.4/12.7 A	Moment of inertia (J)
LRC : 6.5	Duty cycle : Cont.(S1)
Rated torque : 29.4 ft.lb	Insulation class : F
Locked rotor torque : 210 %	Service factor : 1.15
Breakdown torque : 300 %	Temperature rise : 80 K
Rated speed : 1765 rpm	Design : B

Locked rotor time : 27s (cold) 15s (hot)

Rev.	Changes Summary	Performed	Checked	Date
Performed by			Page	Revision
Checked by				
Date				

LOAD PERFORMANCE CURVE

Three Phase Induction Motor - Squirrel Cage

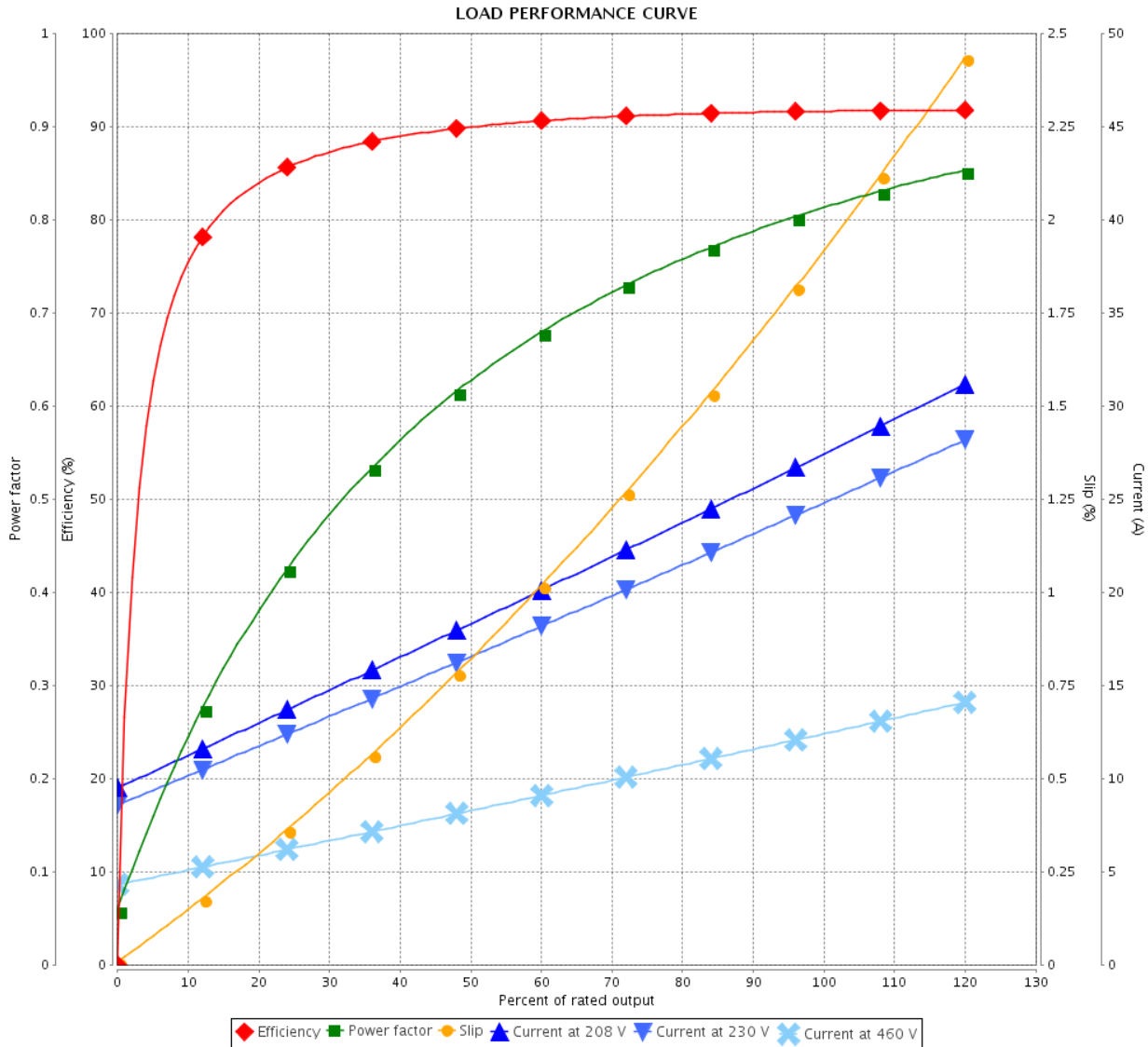


Customer : Dealers Industrial Equipment

Product line : W21 Explosion-proof Motor NEMA Premium Efficiency Three-Phase

Product code : 14284619

Catalog # : 01018XT3E215TC



Performance : 208-230/460 V 60 Hz 4P

Rated current : 28.1-25.4/12.7 A
 LRC : 6.5
 Rated torque : 29.4 ft.lb
 Locked rotor torque : 210 %
 Breakdown torque : 300 %
 Rated speed : 1765 rpm

Moment of inertia (J)
 Duty cycle : Cont.(S1)
 Insulation class : F
 Service factor : 1.15
 Temperature rise : 80 K
 Design : B

Rev.	Changes Summary	Performed	Checked	Date
Performed by			Page	Revision
Checked by				
Date				

THERMAL LIMIT CURVE



Three Phase Induction Motor - Squirrel Cage

Customer : Dealers Industrial Equipment

Product line : W21 Explosion-proof Motor NEMA Premium Efficiency Three-Phase
 Product code : 14284619
 Catalog # : 01018XT3E215TC

Performance : 208-230/460 V 60 Hz 4P

Rated current : 28.1-25.4/12.7 A	Moment of inertia (J)
LRC : 6.5	Duty cycle : Cont.(S1)
Rated torque : 29.4 ft.lb	Insulation class : F
Locked rotor torque : 210 %	Service factor : 1.15
Breakdown torque : 300 %	Temperature rise : 80 K
Rated speed : 1765 rpm	Design : B

Heating constant
 Cooling constant

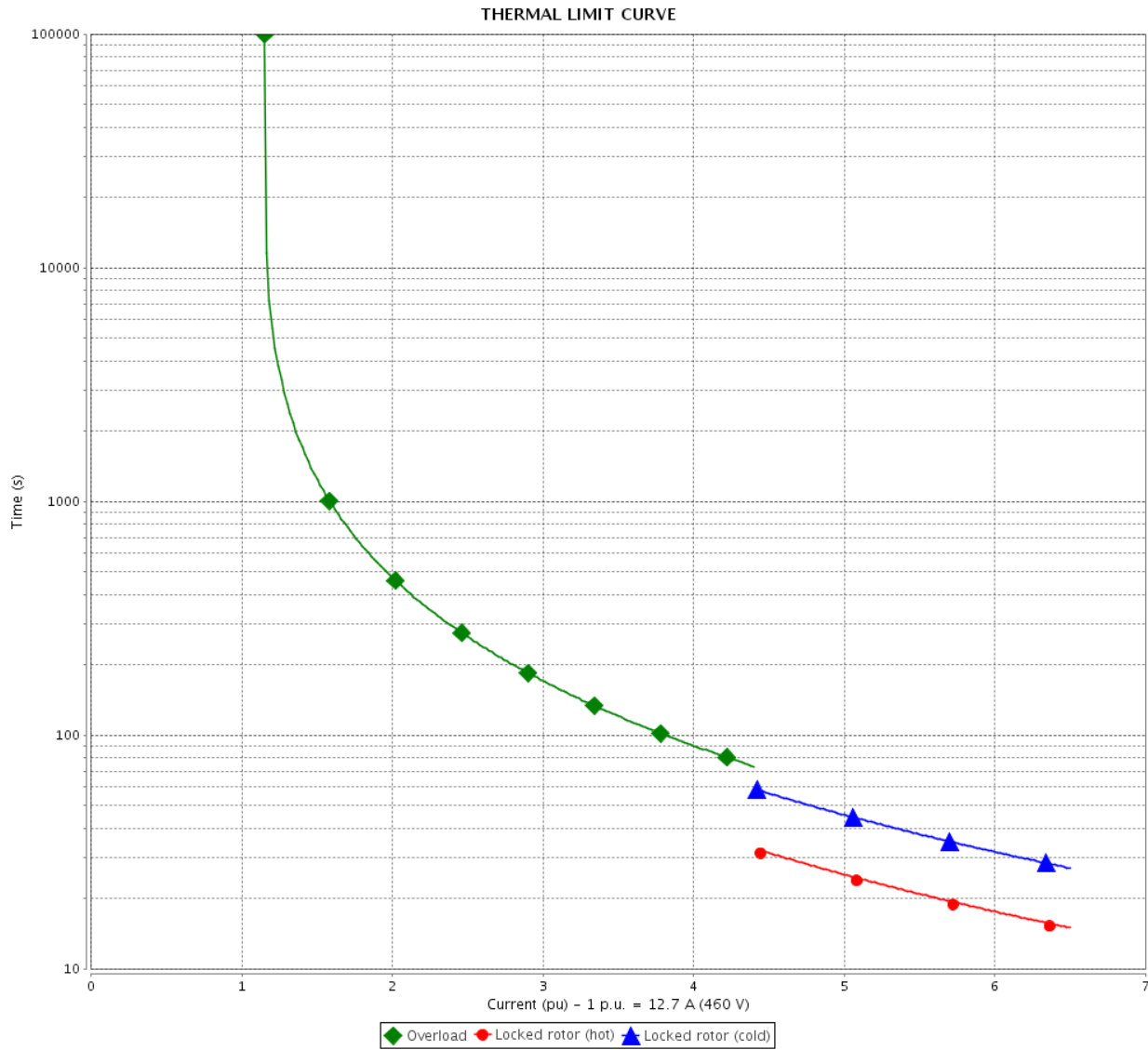
Rev.	Changes Summary	Performed	Checked	Date
Performed by			Page 5 / 7	Revision
Checked by				
Date	13/11/2019			

THERMAL LIMIT CURVE

Three Phase Induction Motor - Squirrel Cage



Customer : Dealers Industrial Equipment



Rev.	Changes Summary	Performed	Checked	Date
Performed by	13/11/2019	Page 6 / 7		Revision
Checked by				
Date				

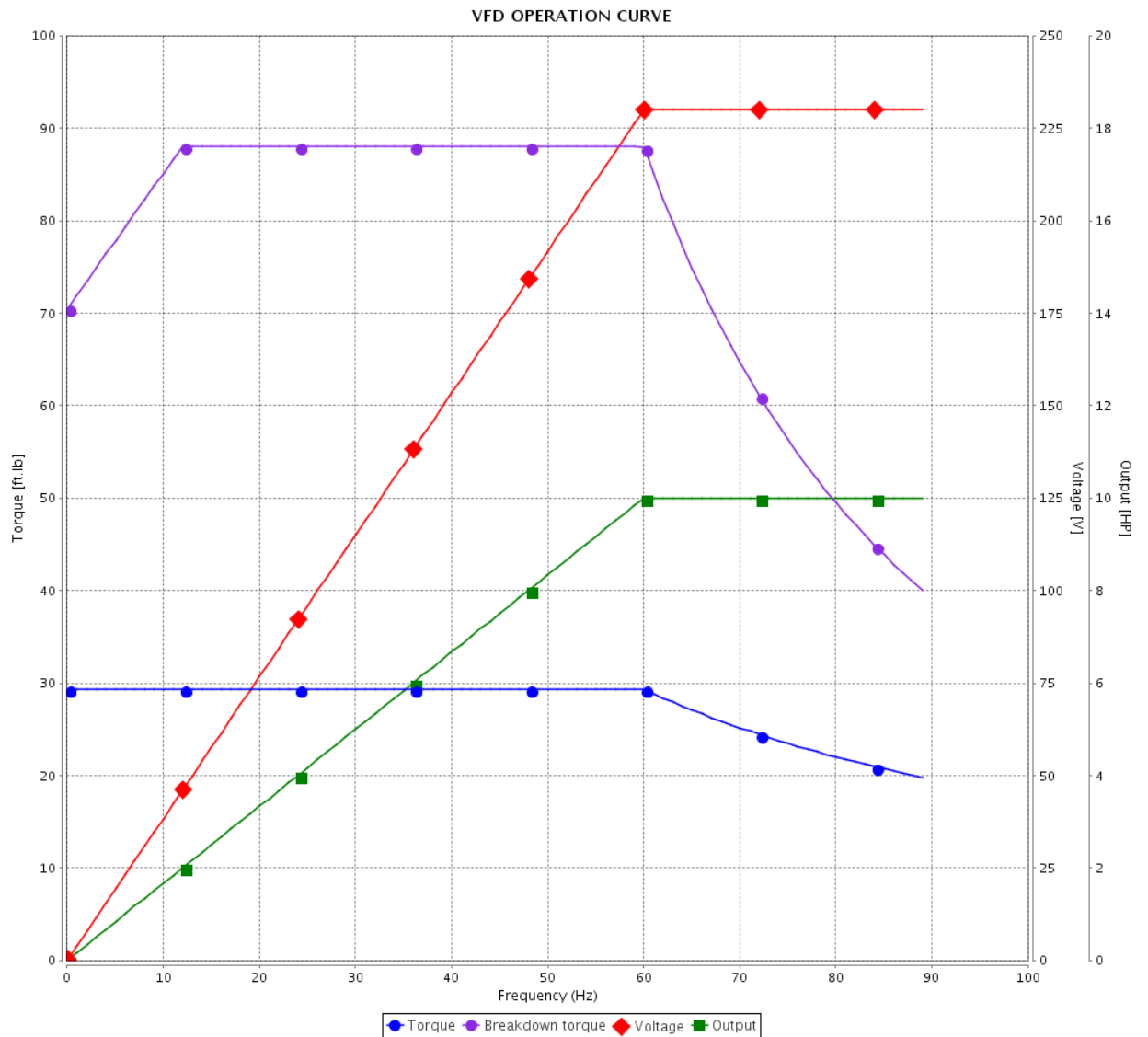
VFD OPERATION CURVE

Three Phase Induction Motor - Squirrel Cage



Customer : Dealers Industrial Equipment

Product line : W21 Explosion-proof Motor NEMA Premium Efficiency Three-Phase
 Product code : 14284619
 Catalog # : 01018XT3E215TC



Performance : 208-230/460 V 60 Hz 4P

Rated current : 28.1-25.4/12.7 A
 LRC : 6.5
 Rated torque : 29.4 ft.lb
 Locked rotor torque : 210 %
 Breakdown torque : 300 %
 Rated speed : 1765 rpm

Moment of inertia (J)
 Duty cycle : Cont.(S1)
 Insulation class : F
 Service factor : 1.15
 Temperature rise : 80 K
 Design : B

Rev.	Changes Summary	Performed	Checked	Date
Performed by			Page 7 / 7	Revision
Checked by				
Date	13/11/2019			

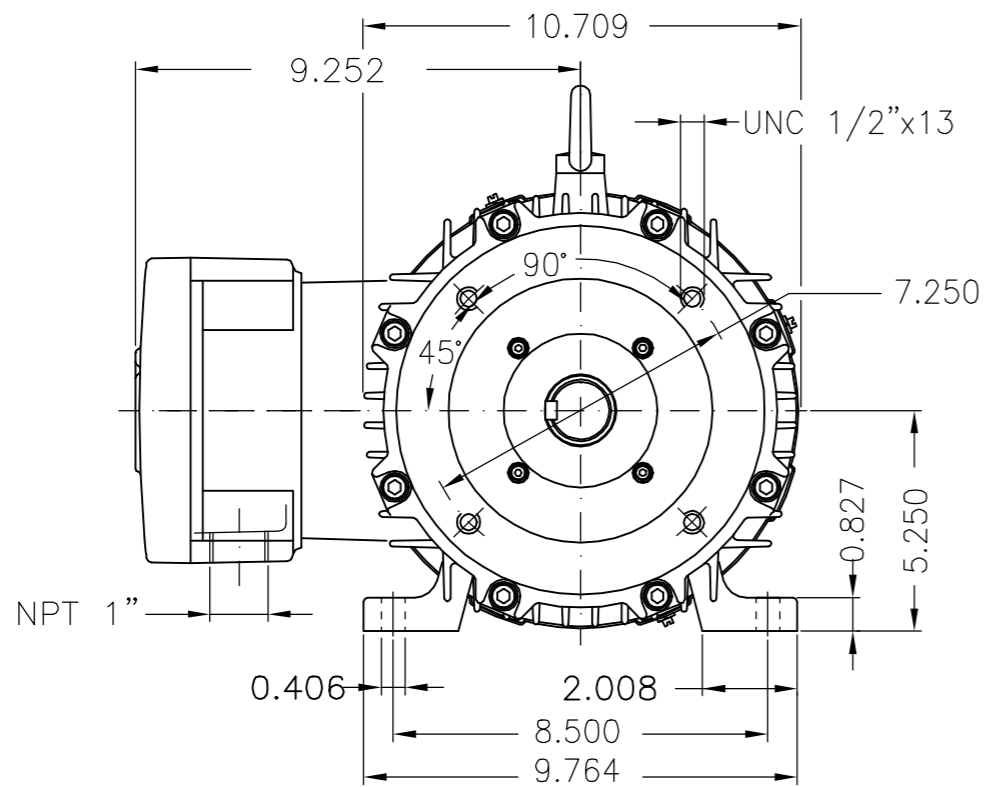
EIXO/SHAFT	
PADRÃO/STANDARD	X
OPCIONAL/OPTIONAL	
ESPECIAL/SPECIAL	

Dimensões em polegada
Dimensions in inches

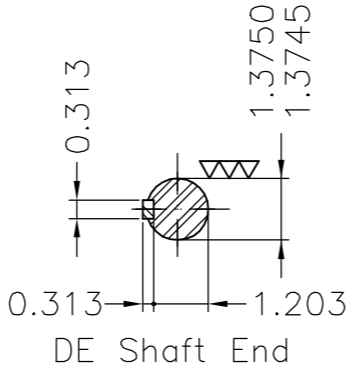
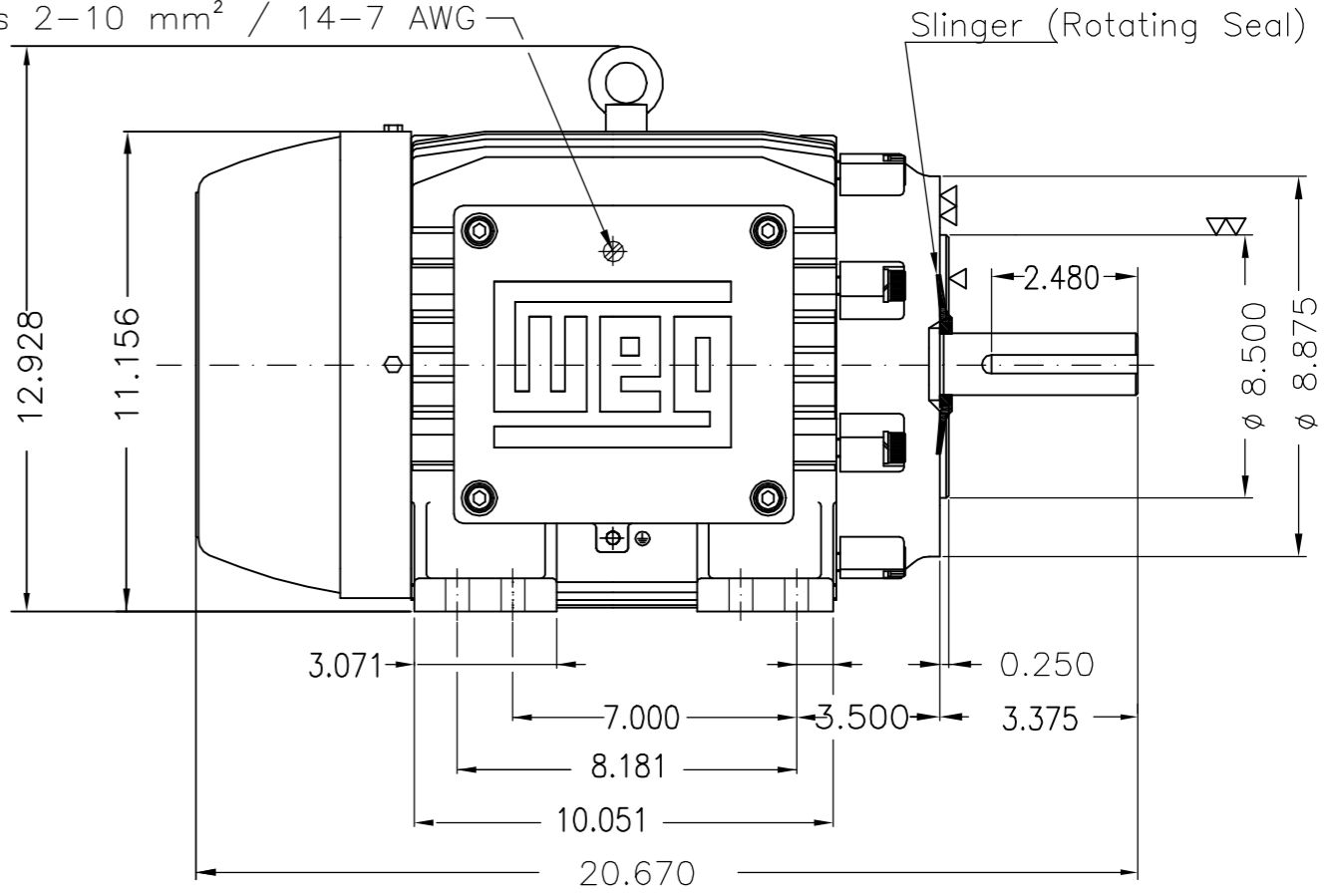
CERTIFIED WEG MOTORES
Certified document.
Not subject to changes.

THIS IS AN UPDATED REVISION, THE PREVIOUS ONE MUST BE DISREGARDED.

A
B
C
D
E



Grounding for leads 2-10 mm² / 14-7 AWG



Caixa de ligação W21 / W21 terminal box						
Cor RAL 5009 / Color RAL 5009						
Plano de pintura 202P / Painting plan 202P						
Forma construtiva NEMA F-1 / Mounting NEMA F-1						
Forma construtiva B34D / Mounting B34R(D)						
WEG ELECTRIC CORPORATION - WEC						
500001594952		ALTERADO CONF. CLAIM 415204042	RICLAV		20.05.2019	03
500001427824		REMOVED HIDDEN NOTE CODE 485	ERIC	MENSOR	MENSOR	13.03.2018 02
ECM	LOC	RESUMO MODIFICAÇÃO	EXECUTADO	VERIFICADO	LIBERADO	DATA
ECM	LOC	SUMMARY OF MODIFICATIONS	EXECUTED	CHECKED	RELEASED	DATE
EXEC. /EXECUTED	NSCHMIDT	THREE-PHASE EXPLOSION PROOF MOTOR FRAME L215TC IP55 TEFC	10005474706		000 03	
VERIF. /CHECKED						
LIBER. /RELEASED	DANIELAW					
DATA LB /REL DT	18.01.2018	WMO	Jaraguá do Sul	Product Engineering	FOLHA/SHEET	1 / 1

10 HP 04 Poles 60Hz 414924098/1



UNCONTROLLED COPY RELEASED ZME A3

MADE IN BRAZIL



W21

 Inverter Duty Motor
 Severe Duty


PH 3 FRAME L215TC

HP(kW)	10(7.5)	RPM	1765
--------	---------	-----	------

V	208-230/460	A	28.1-25.4/12.7
---	-------------	---	----------------

HZ	60	NEMA NOM EFF	91.7 %	SFA	32.3-29.2/14.6
----	----	--------------	--------	-----	----------------

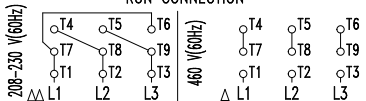
PF	0.81	INS CL F ΔT	80 K	IP55	1.15SF @ 208V
----	------	-------------	------	------	---------------

AMB	40°C	SF	1.15	TYPE	EXT	CODE	H	DES	B
-----	------	----	------	------	-----	------	---	-----	---

AMB	55°C - SF1.0	DUTY	CONT.	ENCL	TEFC
-----	--------------	------	-------	------	------

ALT 1000 m.a.s.l.

RUN CONNECTION



CSA:FOR USE ON VPWM VFD 1000:1VT,20:1CT,1.0SF,T3C,AMB40°C



→ 6308-2RS

MOBIL POLYREX EM

→ 6207-2RS

238 Lbs

TEMP CODE T3C

CSA/UL: Class I - Div. 1 - Groups C and D

CSA: Class II - Div. 1 - Groups F and G

CSA: Class I - Zone 1 - IIB



Dealers Industrial Equipmen

14284619

CC029A