



Dealers Industrial Equipment

No.:

Date: 13-SEP-2016

Customer :

TECHNICAL PROPOSAL

Three-phase induction motor - Squirrel cage rotor

Product line : ODP – Open Induction Motors – NEMA Premium Efficiency

Catalog Number : 01018OT3E215TC

List Price : \$1,324

Notes:

Downloaded from <http://dealerselectric.com>

Generated for Model #01018OT3E215TC

Performed by:

Checked:



# Dealers Industrial Equipment

No.:

Date: 13-SEP-2016

## DATA SHEET Three-phase induction motor - Squirrel cage rotor

Customer :  
 Product line : ODP – Open Induction Motors – NEMA Premium Efficiency

Frame : 213/5T  
 Output : 10 HP  
 Frequency : 60 Hz  
 Poles : 4  
 Full load speed : 1765 rpm  
 Slip : 1.94 %  
 Voltage : 208-230/460 V  
 Rated current : 27.0-24.4/12.2 A  
 Locked rotor current : 154/76.9 A  
 Locked rotor current (I<sub>L</sub>/I<sub>n</sub>) : 6.3  
 No-load current : 12.0/6.00 A  
 Full load torque : 29.4 lb.ft  
 Locked rotor torque : 210 %  
 Breakdown torque : 290 %  
 Design : B  
 Insulation class : F  
 Temperature rise : 80 K  
 Locked rotor time : 6 s (hot)  
 Service factor : 1.15  
 Duty cycle : S1  
 Ambient temperature : -20°C - +40°C  
 Altitude : 1000 m  
 Degree of Protection : IP21  
 Approximate weight : 124 lb  
 Moment of inertia : 1.1958 sq.ft.lb  
 Noise level : ---

	D.E.	N.D.E.
Bearings	6208 ZZ	6206 ZZ
Regreasing interval	---	---
Grease amount	---	---

Load	Power factor	Efficiency (%)
100%	0.84	91.7
75%	0.76	91.0
50%	0.64	90.2

Notes:  
 Downloaded from <http://dealerselectric.com>  
 Generated for Model #01018OT3E215TC

Performed by

Checked



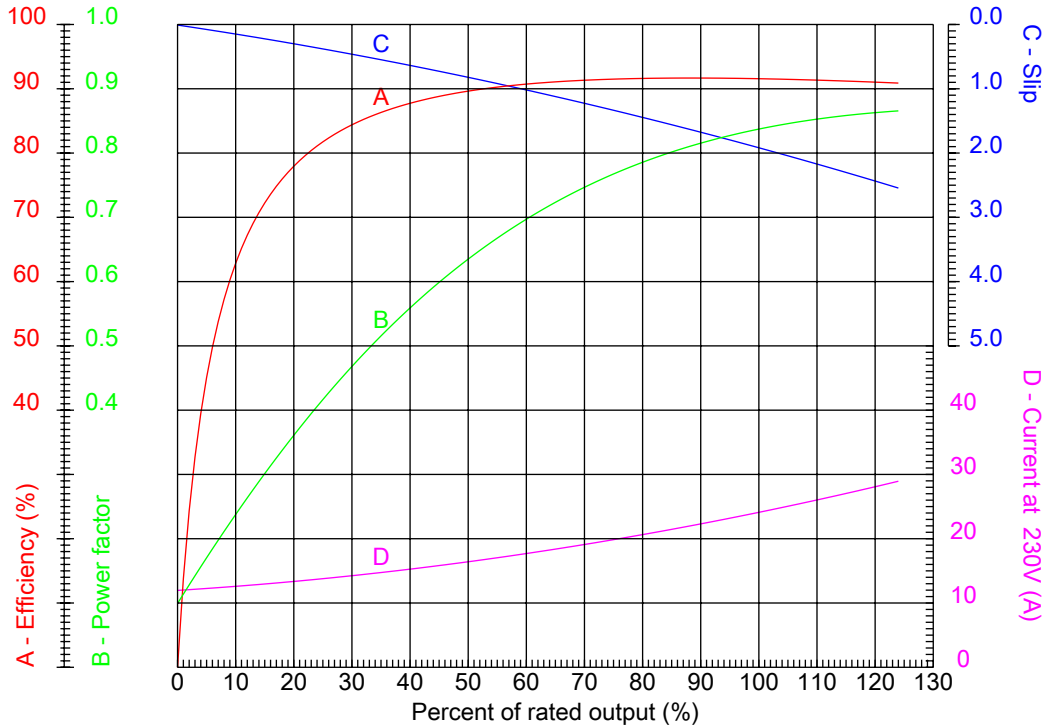
# Dealers Industrial Equipment

No.:

Date: 13-SEP-2016

## PERFORMANCE CURVES RELATED TO RATED OUTPUT

Three-phase induction motor - Squirrel cage rotor



Customer :  
 Product line : ODP – Open Induction Motors – NEMA Premium Efficiency

Frame	: 213/5T	Locked rotor current (I <sub>l</sub> /I <sub>n</sub> )	: 6.3
Output	: 10 HP	Duty cycle	: S1
Frequency	: 60 Hz	Service factor	: 1.15
Full load speed	: 1765 rpm	Design	: B
Voltage	: 208-230/460 V	Locked rotor torque	: 210 %
Rated current	: 27.0-24.4/12.2 A	Breakdown torque	: 290 %
Insulation class	: F		

Notes:  
 Downloaded from <http://dealerselectric.com>  
 Generated for Model #01018OT3E215TC

Performed by

Checked



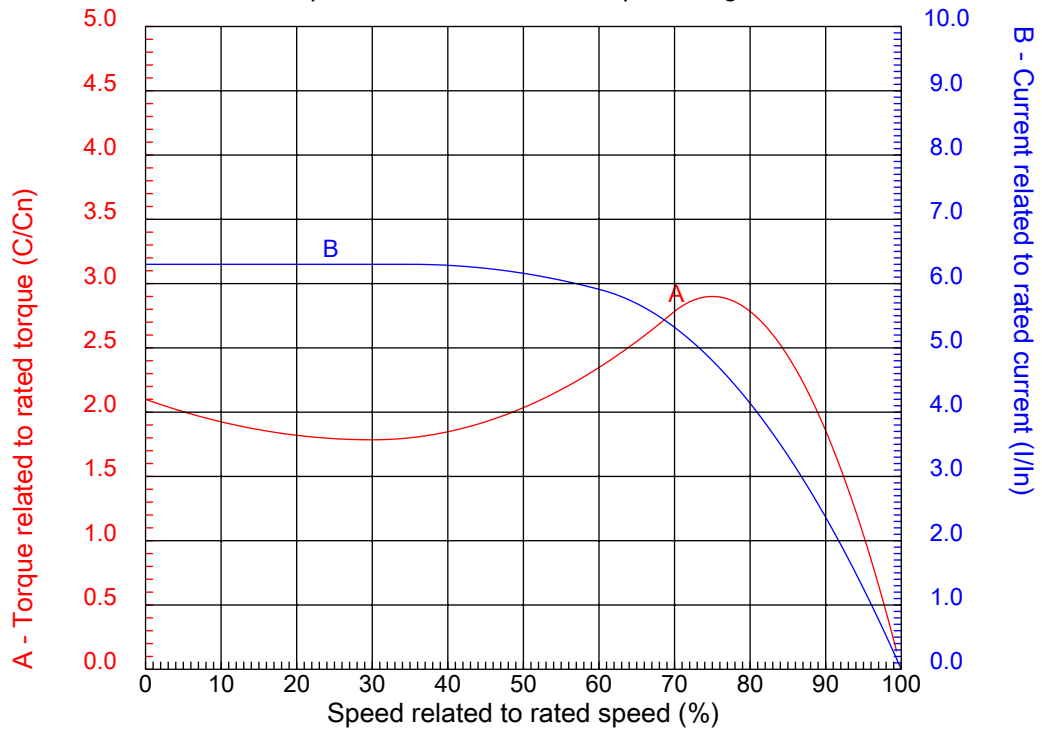
# Dealers Industrial Equipment

No.:

Date: 13-SEP-2016

## CHARACTERISTIC CURVES RELATED TO SPEED

Three-phase induction motor - Squirrel cage rotor



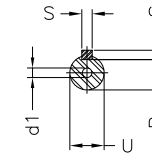
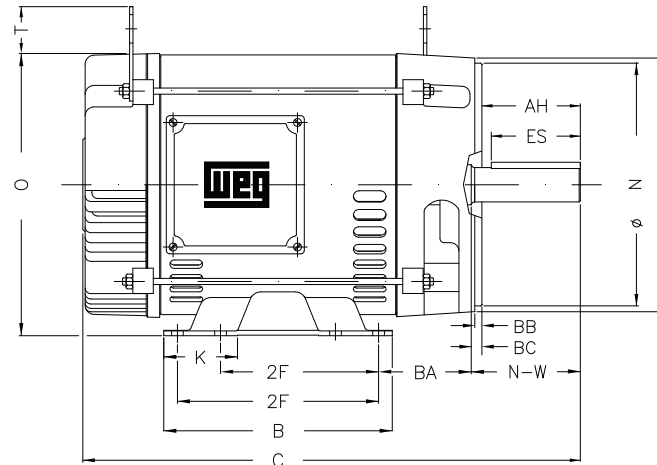
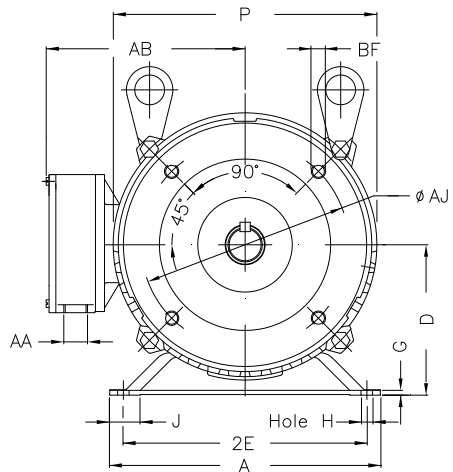
Customer :  
Product line : ODP – Open Induction Motors – NEMA Premium Efficiency

Frame	: 213/5T	Locked rotor current (I <sub>l</sub> /I <sub>n</sub> )	: 6.3
Output	: 10 HP	Duty cycle	: S1
Frequency	: 60 Hz	Service factor	: 1.15
Full load speed	: 1765 rpm	Design	: B
Voltage	: 208-230/460 V	Locked rotor torque	: 210 %
Rated current	: 27.0-24.4/12.2 A	Breakdown torque	: 290 %
Insulation class	: F		

Notes:  
Downloaded from <http://dealerselectric.com>  
Generated for Model #01018OT3E215TC

Performed by

Checked



Notes: Downloaded from <http://dealerselectric.com>  
Generated for Model #010180T3E215TC

Performed by:

Checked:

Customer:

ODP – Open Induction Motors – NEMA Premium Efficiency

Three-phase induction motor  
Frame 213/5T - IP21

13-SEP-2016



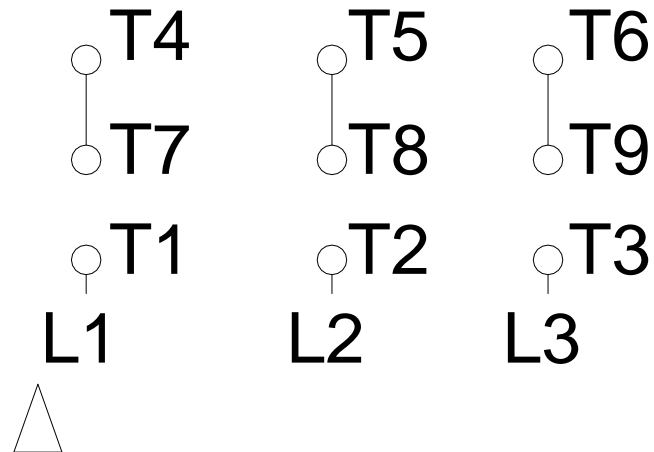
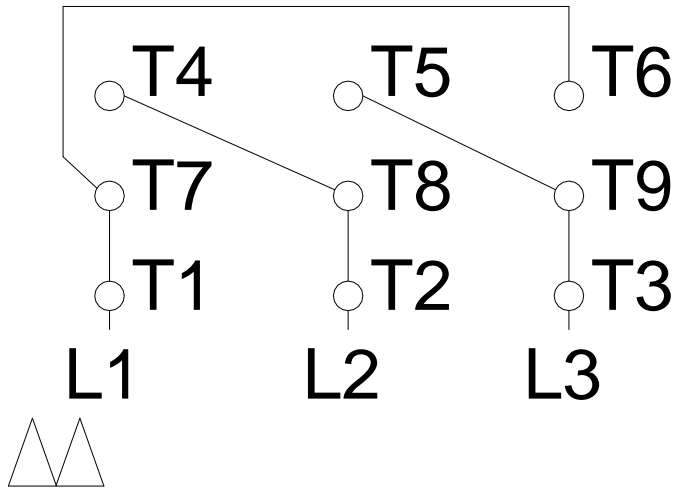
	2E 8.500	J 1.063	A 9.448	P 8.779	AB 8.149
	2F 5.500/7.000	K 2.567	B 7.952	BA 3.488	U 1.375
	d1 A 4	N-W 3.375	ES 2.480	S 0.313	R 1.203
F	depth 0.313	D 5.250	G 0.187	O 9.842	T 1.378
	H 0.406	C 17.165	AA NPT 1"	Flange FC-184	AJ 7.250
	AK 8.500	BD 8.875	BF UNC 1/2"x13	BB 0.250	BC 0.250

1 2 3 4 5 6 7 8

# LOW VOLTAGE

# HIGH VOLTAGE

A  
B  
C  
D  
E  
F



Notes: Downloaded from <a href="http://dealerselectric.com">http://dealerselectric.com</a> Generated for Model #01018OT3E215TC		
Performed by:		
Checked:		
Customer:		
ODP – Open Induction Motors – NEMA Premium Efficiency		
Three-phase induction motor Frame 213/5T - IP21	13-SEP-2016	