



Dealers Industrial Equipment

No.:

Date: 13-SEP-2016

Customer :

TECHNICAL PROPOSAL

Three-phase induction motor - Squirrel cage rotor

Product line : Close Coupled Pump: Three-Phase - W22 "JM" Type - TEFC - NEMA Premium

Catalog Number : 01018ET3H215JM-W22

List Price : \$1,792

Notes:

Downloaded from <http://dealerselectric.com>

Generated for Model #01018ET3H215JM-W22

Performed by:

Checked:



# Dealers Industrial Equipment

No.:

Date: 13-SEP-2016

## DATA SHEET

### Three-phase induction motor - Squirrel cage rotor

Customer :  
 Product line : Close Coupled Pump: Three-Phase - W22 "JM" Type - TEFC - NEMA Premium

Frame : 213/5JM  
 Output : 10 HP  
 Frequency : 60 Hz  
 Poles : 4  
 Full load speed : 1765 rpm  
 Slip : 1.94 %  
 Voltage : 575 V  
 Rated current : 9.92 A  
 Locked rotor current : 63.5 A  
 Locked rotor current (I<sub>L</sub>/I<sub>n</sub>) : 6.4  
 No-load current : 4.52 A  
 Full load torque : 29.4 lb.ft  
 Locked rotor torque : 200 %  
 Breakdown torque : 300 %  
 Design : B  
 Insulation class : F  
 Temperature rise : 80 K  
 Locked rotor time : 17 s (hot)  
 Service factor : 1.25  
 Duty cycle : S1  
 Ambient temperature : -20°C - +40°C  
 Altitude : 1000 m  
 Degree of Protection : IP55  
 Approximate weight : 172 lb  
 Moment of inertia : 1.5104 sq.ft.lb  
 Noise level : 58 dB(A)

	D.E.	N.D.E.
Bearings	6309 Z-C3	6207 ZZ
Regreasing interval	20000 h	---
Grease amount	13 g	---

Load	Power factor	Efficiency (%)
100%	0.83	91.7
75%	0.77	91.7
50%	0.66	91.0

#### Notes:

Downloaded from <http://dealerselectric.com>  
 Generated for Model #01018ET3H215JM-W22

Performed by

Checked



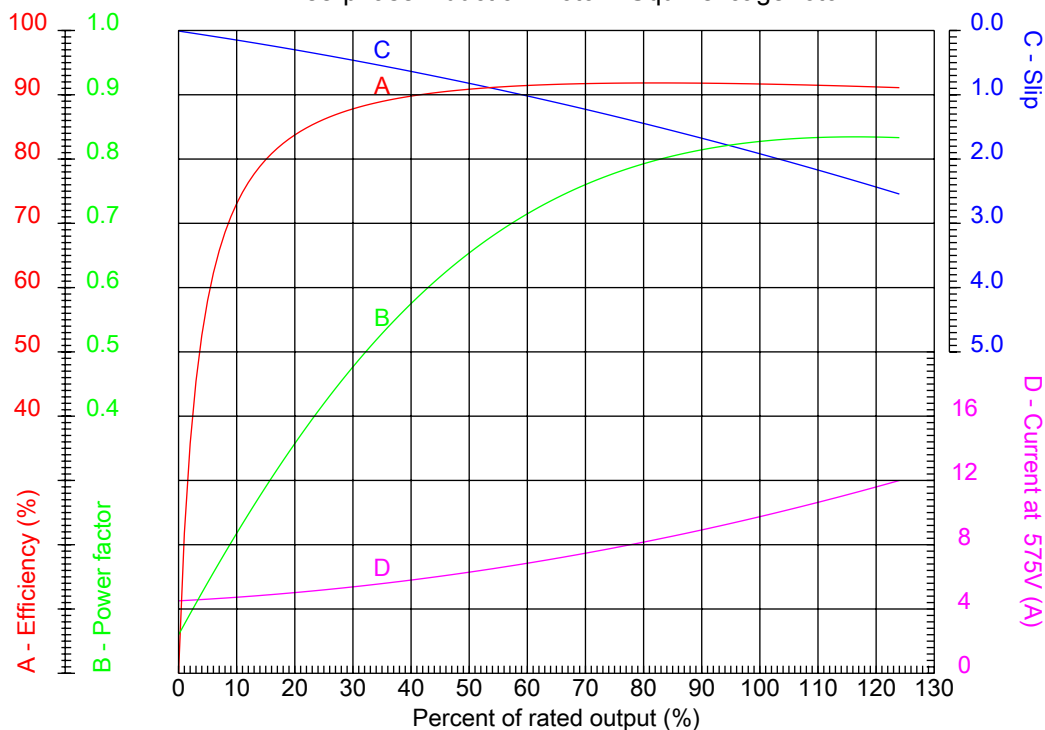
# Dealers Industrial Equipment

No.:

Date: 13-SEP-2016

## PERFORMANCE CURVES RELATED TO RATED OUTPUT

Three-phase induction motor - Squirrel cage rotor



Customer :  
Product line : Close Coupled Pump: Three-Phase - W22 "JM" Type - TEFC - NEMA Premium

Frame	: 213/5JM	Locked rotor current (I <sub>l</sub> /I <sub>n</sub> )	: 6.4
Output	: 10 HP	Duty cycle	: S1
Frequency	: 60 Hz	Service factor	: 1.25
Full load speed	: 1765 rpm	Design	: B
Voltage	: 575 V	Locked rotor torque	: 200 %
Rated current	: 9.92 A	Breakdown torque	: 300 %
Insulation class	: F		

Notes:  
Downloaded from <http://dealerselectric.com>  
Generated for Model #01018ET3H215JM-W22

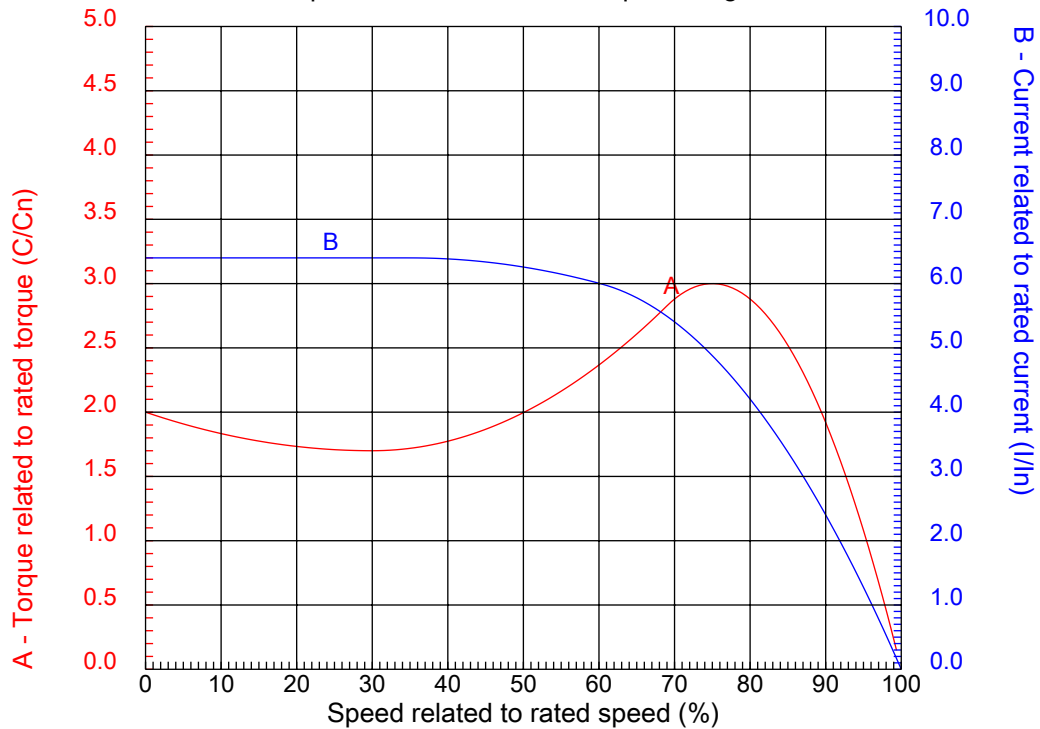
Performed by

Checked



## CHARACTERISTIC CURVES RELATED TO SPEED

Three-phase induction motor - Squirrel cage rotor



Customer :  
Product line : Close Coupled Pump: Three-Phase - W22 "JM" Type - TEFC - NEMA Premium

Frame	: 213/5JM	Locked rotor current (I <sub>l</sub> /I <sub>n</sub> )	: 6.4
Output	: 10 HP	Duty cycle	: S1
Frequency	: 60 Hz	Service factor	: 1.25
Full load speed	: 1765 rpm	Design	: B
Voltage	: 575 V	Locked rotor torque	: 200 %
Rated current	: 9.92 A	Breakdown torque	: 300 %
Insulation class	: F		

Notes:  
Downloaded from <http://dealerselectric.com>  
Generated for Model #01018ET3H215JM-W22

Performed by

Checked

1 2 3 4 5 6 7 8

A

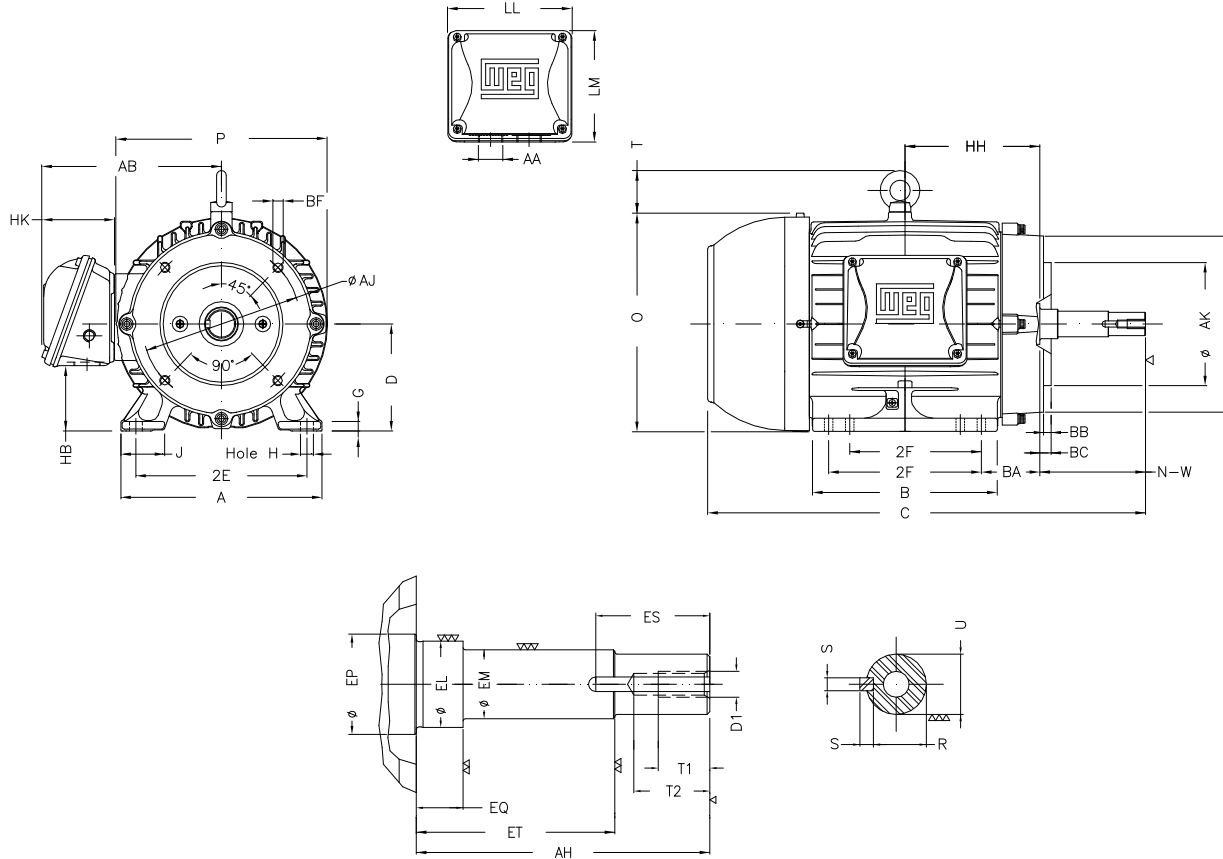
B

C

D

E

F



Notes: Downloaded from <http://dealerselectric.com>  
Generated for Model #01018ET3H215JM-W22

2E 8.500	J 1.772	A 9.764	P 10.669	AB 8.583
2F 5.500/7.000	K 2.165	B 8.858	BA 3.500	D 5.250
G 0.669	O 10.841	T 1.772	H 0.406	AA NPT 1"
EQ 0.630	ET 2.880	U 0.874	EM 1.000	EL 1.250
EP 1.770	ES 1.575	t1 0.748	t2 1.102	C 20.392
d1 EUNC 3/8"-16	HH 7.000	HK 3.150	HB 2.985	LL 5.512
LM 5.236	S 0.187	R 0.768	Flange FC-184	AJ 7.252
AK 8.500	BD 8.858	BF UNC 1/2"x13	BB 0.248	AH 4.258

Performed by:

Checked:

Customer:

Close Coupled Pump: Three-Phase - W22 "JM" Type - TEFC - NEMA Premium

Three-phase induction motor  
Frame 213/5JM - IP55

13-SEP-2016



1 2 3 4 5 6 7 8

A

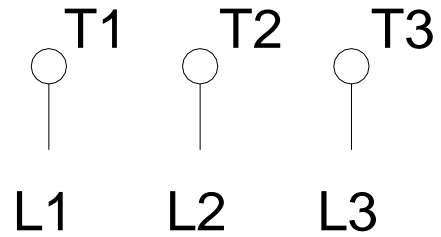
B

C

D

E

F



Notes: Downloaded from <http://dealerselectric.com>  
Generated for Model #01018ET3H215JM-W22

Performed by:

Checked:

Customer:

Close Coupled Pump: Three-Phase - W22 "JM" Type - TEFC - NEMA Premium

Three-phase induction motor  
Frame 213/5JM - IP55

13-SEP-2016

