



Dealers Industrial Equipment

No.:

Date: 13-SEP-2016

Customer :

TECHNICAL PROPOSAL

Three-phase induction motor - Squirrel cage rotor

Product line : W01 (Rolled Steel) Close Coupled Pump TEFC - JP Type

Catalog Number : 01018ET3E215JP-SG

List Price : \$2,023

Notes:

Downloaded from <http://dealerselectric.com>

Generated for Model #01018ET3E215JP-SG

Performed by:

Checked:



Dealers Industrial Equipment

No.:

Date: 13-SEP-2016

### DATA SHEET

### Three-phase induction motor - Squirrel cage rotor

Customer :  
 Product line : W01 (Rolled Steel) Close Coupled Pump TEFC - JP Type

Frame : 213/5JP  
 Output : 10 HP  
 Frequency : 60 Hz  
 Poles : 4  
 Full load speed : 1760 rpm  
 Slip : 2.22 %  
 Voltage : 208-230/460 V  
 Rated current : 27.0-24.4/12.2 A  
 Locked rotor current : 171/85.4 A  
 Locked rotor current (I<sub>L</sub>/I<sub>n</sub>) : 7.0  
 No-load current : 11.1/5.54 A  
 Full load torque : 29.4 lb.ft  
 Locked rotor torque : 250 %  
 Breakdown torque : 300 %  
 Design : B  
 Insulation class : F  
 Temperature rise : 80 K  
 Locked rotor time : 15 s (hot)  
 Service factor : 1.15  
 Duty cycle : S1  
 Ambient temperature : -20°C - +40°C  
 Altitude : 1000 m  
 Degree of Protection : IP55  
 Approximate weight : 130 lb  
 Moment of inertia : 1.0690 sq.ft.lb  
 Noise level : 60 dB(A)

|                     | D.E.    | N.D.E.  |
|---------------------|---------|---------|
| Bearings            | 6209 ZZ | 6206 ZZ |
| Regreasing interval | ---     | ---     |
| Grease amount       | ---     | ---     |

| Load | Power factor | Efficiency (%) |
|------|--------------|----------------|
| 100% | 0.84         | 91.7           |
| 75%  | 0.78         | 91.0           |
| 50%  | 0.67         | 91.0           |

Notes:  
 Downloaded from <http://dealerselectric.com>  
 Generated for Model #01018ET3E215JP-SG

Performed by

Checked



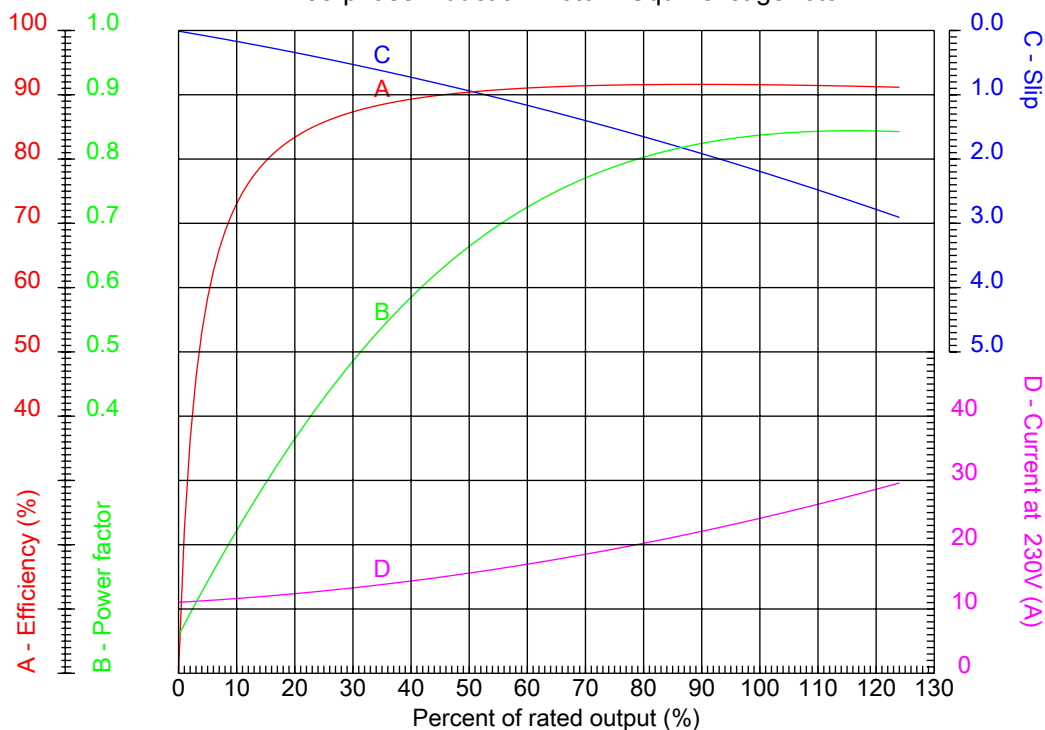
# Dealers Industrial Equipment

No.:

Date: 13-SEP-2016

## PERFORMANCE CURVES RELATED TO RATED OUTPUT

Three-phase induction motor - Squirrel cage rotor



Customer :  
 Product line : W01 (Rolled Steel) Close Coupled Pump TEFC - JP Type

|                  |                    |  |         |
|------------------|--------------------|--|---------|
| Frame            | : 213/5JP          | Locked rotor current (I <sub>l</sub> /I <sub>n</sub> ) | : 7.0   |
| Output           | : 10 HP            | Duty cycle   | : S1    |
| Frequency        | : 60 Hz            | Service factor   | : 1.15  |
| Full load speed  | : 1760 rpm         | Design   | : B     |
| Voltage          | : 208-230/460 V    | Locked rotor torque                                    | : 250 % |
| Rated current    | : 27.0-24.4/12.2 A | Breakdown torque                                       | : 300 % |
| Insulation class | : F                |  |         |

Notes:  
 Downloaded from <http://dealerselectric.com>  
 Generated for Model #01018ET3E215JP-SG

Performed by

Checked



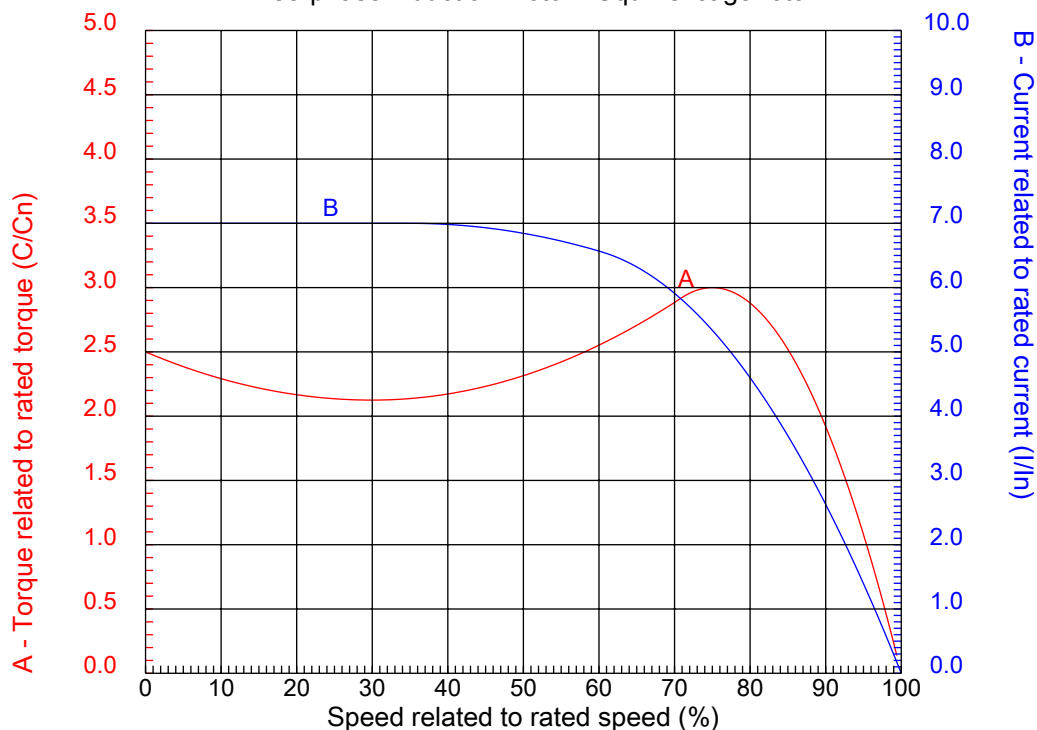
# Dealers Industrial Equipment

No.:

Date: 13-SEP-2016

## CHARACTERISTIC CURVES RELATED TO SPEED

Three-phase induction motor - Squirrel cage rotor



Customer :  
Product line : W01 (Rolled Steel) Close Coupled Pump TEFC - JP Type

|                  |                    |  |         |
|------------------|--------------------|--|---------|
| Frame            | : 213/5JP          | Locked rotor current (I <sub>l</sub> /I <sub>n</sub> ) | : 7.0   |
| Output           | : 10 HP            | Duty cycle   | : S1    |
| Frequency        | : 60 Hz            | Service factor   | : 1.15  |
| Full load speed  | : 1760 rpm         | Design   | : B     |
| Voltage          | : 208-230/460 V    | Locked rotor torque                                    | : 250 % |
| Rated current    | : 27.0-24.4/12.2 A | Breakdown torque                                       | : 300 % |
| Insulation class | : F                |  |         |

Notes:  
Downloaded from <http://dealerselectric.com>  
Generated for Model #01018ET3E215JP-SG

Performed by

Checked

1 2 3 4 5 6 7 8

A

B

C

D

E

F



Notes: Downloaded from <http://dealerselectric.com>  
Generated for Model #01018ET3E215JP-SG

|                   |                   |                  |              |             |
|-------------------|-------------------|------------------|--------------|-------------|
| 2E<br>8.500       | J<br>1.575        | A<br>9.449       | P<br>10.965  | AB<br>7.973 |
| 2F<br>5.500/7.000 | B<br>7.953        | BA<br>4.250      | D<br>5.250   | G<br>0.167  |
| O<br>10.144       | T<br>0.761        | H<br>0.406       | AA<br>1.377" | ER<br>8.149 |
| EQ<br>2.374       | ET<br>5.886       | U<br>1.250       | EM<br>1.375  | EL<br>1.750 |
| EP<br>1.769       | ES<br>2.560       | t1<br>0.984      | t2<br>1.496  | C<br>24.291 |
| CH<br>1.929       | FC<br>10.630      | Flange<br>FC-184 | AJ<br>7.250  | AK<br>8.500 |
| BD<br>9.401       | BF<br>UNC 1/2"x13 | BB<br>0.250      | AH<br>8.130  |             |

Performed by:

Checked:

Customer:

W01 (Rolled Steel) Close Coupled Pump TEFC - JP Type

Three-phase induction motor  
Frame 213/5JP - IP55

13-SEP-2016



1 2 3 4 5 6 7 8

# LOW VOLTAGE

# HIGH VOLTAGE

A

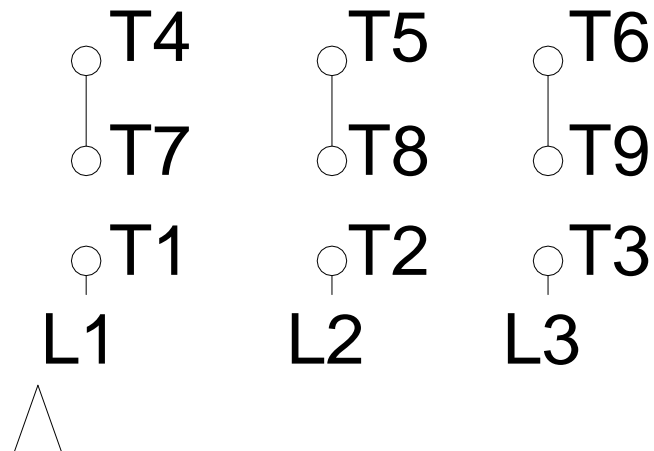
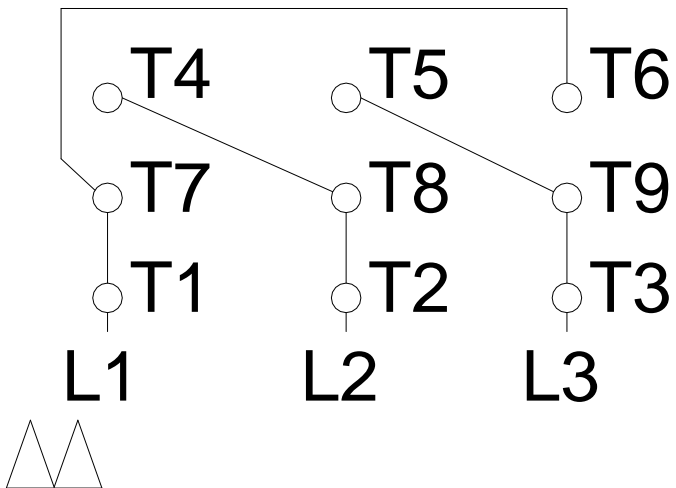
B

C

D

E

F



Notes: Downloaded from <http://dealerselectric.com>  
 Generated for Model #01018ET3E215JP-SG

Performed by:

Checked:

Customer:

W01 (Rolled Steel) Close Coupled Pump TEFC - JP Type

Three-phase induction motor  
 Frame 213/5JP - IP55

13-SEP-2016

