



Dealers Industrial Equipment

No.:

Date: 13-SEP-2016

Customer :

TECHNICAL PROPOSAL

Single-phase induction motor - Squirrel cage rotor

Product line : Close Coupled Pump : Single-Phase - "JP" Type - TEFC - Standard Efficiency

Catalog Number : 01018ES1E215JP

List Price : \$2,057

Notes:

Downloaded from <http://dealerselectric.com>

Generated for Model #01018ES1E215JP

Performed by:

Checked:



Dealers Industrial Equipment

No.:

Date: 13-SEP-2016

DATA SHEET Single-phase induction motor - Squirrel cage rotor

Customer :
Product line : Close Coupled Pump : Single-Phase - "JP" Type - TEFC - Standard Efficiency

Frame : 215JP
Output : 10 HP
Frequency : 60 Hz
Poles : 4
Full load speed : 1740 rpm
Slip : 3.33 %
Voltage : 208-230/460 V
Rated current : 44.8-40.5/20.3 A
Locked rotor current : 271/136 A
Locked rotor current (I_L/I_n) : 6.7
No-load current : 12.2/6.10 A
Full load torque : 29.8 lb.ft
Locked rotor torque : 260 %
Breakdown torque : 240 %
Design : ---
Insulation class : F
Temperature rise : 80 K
Locked rotor time : 6 s (hot)
Service factor : 1.15
Duty cycle : S1
Ambient temperature : -20°C - +40°C
Altitude : 1000 m
Degree of Protection : IP55
Approximate weight : 181 lb
Moment of inertia : 1.1533 sq.ft.lb
Noise level : ---

	D.E.	N.D.E.
Bearings	6309 ZZ	6206 ZZ
Regreasing interval	---	---
Grease amount	---	---

Load	Power factor	Efficiency (%)
100%	0.97	83.0
75%	0.96	82.0
50%	0.94	80.0

Notes:
Downloaded from <http://dealerselectric.com>
Generated for Model #01018ES1E215JP

Performed by

Checked

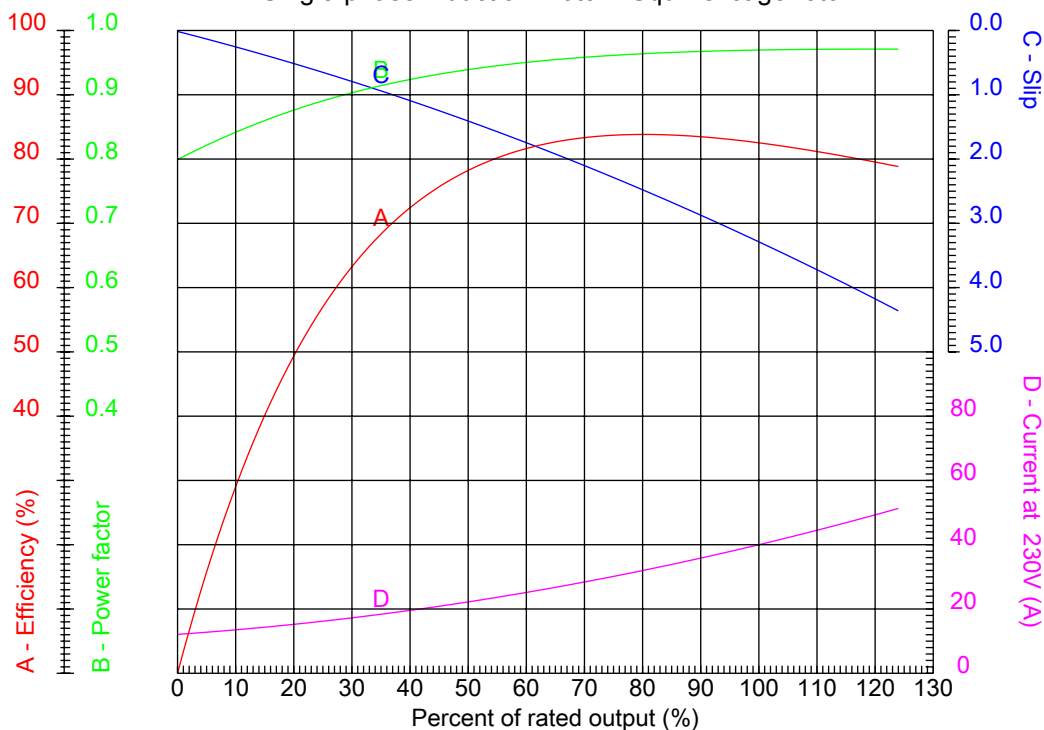


Dealers Industrial Equipment

No.:

Date: 13-SEP-2016

PERFORMANCE CURVES RELATED TO RATED OUTPUT Single-phase induction motor - Squirrel cage rotor



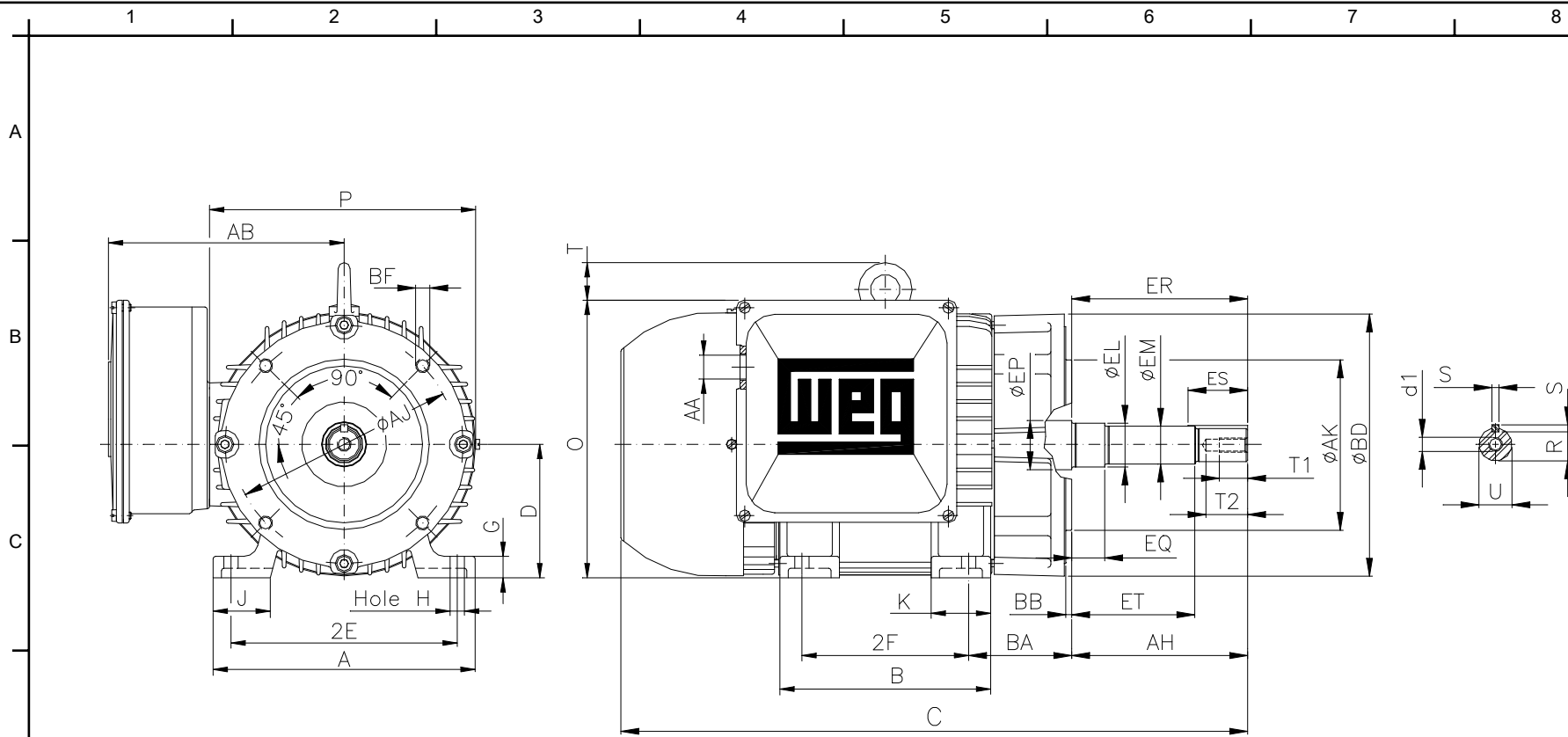
Customer :
Product line : Close Coupled Pump : Single-Phase - "JP" Type - TEFC - Standard Efficiency

Frame	: 215JP	Locked rotor current (I _l /I _n)	: 6.7
Output	: 10 HP	Duty cycle	: S1
Frequency	: 60 Hz	Service factor	: 1.15
Full load speed	: 1740 rpm	Design	: ---
Voltage	: 208-230/460 V	Locked rotor torque	: 260 %
Rated current	: 44.8-40.5/20.3 A	Breakdown torque	: 240 %
Insulation class	: F		

Notes:
Downloaded from <http://dealerselectric.com>
Generated for Model #01018ES1E215JP

Performed by

Checked



Notes: Downloaded from <http://dealerselectric.com>
 Generated for Model #01018ES1E215JP

2E	2F	H	BA	A
8.500	7.000	0.406	3.500	9.764
B	D	G	J	K
8.858	5.250	0.827	2.008	2.165
O	P	AB	AA	ER
10.841	10.630	8.071	NPT 1"	8.130
EQ	ET	U	EM	EL
2.382	5.886	1.249	1.375	1.750
EP	S	R	ES	d1
1.770	0.250	1.110	2.480	EUNC 1/2"-13
t1	t2	C	Flange	AJ
0.984	1.496	24.272	FC-184	7.252
AK	BD	BF	BB	AH
8.500	8.858	UNC 1/2"x13	0.248	8.130

Performed by:

Checked:

Customer:

Close Coupled Pump : Single-Phase - "JP" Type - TEFC - Standard Efficiency

Single-phase induction motor
 Frame 215JP - IP55

13-SEP-2016

