



Dealers Industrial Equipment

No.:

Date: 13-SEP-2016

Customer :

TECHNICAL PROPOSAL

Three-phase induction motor - Squirrel cage rotor

Product line : Brake Motors : Three-Phase - High Efficiency
Catalog Number : 01018EP3HBM215T
List Price : \$>(discontinued)

Notes:
Downloaded from <http://dealerselectric.com>
Generated for Model #01018EP3HBM215T

Performed by:

Checked:



Dealers Industrial Equipment

No.:

Date: 13-SEP-2016

DATA SHEET Three-phase induction motor - Squirrel cage rotor

Customer :
 Product line : Brake Motors : Three-Phase - High Efficiency

Frame : 215T
 Output : 10 HP
 Frequency : 60 Hz
 Poles : 4
 Full load speed : 1760 rpm
 Slip : 2.22 %
 Voltage : 575 V
 Rated current : 10.2 A
 Locked rotor current : 64.5 A
 Locked rotor current (I_L/I_n) : 6.3
 No-load current : 4.20 A
 Full load torque : 29.4 lb.ft
 Locked rotor torque : 200 %
 Breakdown torque : 250 %
 Design : B
 Insulation class : F
 Temperature rise : 80 K
 Locked rotor time : 15 s (hot)
 Service factor : 1.25
 Duty cycle : S1
 Ambient temperature : -20°C - +40°C
 Altitude : 1000 m
 Degree of Protection : IP55
 Approximate weight : 189 lb
 Moment of inertia : 1.2472 sq.ft.lb
 Noise level : 58 dB(A)

| | D.E. | N.D.E. |
|---------------------|---------|---------|
| Bearings | 6308 ZZ | 6207 ZZ |
| Regreasing interval | --- | --- |
| Grease amount | --- | --- |

| Load | Power factor | Efficiency (%) |
|------|--------------|----------------|
| 100% | 0.82 | 89.5 |
| 75% | 0.77 | 90.2 |
| 50% | 0.65 | 89.5 |

Notes:
 Downloaded from <http://dealerselectric.com>
 Generated for Model #01018EP3HBM215T

Performed by

Checked



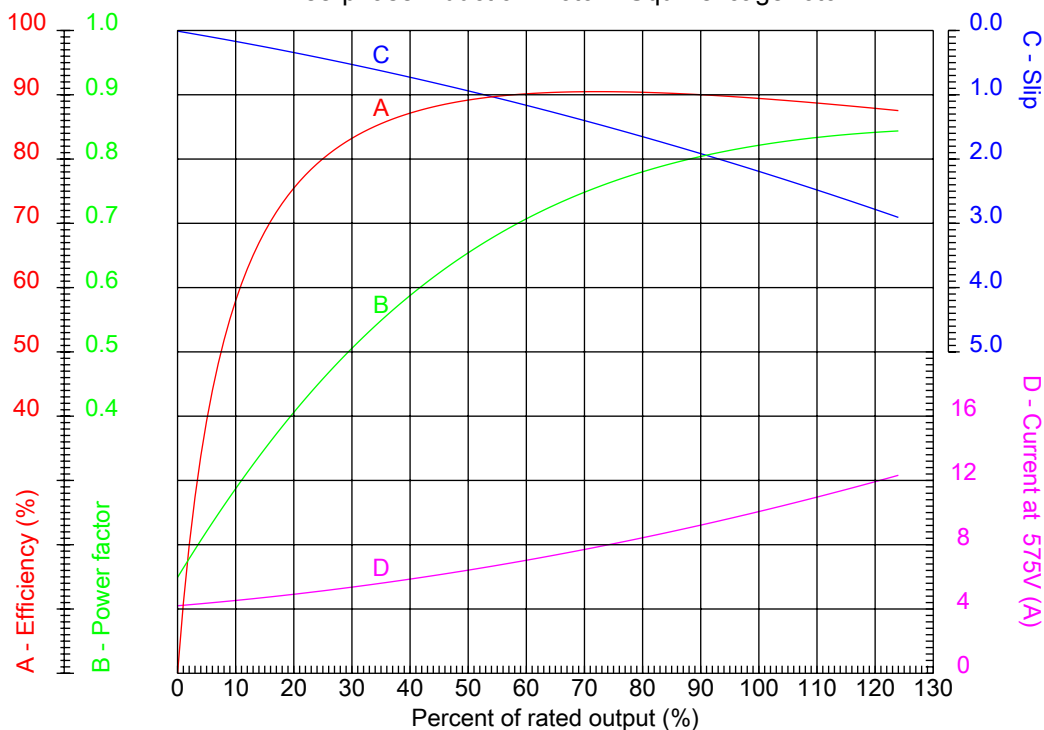
Dealers Industrial Equipment

No.:

Date: 13-SEP-2016

PERFORMANCE CURVES RELATED TO RATED OUTPUT

Three-phase induction motor - Squirrel cage rotor



Customer :
 Product line : Brake Motors : Three-Phase - High Efficiency

| | | | |
|------------------|------------|--|---------|
| Frame | : 215T | Locked rotor current (I _l /I _n) | : 6.3 |
| Output | : 10 HP | Duty cycle | : S1 |
| Frequency | : 60 Hz | Service factor | : 1.25 |
| Full load speed | : 1760 rpm | Design | : B |
| Voltage | : 575 V | Locked rotor torque | : 200 % |
| Rated current | : 10.2 A | Breakdown torque | : 250 % |
| Insulation class | : F | | |

Notes:
 Downloaded from <http://dealerselectric.com>
 Generated for Model #01018EP3HBM215T

Performed by

Checked



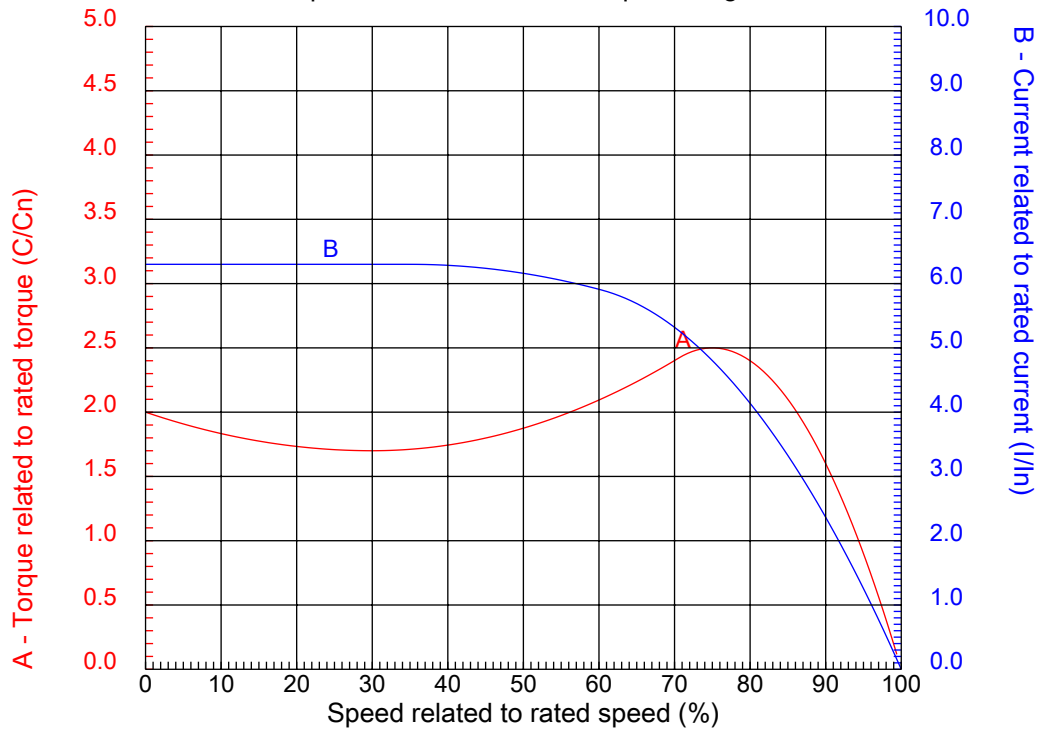
Dealers Industrial Equipment

No.:

Date: 13-SEP-2016

CHARACTERISTIC CURVES RELATED TO SPEED

Three-phase induction motor - Squirrel cage rotor



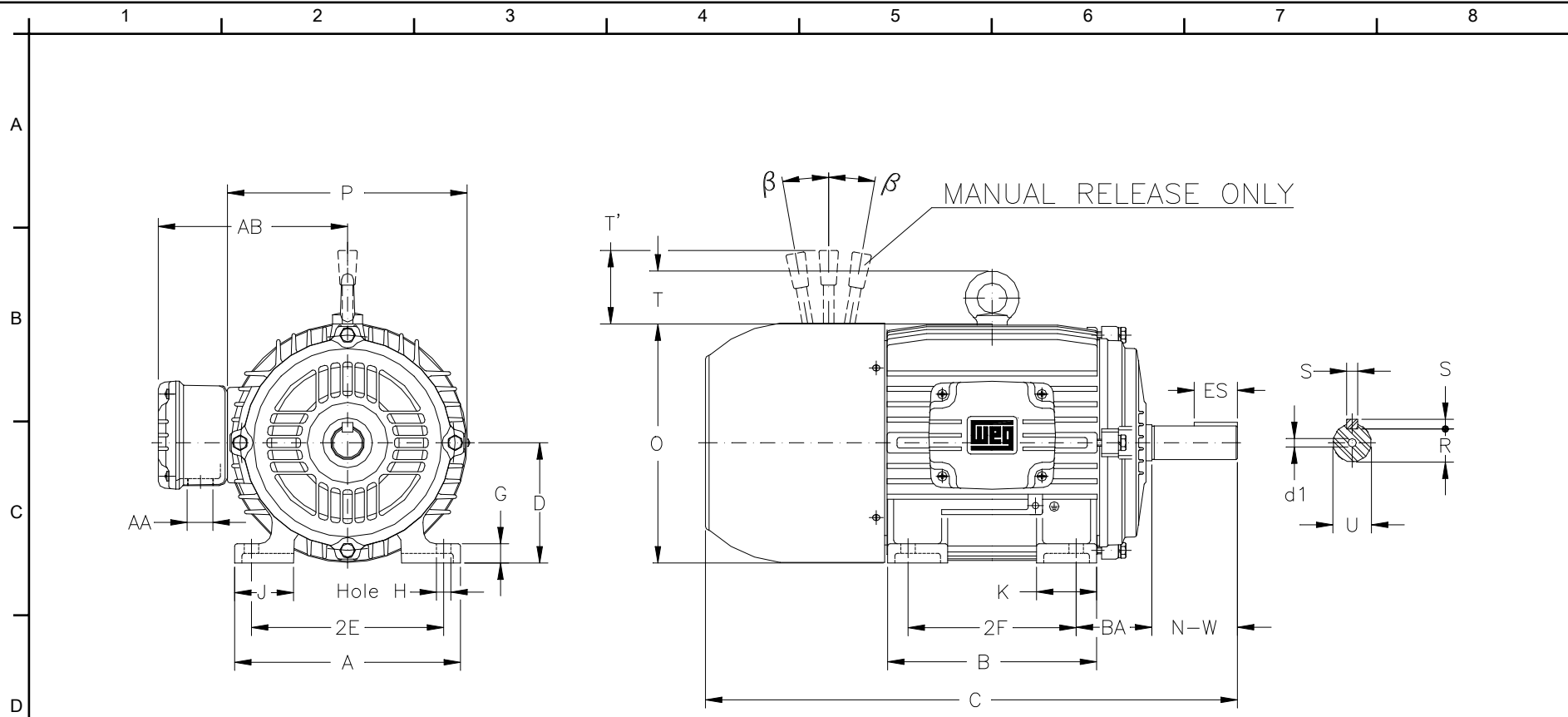
Customer :
Product line : Brake Motors : Three-Phase - High Efficiency

| | | | |
|------------------|------------|--|---------|
| Frame | : 215T | Locked rotor current (I _l /I _n) | : 6.3 |
| Output | : 10 HP | Duty cycle | : S1 |
| Frequency | : 60 Hz | Service factor | : 1.25 |
| Full load speed | : 1760 rpm | Design | : B |
| Voltage | : 575 V | Locked rotor torque | : 200 % |
| Rated current | : 10.2 A | Breakdown torque | : 250 % |
| Insulation class | : F | | |

Notes:
Downloaded from <http://dealerselectric.com>
Generated for Model #01018EP3HBM215T

Performed by

Checked



Notes: Downloaded from <http://dealerselectric.com>
 Generated for Model #01018EP3HBM215T

Performed by:

Checked:

Customer:

Brake Motors : Three-Phase - High Efficiency

| | | | | |
|-------------|--------------|-------------|-------------|----------------|
| 2E 8.500 | A 9.764 | 2F 7.000 | B 8.858 | BA 3.500 |
| J 2.008 | K 2.165 | P 10.630 | ES 2.480 | depth 0.313 |
| S 0.313 | N-W 3.375 | U 1.375 | R 1.203 | AB 8.149 |
| D 5.250 | G 0.827 | O 10.841 | T 1.772 | H 0.406 |
| C 23.984 | AA NPT 1" | d1 A 4 | d2 A 4 | |

Three-phase induction motor
 Frame 215T - IP55

13-SEP-2016



1 2 3 4 5 6 7 8

A

B

C

D

E

F



Notes: Downloaded from <http://dealerselectric.com>
Generated for Model #01018EP3HBM215T

Performed by:

Checked:

Customer:

Brake Motors : Three-Phase - High Efficiency

Three-phase induction motor
Frame 215T - IP55

13-SEP-2016

