



Dealers Industrial Equipment

No.:

Date: 13-SEP-2016

Customer :

TECHNICAL PROPOSAL

Three-phase induction motor - Squirrel cage rotor

Product line : W22 Super Premium

Catalog Number : 01018EG3EL215T-W22

List Price : \$1,400

Notes:

Downloaded from <http://dealerselectric.com>

Generated for Model #01018EG3EL215T-W22

Performed by:

Checked:



Dealers Industrial Equipment

No.:

Date: 13-SEP-2016

DATA SHEET Three-phase induction motor - Squirrel cage rotor

Customer :
Product line : W22 Super Premium

Frame : L213/5T
Output : 10 HP
Frequency : 60 Hz
Poles : 4
Full load speed : 1765 rpm
Slip : 1.94 %
Voltage : 208-230/460 V
Rated current : 24.0/12.0 A
Locked rotor current : 202/101 A
Locked rotor current (I_L/I_n) : 8.4
No-load current : 11.0/5.50 A
Full load torque : 29.4 lb.ft
Locked rotor torque : 230 %
Breakdown torque : 350 %
Design : A
Insulation class : F
Temperature rise : 80 K
Locked rotor time : 16 s (hot)
Service factor : 1.25 (1.00 at 208V)
Duty cycle : S1
Ambient temperature : -20°C - +40°C
Altitude : 1000 m
Degree of Protection : IP55
Approximate weight : 181 lb
Moment of inertia : 1.7816 sq.ft.lb
Noise level : 58 dB(A)

	D.E.	N.D.E.
Bearings	6308 ZZ	6207 ZZ
Regreasing interval	---	---
Grease amount	---	---

Load	Power factor	Efficiency (%)
100%	0.84	93.0
75%	0.78	92.4
50%	0.66	91.7

Notes:
Downloaded from <http://dealerselectric.com>
Generated for Model #01018EG3EL215T-W22

Performed by

Checked



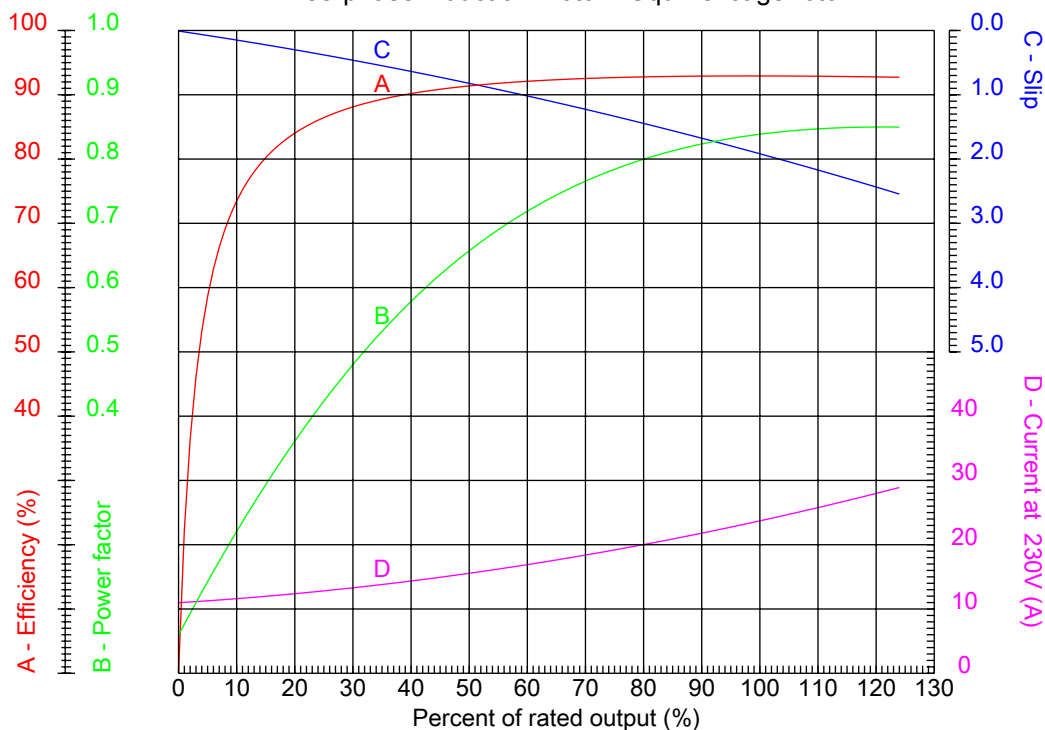
Dealers Industrial Equipment

No.:

Date: 13-SEP-2016

PERFORMANCE CURVES RELATED TO RATED OUTPUT

Three-phase induction motor - Squirrel cage rotor



Customer :
Product line : W22 Super Premium

Frame : L213/5T	Locked rotor current (I _l /I _n) : 8.4
Output : 10 HP	Duty cycle : S1
Frequency : 60 Hz	Service factor : 1.25 (1.00 at 208V)
Full load speed : 1765 rpm	Design : A
Voltage : 208-230/460 V	Locked rotor torque : 230 %
Rated current : 24.0/12.0 A	Breakdown torque : 350 %
Insulation class : F	

Notes:
Downloaded from <http://dealerselectric.com>
Generated for Model #01018EG3EL215T-W22

Performed by

Checked



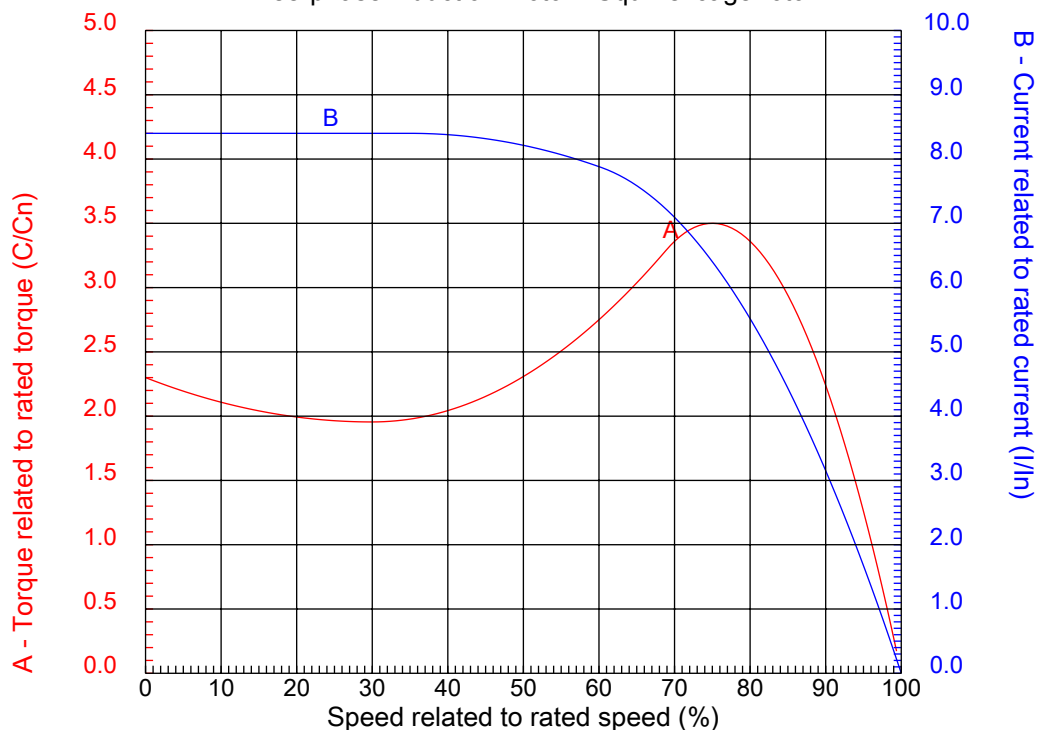
Dealers Industrial Equipment

No.:

Date: 13-SEP-2016

CHARACTERISTIC CURVES RELATED TO SPEED

Three-phase induction motor - Squirrel cage rotor



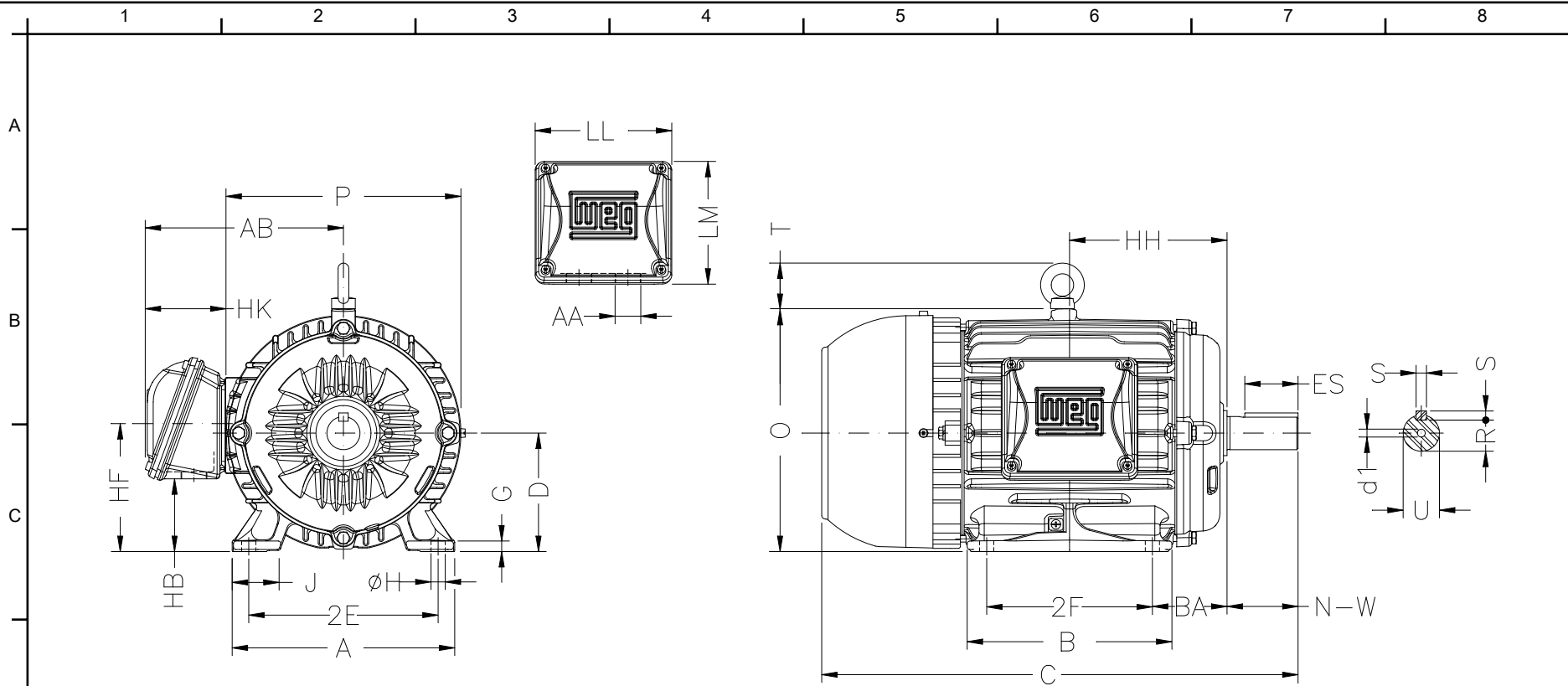
Customer :
Product line : W22 Super Premium

Frame	: L213/5T	Locked rotor current (I/I _n)	: 8.4
Output	: 10 HP	Duty cycle	: S1
Frequency	: 60 Hz	Service factor	: 1.25 (1.00 at 208V)
Full load speed	: 1765 rpm	Design	: A
Voltage	: 208-230/460 V	Locked rotor torque	: 230 %
Rated current	: 24.0/12.0 A	Breakdown torque	: 350 %
Insulation class	: F		

Notes:
Downloaded from <http://dealerselectric.com>
Generated for Model #01018EG3EL215T-W22

Performed by

Checked



Notes: Downloaded from <http://dealerselectric.com>
Generated for Model #01018EG3EL215T-W22

Performed by:

Checked:

Customer:

W22 Super Premium

Three-phase induction motor
Frame L213/5T - IP55

13-SEP-2016



2E	J	A	P	AB
8.500	1.772	9.764	10.669	8.583
2F	K	B	BA	FBA
5.500/7.000	2.165	8.858	3.500	5.921
U	N-W	ES	S	R
1.375	3.375	2.480	0.313	1.203
depth	D	G	HB	O
0.313	5.250	0.669	2.985	10.841
T	HF	HH	HK	H
1.772	5.250	7.000	3.150	0.410
LL	LM	AA	d1	
5.512	5.236	NPT 1"	A 4	

1 2 3 4 5 6 7 8

LOW VOLTAGE

HIGH VOLTAGE

A
B
C
D
E
F



Notes: Downloaded from <http://dealerselectric.com>
 Generated for Model #01018EG3EL215T-W22

Performed by:

Checked:

Customer:

W22 Super Premium

Three-phase induction motor
 Frame L213/5T - IP55

13-SEP-2016

