



Dealers Industrial Equipment

No.:

Date: 13-SEP-2016

Customer :

TECHNICAL PROPOSAL

Three-phase induction motor - Squirrel cage rotor

Product line : W22 NEMA Premium - Ball Bearings

Catalog Number : 01012ET3E256TC-W22

List Price : \$2,465

Notes:

Downloaded from <http://dealerselectric.com>

Generated for Model #01012ET3E256TC-W22

Performed by:

Checked:



# Dealers Industrial Equipment

No.:

Date: 13-SEP-2016

## DATA SHEET Three-phase induction motor - Squirrel cage rotor

Customer :  
 Product line : W22 NEMA Premium - Ball Bearings

Frame : 254/6T  
 Output : 10 HP  
 Frequency : 60 Hz  
 Poles : 6  
 Full load speed : 1175 rpm  
 Slip : 2.08 %  
 Voltage : 208-230/460 V  
 Rated current : 28.5-25.8/12.9 A  
 Locked rotor current : 168/83.9 A  
 Locked rotor current (I<sub>L</sub>/I<sub>n</sub>) : 6.5  
 No-load current : 12.0/6.00 A  
 Full load torque : 44.1 lb.ft  
 Locked rotor torque : 230 %  
 Breakdown torque : 280 %  
 Design : B  
 Insulation class : F  
 Temperature rise : 80 K  
 Locked rotor time : 26 s (hot)  
 Service factor : 1.25  
 Duty cycle : S1  
 Ambient temperature : -20°C - +40°C  
 Altitude : 1000 m  
 Degree of Protection : IP55  
 Approximate weight : 289 lb  
 Moment of inertia : 4.4311 sq.ft.lb  
 Noise level : 59 dB(A)

|                     | D.E.    | N.D.E.  |
|---------------------|---------|---------|
| Bearings            | 6309 C3 | 6209 C3 |
| Regreasing interval | 20000 h | 20000 h |
| Grease amount       | 13 g    | 9 g     |

| Load | Power factor | Efficiency (%) |
|------|--------------|----------------|
| 100% | 0.80         | 91.0           |
| 75%  | 0.74         | 91.0           |
| 50%  | 0.63         | 90.2           |

Notes:  
 Downloaded from <http://dealerselectric.com>  
 Generated for Model #01012ET3E256TC-W22

Performed by

Checked



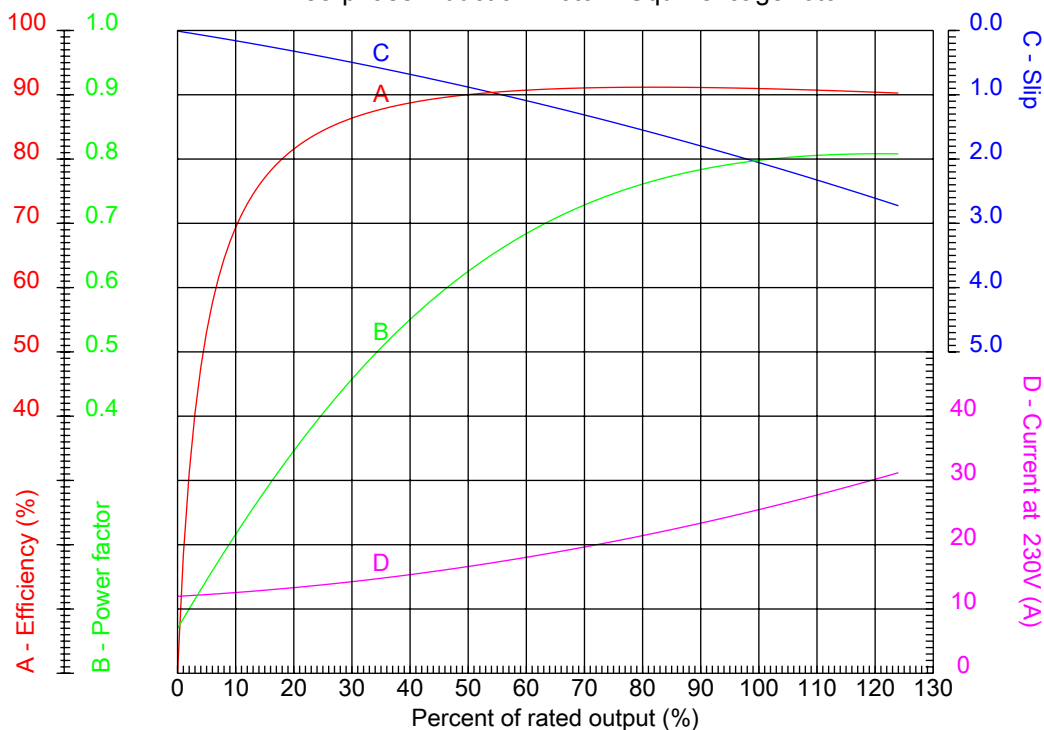
# Dealers Industrial Equipment

No.:

Date: 13-SEP-2016

## PERFORMANCE CURVES RELATED TO RATED OUTPUT

Three-phase induction motor - Squirrel cage rotor



Customer :  
Product line : W22 NEMA Premium - Ball Bearings

|                                  |  |
|----------------------------------|--|
| Frame : 254/6T                   | Locked rotor current (I <sub>l</sub> /I <sub>n</sub> ) : 6.5 |
| Output : 10 HP                   | Duty cycle : S1  |
| Frequency : 60 Hz                | Service factor : 1.25  |
| Full load speed : 1175 rpm       | Design : B   |
| Voltage : 208-230/460 V          | Locked rotor torque : 230 %                                  |
| Rated current : 28.5-25.8/12.9 A | Breakdown torque : 280 %                                     |
| Insulation class : F             |  |

Notes:  
Downloaded from <http://dealerselectric.com>  
Generated for Model #01012ET3E256TC-W22

Performed by

Checked



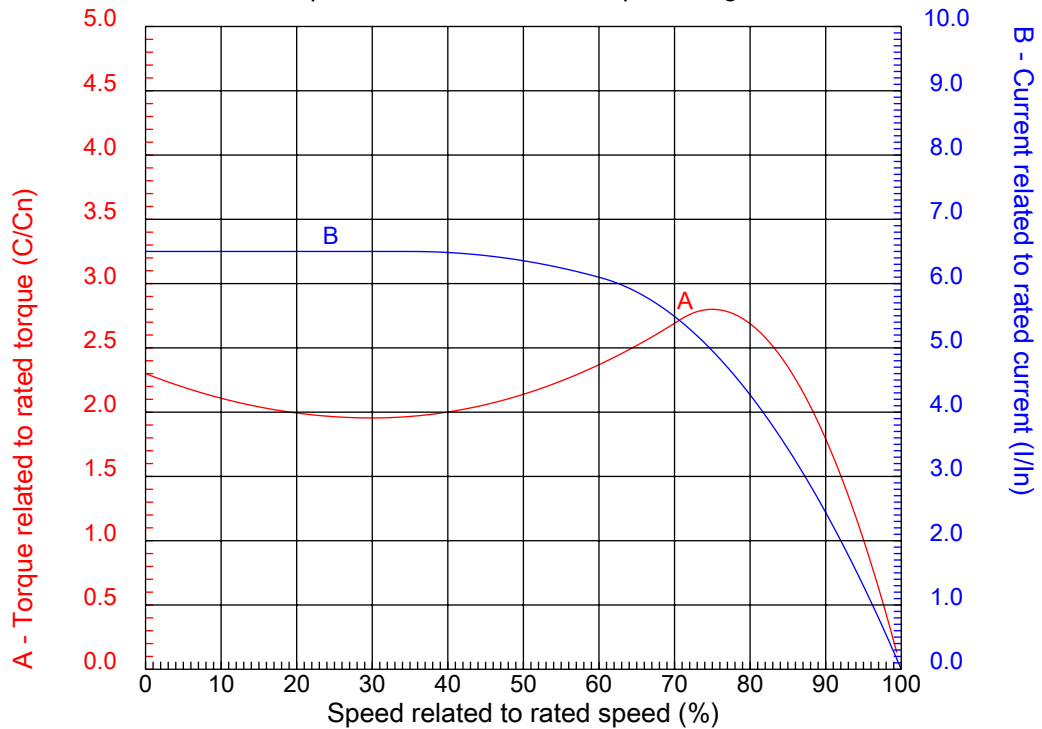
# Dealers Industrial Equipment

No.:

Date: 13-SEP-2016

## CHARACTERISTIC CURVES RELATED TO SPEED

Three-phase induction motor - Squirrel cage rotor



Customer :  
Product line : W22 NEMA Premium - Ball Bearings

|                  |                    |                             |         |
|------------------|--------------------|-----------------------------|---------|
| Frame            | : 254/6T           | Locked rotor current (I/Ih) | : 6.5   |
| Output           | : 10 HP            | Duty cycle                  | : S1    |
| Frequency        | : 60 Hz            | Service factor              | : 1.25  |
| Full load speed  | : 1175 rpm         | Design                      | : B     |
| Voltage          | : 208-230/460 V    | Locked rotor torque         | : 230 % |
| Rated current    | : 28.5-25.8/12.9 A | Breakdown torque            | : 280 % |
| Insulation class | : F                |                             |         |

Notes:  
Downloaded from <http://dealerselectric.com>  
Generated for Model #01012ET3E256TC-W22

Performed by

Checked

1 2 3 4 5 6 7 8

A

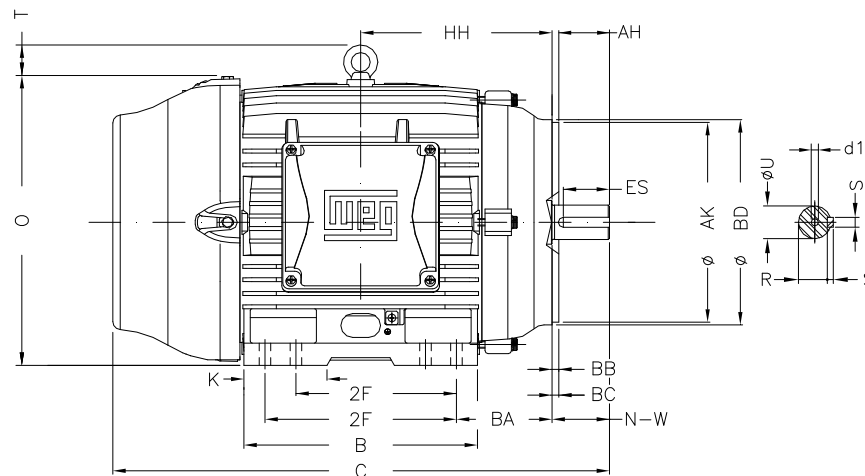
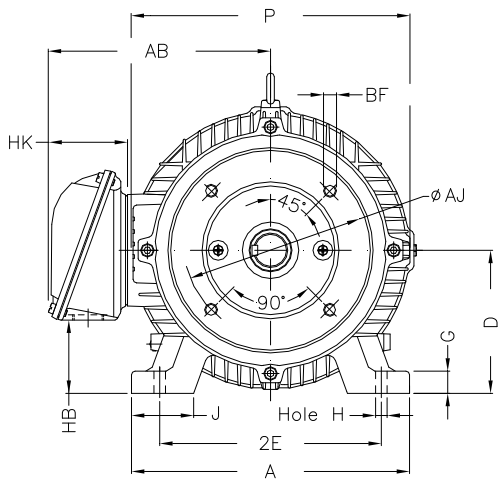
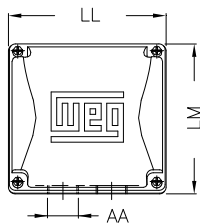
B

C

D

E

F



Notes: Downloaded from <http://dealerselectric.com>  
Generated for Model #01012ET3E256TC-W22

|              |       |        |            |             |
|--------------|-------|--------|------------|-------------|
| 2E           | J     | A      | P          | AB          |
| 10.000       | 2.539 | 12.126 | 12.953     | 10.483      |
| 2F           | K     | B      | BA         | FBA         |
| 8.252/10.000 | 2.559 | 11.732 | 4.250      | 6.852       |
| U            | N-W   | ES     | S          | R           |
| 1.625        | 4.000 | 2.756  | 0.375      | 1.416       |
| depth        | D     | G      | HB         | O           |
| 0.375        | 6.250 | 0.827  | 3.061      | 12.598      |
| T            | HF    | HH     | HK         | H           |
| 2.087        | 6.565 | 9.250  | 3.976      | 0.531       |
| C            | LL    | LM     | AA         | d1          |
| 24.945       | 7.815 | 7.480  | NPT 1 1/2" | A 4         |
| Flange       | AJ    | AK     | BD         | BF          |
| FC-184       | 7.250 | 8.500  | 8.875      | UNC 1/2"x13 |
| BB           | BC    | AH     |            |             |
| 0.250        | 0.250 | 3.750  |            |             |

Performed by:

Checked:

Customer:

W22 NEMA Premium - Ball Bearings

Three-phase induction motor  
Frame 254/6T - IP55

13-SEP-2016



1 2 3 4 5 6 7 8

A  
B  
C  
D  
E  
F

LOW VOLTAGE

HIGH VOLTAGE



CONNECTIONS FOR STARTING ONLY:

LOW VOLTAGE

HIGH VOLTAGE



Notes: Downloaded from <http://dealerselectric.com>  
Generated for Model #01012ET3E256TC-W22

Performed by:

Checked:

Customer:

W22 NEMA Premium - Ball Bearings

Three-phase induction motor  
Frame 254/6T - IP55

13-SEP-2016

