



Dealers Industrial Equipment

No.:

Date: 13-SEP-2016

Customer :

TECHNICAL PROPOSAL

Three-phase induction motor - Squirrel cage rotor

Product line : Brake Motors : Three-Phase - High Efficiency
Catalog Number : 01012EP3EBM256T
List Price : \$>(discontinued)

Notes:
Downloaded from <http://dealerselectric.com>
Generated for Model #01012EP3EBM256T

Performed by:

Checked:



Dealers Industrial Equipment

No.:

Date: 13-SEP-2016

DATA SHEET Three-phase induction motor - Squirrel cage rotor

Customer :
Product line : Brake Motors : Three-Phase - High Efficiency

Frame : 256T
Output : 10 HP
Frequency : 60 Hz
Poles : 6
Full load speed : 1175 rpm
Slip : 2.08 %
Voltage : 230/460 V
Rated current : 26.6/13.3 A
Locked rotor current : 184/91.8 A
Locked rotor current (I_L/I_n) : 6.9
No-load current : 13.8/6.88 A
Full load torque : 44.1 lb.ft
Locked rotor torque : 230 %
Breakdown torque : 290 %
Design : B
Insulation class : F
Temperature rise : 80 K
Locked rotor time : 22 s (hot)
Service factor : 1.25
Duty cycle : S1
Ambient temperature : -20°C - +40°C
Altitude : 1000 m
Degree of Protection : IP55
Approximate weight : 282 lb
Moment of inertia : 2.8972 sq.ft.lb
Noise level : 59 dB(A)

	D.E.	N.D.E.
Bearings	6309 C3	6209 Z-C3
Regreasing interval	20000 h	20000 h
Grease amount	13 g	9 g

Load	Power factor	Efficiency (%)
100%	0.79	89.5
75%	0.72	89.5
50%	0.58	88.5

Notes:
Downloaded from <http://dealerselectric.com>
Generated for Model #01012EP3EBM256T

Performed by

Checked



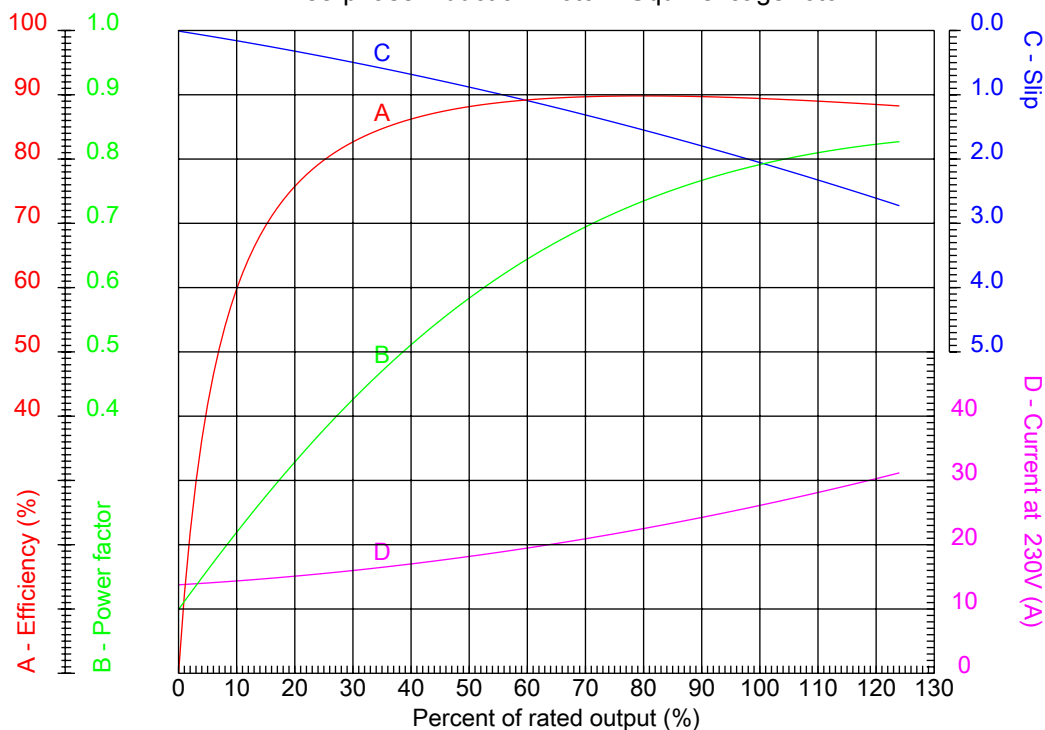
Dealers Industrial Equipment

No.:

Date: 13-SEP-2016

PERFORMANCE CURVES RELATED TO RATED OUTPUT

Three-phase induction motor - Squirrel cage rotor



Customer :
Product line : Brake Motors : Three-Phase - High Efficiency

Frame	: 256T	Locked rotor current (I _l /I _n)	: 6.9
Output	: 10 HP	Duty cycle	: S1
Frequency	: 60 Hz	Service factor	: 1.25
Full load speed	: 1175 rpm	Design	: B
Voltage	: 230/460 V	Locked rotor torque	: 230 %
Rated current	: 26.6/13.3 A	Breakdown torque	: 290 %
Insulation class	: F		

Notes:
Downloaded from <http://dealerselectric.com>
Generated for Model #01012EP3EBM256T

Performed by

Checked



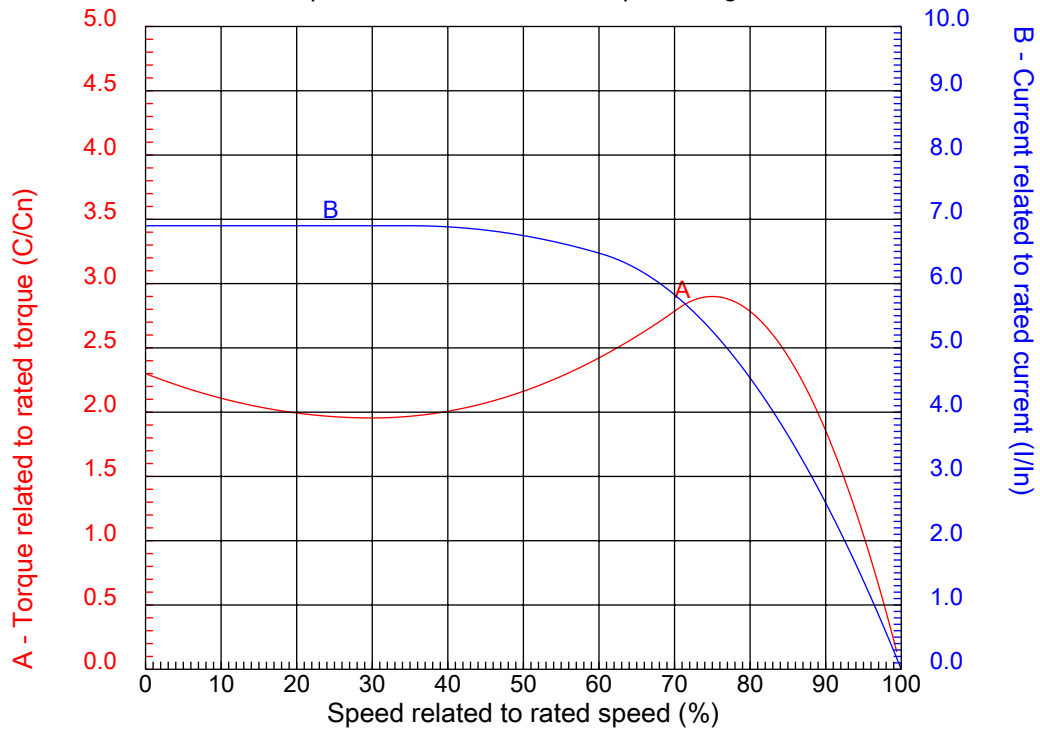
Dealers Industrial Equipment

No.:

Date: 13-SEP-2016

CHARACTERISTIC CURVES RELATED TO SPEED

Three-phase induction motor - Squirrel cage rotor



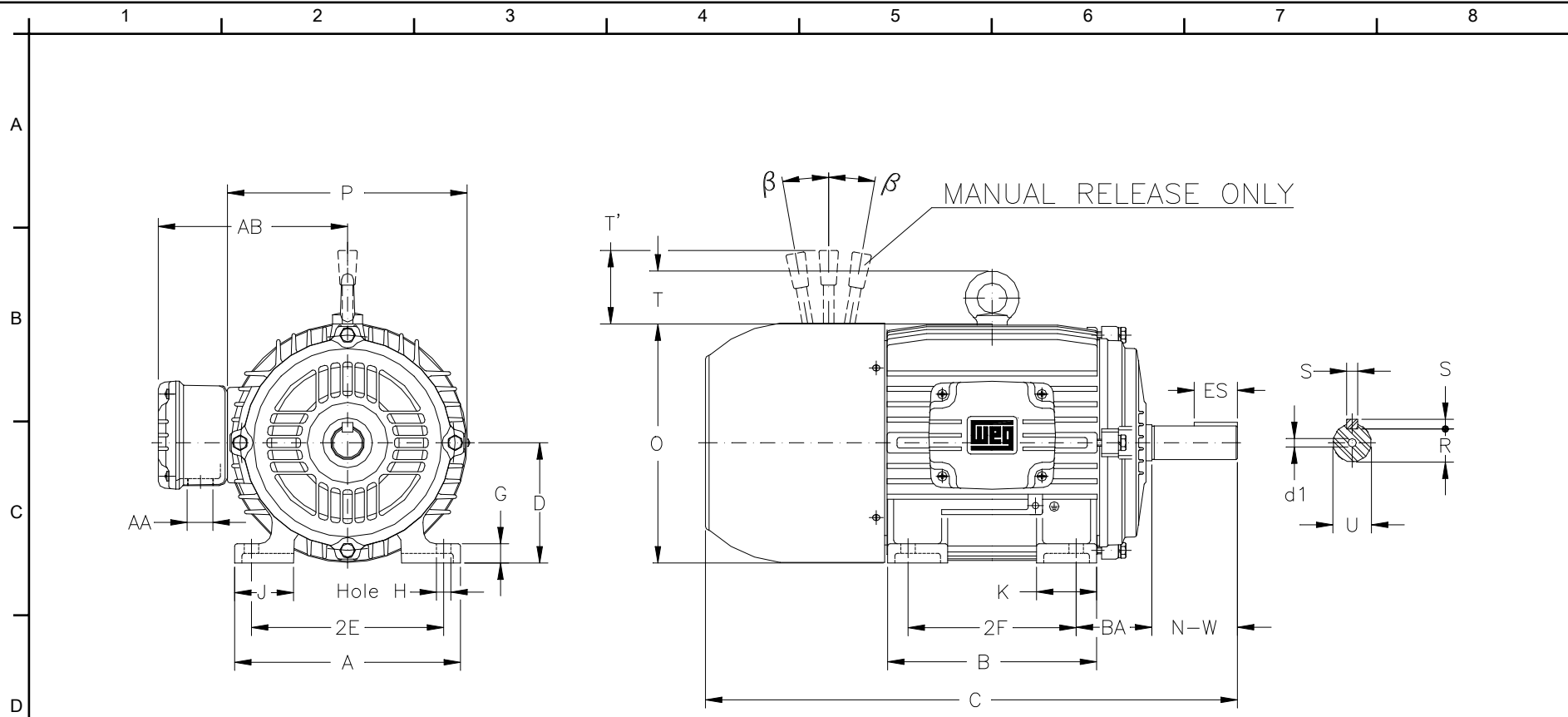
Customer :
Product line : Brake Motors : Three-Phase - High Efficiency

Frame	: 256T	Locked rotor current (I _l /I _n)	: 6.9
Output	: 10 HP	Duty cycle	: S1
Frequency	: 60 Hz	Service factor	: 1.25
Full load speed	: 1175 rpm	Design	: B
Voltage	: 230/460 V	Locked rotor torque	: 230 %
Rated current	: 26.6/13.3 A	Breakdown torque	: 290 %
Insulation class	: F		

Notes:
Downloaded from <http://dealerselectric.com>
Generated for Model #01012EP3EBM256T

Performed by

Checked



Notes: Downloaded from <http://dealerselectric.com>
 Generated for Model #01012EP3EBM256T

Performed by:

Checked:

Customer:

Brake Motors : Three-Phase - High Efficiency

2E 10.000	A 12.126	2F 10.000	B 11.732	BA 4.250
J 2.520	K 2.559	P 12.283	ES 2.756	depth 0.375
S 0.375	N-W 4.000	U 1.625	R 1.416	D 6.250
G 0.817	O 12.431	T 2.087	H 0.531	C 29.827
AA NPT 1 1/2"	d1 A 4	d2 A 4		

Three-phase induction motor
 Frame 256T - IP55

13-SEP-2016

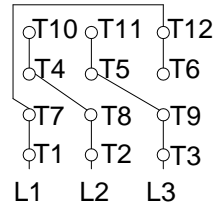


1 2 3 4 5 6 7 8

A

LOW VOLTAGE

HIGH VOLTAGE

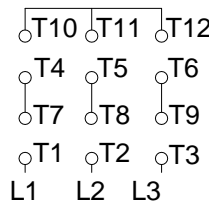
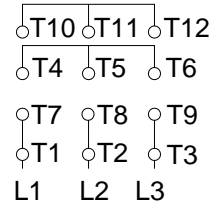


B

CONNECTIONS FOR STARTING ONLY:

LOW VOLTAGE

HIGH VOLTAGE



C

D

E

F

Notes: Downloaded from <http://dealerselectric.com>
Generated for Model #01012EP3EBM256T

Performed by:

Checked:

Customer:

Brake Motors : Three-Phase - High Efficiency

Three-phase induction motor
Frame 256T - IP55

13-SEP-2016

