



Dealers Industrial Equipment

No.:

Date: 13-SEP-2016

Customer :

TECHNICAL PROPOSAL

Three-phase induction motor - Squirrel cage rotor

Product line : Oil Well Pumping : High Slip - NEMA Design "D" - TEFC (IP55)

Catalog Number : 01009ES3EOW286T

List Price : \$3,437

Notes:

Downloaded from <http://dealerselectric.com>

Generated for Model #01009ES3EOW286T

Performed by:

Checked:



Dealers Industrial Equipment

No.:

Date: 13-SEP-2016

DATA SHEET

Three-phase induction motor - Squirrel cage rotor

Customer :
 Product line : Oil Well Pumping : High Slip - NEMA Design "D" - TEFC (IP55)

Frame : 286T
 Output : 10 HP
 Frequency : 60 Hz
 Poles : 8
 Full load speed : 830 rpm
 Slip : 7.78 %
 Voltage : 208-230/460 V
 Rated current : 30.7-27.8/13.9 A
 Locked rotor current : 161/80.6 A
 Locked rotor current (I_L/I_n) : 5.8
 No-load current : 9.00/4.50 A
 Full load torque : 62.4 lb.ft
 Locked rotor torque : 320 %
 Breakdown torque : 0 %
 Design : D
 Insulation class : F
 Temperature rise : 80 K
 Locked rotor time : 28 s (hot)
 Service factor : 1.15
 Duty cycle : S1
 Ambient temperature : -20°C - +40°C
 Altitude : 1000 m
 Degree of Protection : IP55
 Approximate weight : 382 lb
 Moment of inertia : 6.2173 sq.ft.lb
 Noise level : 54 dB(A)

	D.E.	N.D.E.
Bearings	6311 C3	6211 C3
Regreasing interval	20000 h	20000 h
Grease amount	18 g	11 g

Load	Power factor	Efficiency (%)
100%	0.82	82.5
75%	0.80	83.0
50%	0.70	82.5

Notes:
 Downloaded from <http://dealerselectric.com>
 Generated for Model #01009ES3EOW286T

Performed by

Checked



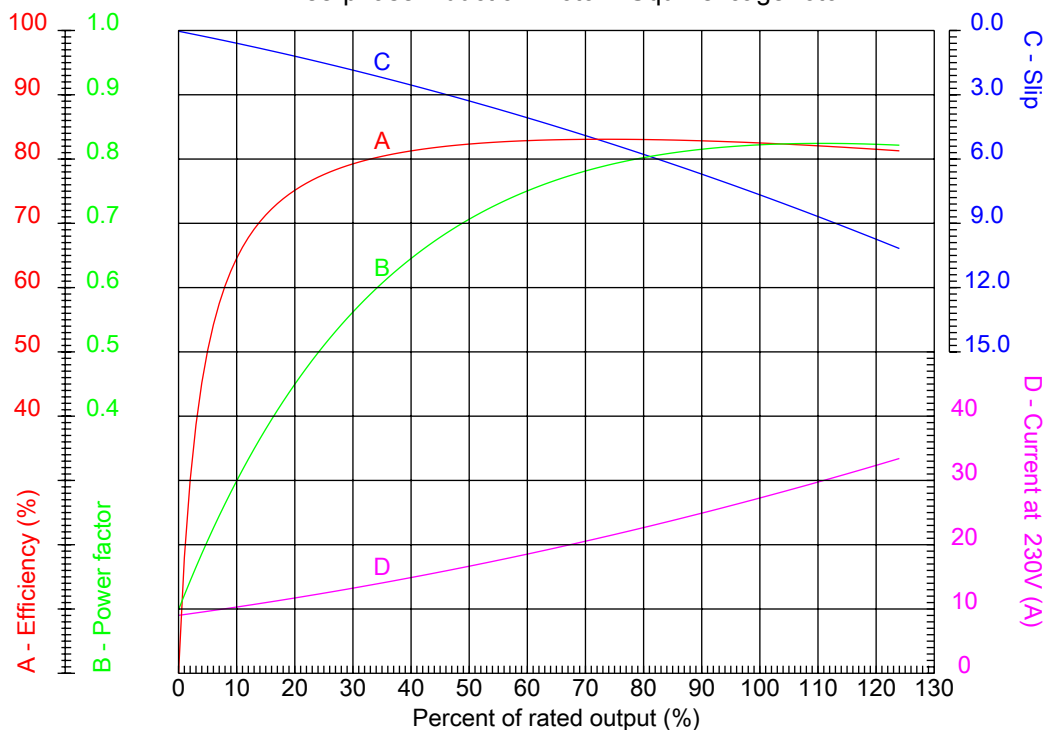
Dealers Industrial Equipment

No.:

Date: 13-SEP-2016

PERFORMANCE CURVES RELATED TO RATED OUTPUT

Three-phase induction motor - Squirrel cage rotor



Customer :
Product line : Oil Well Pumping : High Slip - NEMA Design "D" - TEFC (IP55)

Frame : 286T	Locked rotor current (I _l /I _n) : 5.8
Output : 10 HP	Duty cycle : S1
Frequency : 60 Hz	Service factor : 1.15
Full load speed : 830 rpm	Design : D
Voltage : 208-230/460 V	Locked rotor torque : 320 %
Rated current : 30.7-27.8/13.9 A	Breakdown torque : 0 %
Insulation class : F	

Notes:
Downloaded from <http://dealerselectric.com>
Generated for Model #01009ES3EOW286T

Performed by

Checked



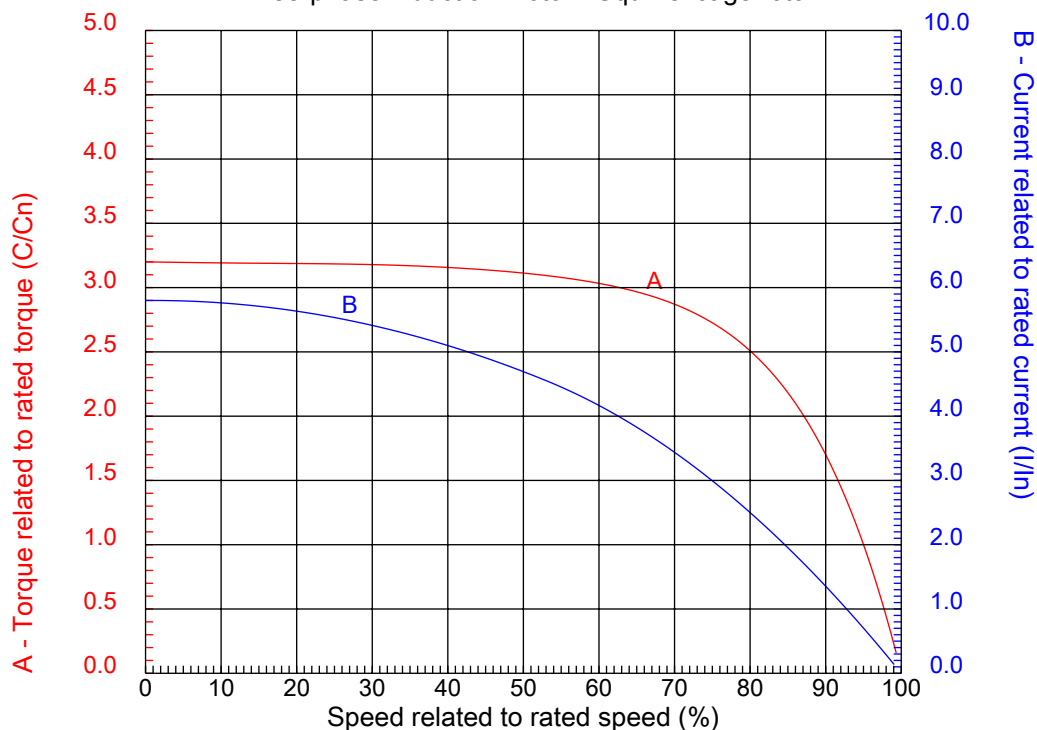
Dealers Industrial Equipment

No.:

Date: 13-SEP-2016

CHARACTERISTIC CURVES RELATED TO SPEED

Three-phase induction motor - Squirrel cage rotor



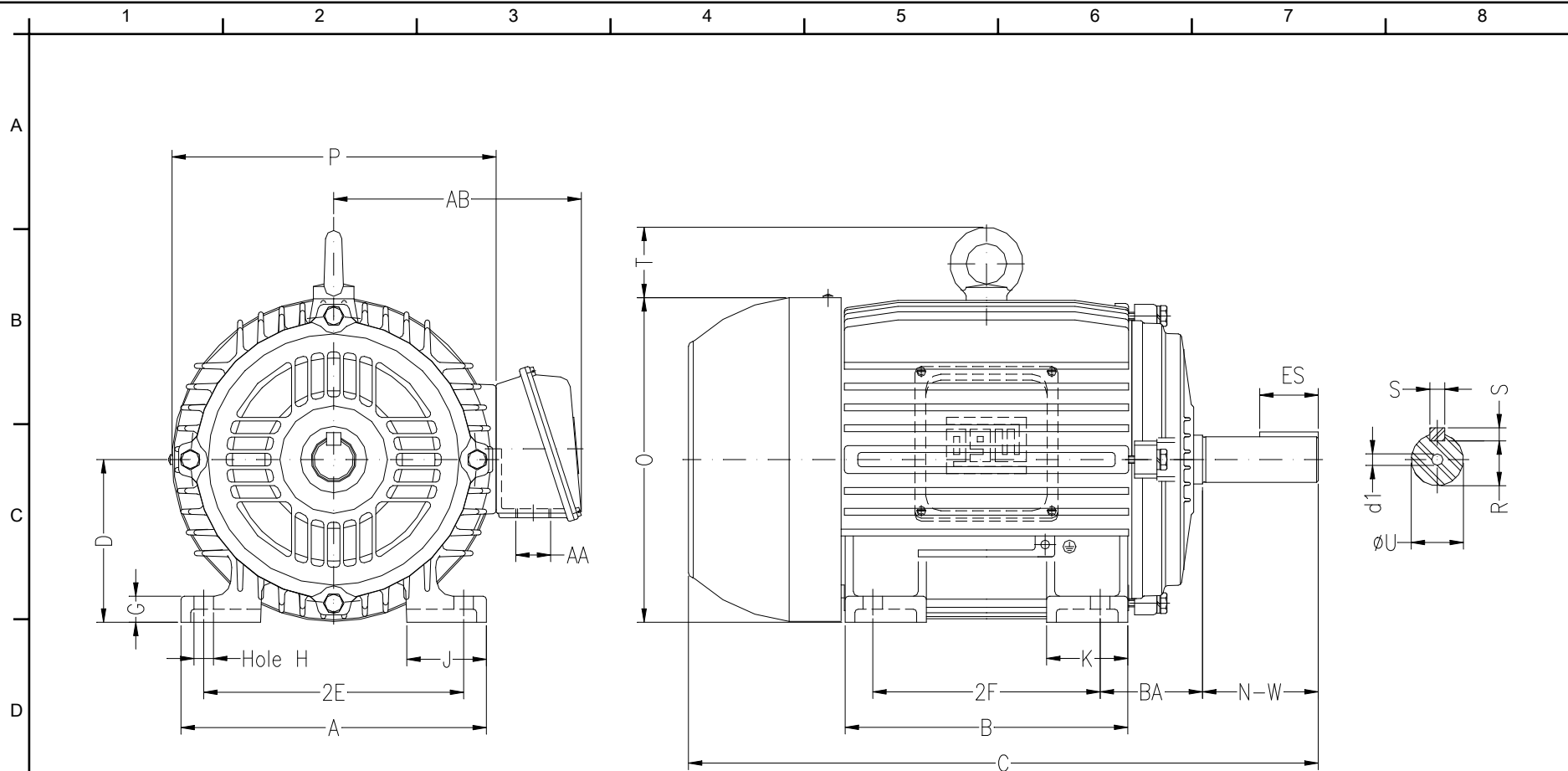
Customer :
Product line : Oil Well Pumping : High Slip - NEMA Design "D" - TEFC (IP55)

Frame	: 286T	Locked rotor current (I _l /I _n)	: 5.8
Output	: 10 HP	Duty cycle	: S1
Frequency	: 60 Hz	Service factor	: 1.15
Full load speed	: 830 rpm	Design	: D
Voltage	: 208-230/460 V	Locked rotor torque	: 320 %
Rated current	: 30.7-27.8/13.9 A	Breakdown torque	: 272 %
Insulation class	: F		

Notes:
Downloaded from <http://dealerselectric.com>
Generated for Model #01009ES3EOW286T

Performed by

Checked



Notes: Downloaded from <http://dealerselectric.com>
 Generated for Model #01009ES3EOW286T

Performed by:

Checked:

Customer:

Oil Well Pumping : High Slip - NEMA Design "D" - TEFC (IP55)

Three-phase induction motor
 Frame 286T - IP55

13-SEP-2016



2E 11.000	A 13.780	2F 11.000	B 13.071	BA 4.750
J 3.150	K 2.953	P 14.094	ES 3.149	depth 0.500
S 0.500	N-W 4.622	U 1.875	R 1.594	AB 10.866
D 7.000	G 1.016	O 14.067	T 2.087	H 0.531
C 27.929	AA NPT 1 1/2"	d1 A 4	d2 A 4	

1 2 3 4 5 6 7 8

A
B
C
D
E
F

LOW VOLTAGE

HIGH VOLTAGE



CONNECTIONS FOR STARTING ONLY:

LOW VOLTAGE

HIGH VOLTAGE



Notes: Downloaded from <http://dealerselectric.com>
Generated for Model #01009ES3EOW286T

Performed by:

Checked:

Customer:

Oil Well Pumping : High Slip - NEMA Design "D" - TEFC (IP55)

Three-phase induction motor
Frame 286T - IP55

13-SEP-2016

