



Dealers Industrial Equipment

No.:

Date: 13-SEP-2016

Customer :

TECHNICAL PROPOSAL

Three-phase induction motor - Squirrel cage rotor

Product line : Three-Phase : Explosion Proof - NEMA Premium

Catalog Number : 00736XT3H213T

List Price : \$1,646

Notes:

Downloaded from <http://dealerselectric.com>

Generated for Model #00736XT3H213T

Performed by:

Checked:



Dealers Industrial Equipment

No.:

Date: 13-SEP-2016

DATA SHEET Three-phase induction motor - Squirrel cage rotor

Customer :
 Product line : Three-Phase : Explosion Proof - NEMA Premium

Frame : 213T
 Output : 7.5 HP
 Frequency : 60 Hz
 Poles : 2
 Full load speed : 3510 rpm
 Slip : 2.50 %
 Voltage : 575 V
 Rated current : 6.86 A
 Locked rotor current : 48.0 A
 Locked rotor current (I_L/I_n) : 7.0
 No-load current : 2.00 A
 Full load torque : 11.1 lb.ft
 Locked rotor torque : 220 %
 Breakdown torque : 300 %
 Design : B
 Insulation class : F
 Temperature rise : 80 K
 Locked rotor time : 23 s (hot)
 Service factor : 1.15
 Duty cycle : S1
 Ambient temperature : -20°C - +40°C
 Altitude : 1000 m
 Degree of Protection : IP55
 Approximate weight : 190 lb
 Moment of inertia : 0.46962 sq.ft.lb
 Noise level : 72 dB(A)

	D.E.	N.D.E.
Bearings	6308 2RS	6207 2RS
Regreasing interval	---	---
Grease amount	---	---

Load	Power factor	Efficiency (%)
100%	0.90	89.5
75%	0.87	88.5
50%	0.81	85.5

Notes:
 Downloaded from <http://dealerselectric.com>
 Generated for Model #00736XT3H213T

Performed by

Checked



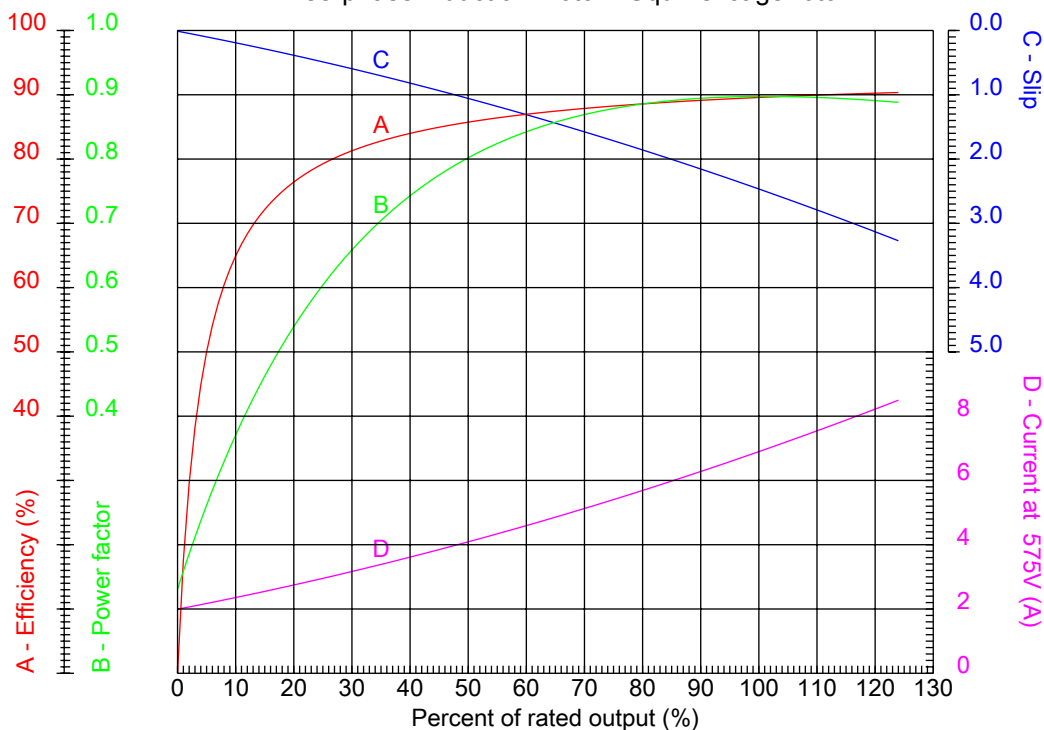
Dealers Industrial Equipment

No.:

Date: 13-SEP-2016

PERFORMANCE CURVES RELATED TO RATED OUTPUT

Three-phase induction motor - Squirrel cage rotor



Customer :
 Product line : Three-Phase : Explosion Proof - NEMA Premium

Frame	: 213T	Locked rotor current (I _L /I _n)	: 7.0
Output	: 7.5 HP	Duty cycle	: S1
Frequency	: 60 Hz	Service factor	: 1.15
Full load speed	: 3510 rpm	Design	: B
Voltage	: 575 V	Locked rotor torque	: 220 %
Rated current	: 6.86 A	Breakdown torque	: 300 %
Insulation class	: F		

Notes:
 Downloaded from <http://dealerselectric.com>
 Generated for Model #00736XT3H213T

Performed by

Checked



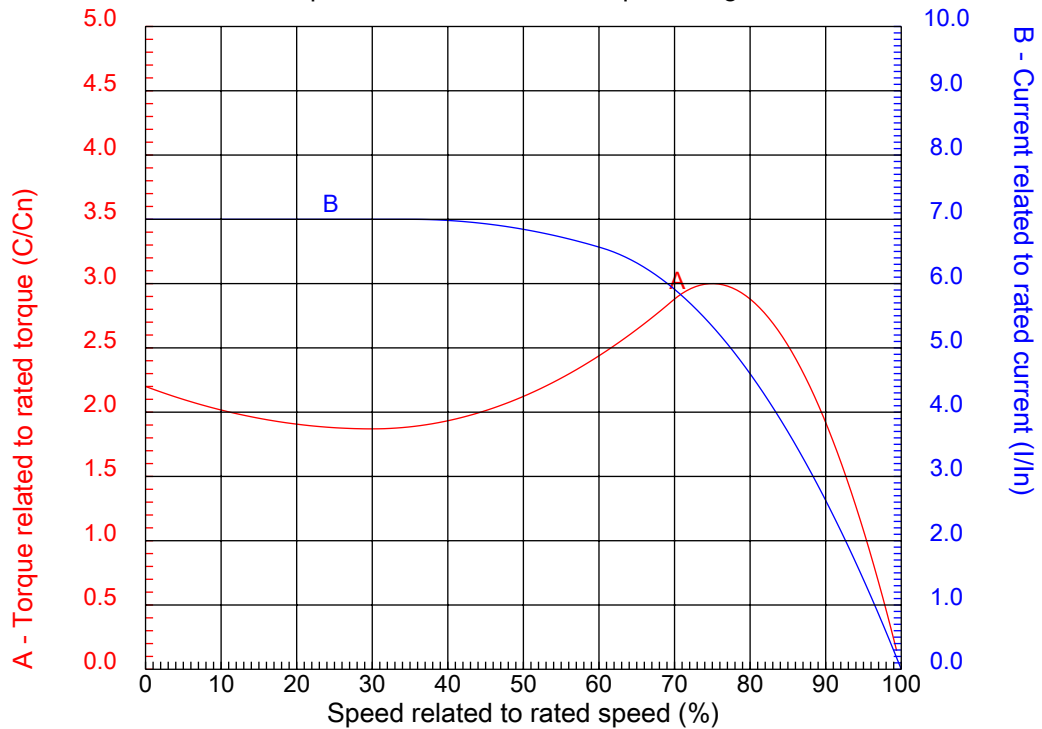
Dealers Industrial Equipment

No.:

Date: 13-SEP-2016

CHARACTERISTIC CURVES RELATED TO SPEED

Three-phase induction motor - Squirrel cage rotor



Customer :
Product line : Three-Phase : Explosion Proof - NEMA Premium

Frame	: 213T	Locked rotor current (I _l /I _n)	: 7.0
Output	: 7.5 HP	Duty cycle	: S1
Frequency	: 60 Hz	Service factor	: 1.15
Full load speed	: 3510 rpm	Design	: B
Voltage	: 575 V	Locked rotor torque	: 220 %
Rated current	: 6.86 A	Breakdown torque	: 300 %
Insulation class	: F		

Notes:
Downloaded from <http://dealerselectric.com>
Generated for Model #00736XT3H213T

Performed by

Checked

1 2 3 4 5 6 7 8

A

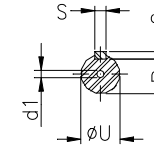
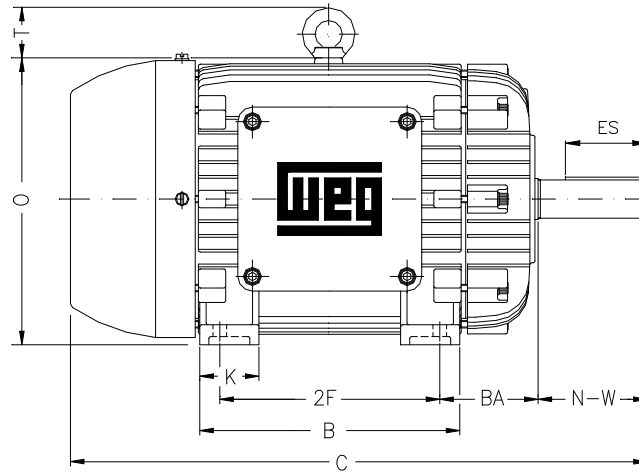
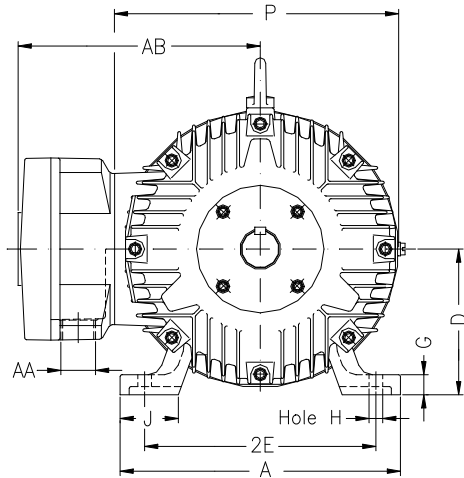
B

C

D

E

F



Notes: Downloaded from <http://dealerselectric.com>
Generated for Model #00736XT3H213T

Performed by:

Checked:

Customer:

Three-Phase : Explosion Proof - NEMA Premium

Three-phase induction motor
Frame 213T - IP55

13-SEP-2016



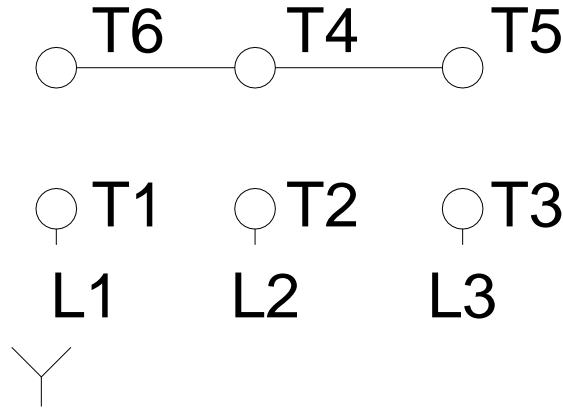
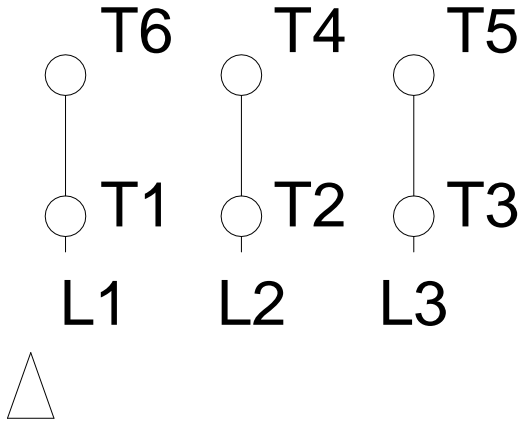
2E 8.500	A 9.764	2F 5.500	B 7.402	BA 3.500
J 2.008	K 2.165	P 10.709	ES 2.480	depth 0.313
S 0.313	N-W 3.375	U 1.375	R 1.203	AB 9.252
D 5.250	G 0.827	O 11.156	T 1.772	H 0.406
C 17.952	AA NPT 1"	d1 A 4	d2 A 4	

1 2 3 4 5 6 7 8

A
B
C
D
E
F

RUN

ONLY FOR START



Notes: Downloaded from http://dealerselectric.com Generated for Model #00736XT3H213T		
Performed by:		
Checked:		
Customer:		
Three-Phase : Explosion Proof - NEMA Premium		
Three-phase induction motor Frame 213T - IP55	13-SEP-2016	