



Dealers Industrial Equipment

No.:

Date: 13-SEP-2016

Customer :

TECHNICAL PROPOSAL

Single-phase induction motor - Squirrel cage rotor

Product line : Single-Phase : ODP (IP22)

Catalog Number : 00736OS1C184T

List Price : \$961

Notes:

Downloaded from <http://dealerselectric.com>

Generated for Model #00736OS1C184T

Performed by:

Checked:



Dealers Industrial Equipment

No.:

Date: 13-SEP-2016

DATA SHEET Single-phase induction motor - Squirrel cage rotor

Customer :
Product line : Single-Phase : ODP (IP22)

Frame : 184T
Output : 7.5 HP
Frequency : 60 Hz
Poles : 2
Full load speed : 3510 rpm
Slip : 2.50 %
Voltage : 208-230 V
Rated current : 33.4-30.0 A
Locked rotor current : 216 A
Locked rotor current (I_L/I_n) : 7.2
No-load current : 7.10 A
Full load torque : 11.1 lb.ft
Locked rotor torque : 240 %
Breakdown torque : 230 %
Design : ---
Insulation class : F
Temperature rise : 80 K
Locked rotor time : 6 s (hot)
Service factor : 1.25
Duty cycle : S1
Ambient temperature : -20°C - +40°C
Altitude : 1000 m
Degree of Protection : IP22
Approximate weight : 115 lb
Moment of inertia : 0.29425 sq.ft.lb
Noise level : ---

	D.E.	N.D.E.	Load	Power factor	Efficiency (%)
Bearings	6206 ZZ	6205 ZZ	100%	0.95	85.0
Regreasing interval	---	---	75%	0.93	84.0
Grease amount	---	---	50%	0.90	82.0

Notes:
Downloaded from <http://dealerselectric.com>
Generated for Model #00736OS1C184T

Performed by

Checked

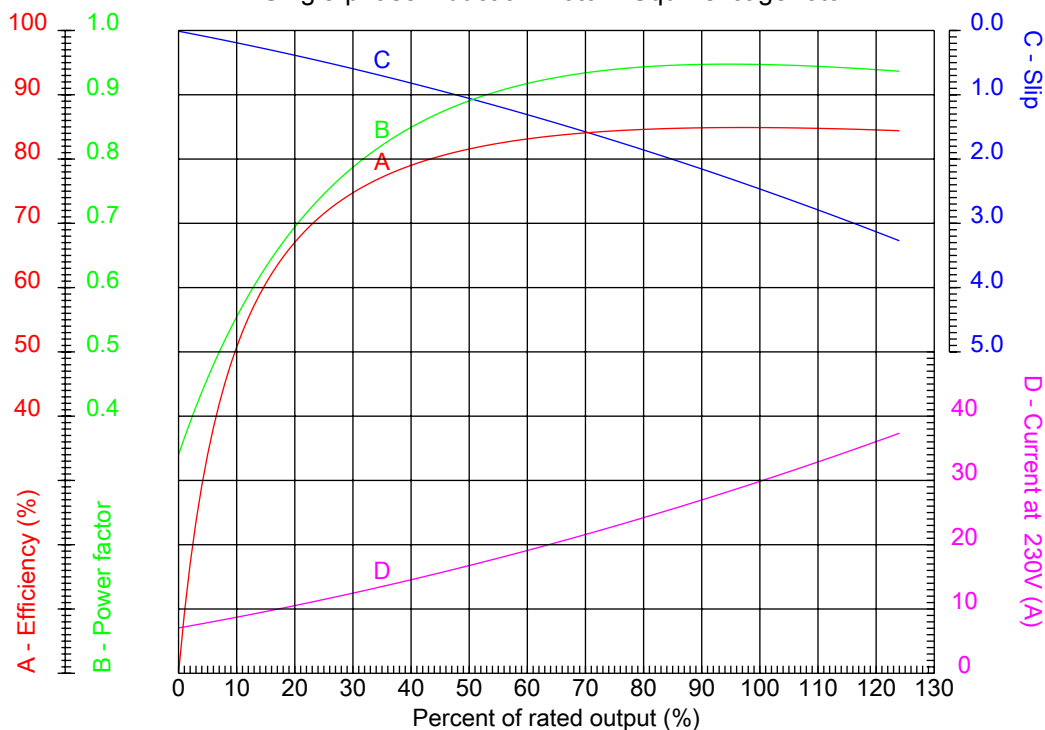


Dealers Industrial Equipment

No.:

Date: 13-SEP-2016

PERFORMANCE CURVES RELATED TO RATED OUTPUT Single-phase induction motor - Squirrel cage rotor



Customer :
Product line : Single-Phase : ODP (IP22)

Frame	: 184T	Locked rotor current (I _l /I _n)	: 7.2
Output	: 7.5 HP	Duty cycle	: S1
Frequency	: 60 Hz	Service factor	: 1.25
Full load speed	: 3510 rpm	Design	: ---
Voltage	: 208-230 V	Locked rotor torque	: 240 %
Rated current	: 33.4-30.0 A	Breakdown torque	: 230 %
Insulation class	: F		

Notes:
Downloaded from <http://dealerselectric.com>
Generated for Model #00736OS1C184T

Performed by

Checked

1 2 3 4 5 6 7 8

A

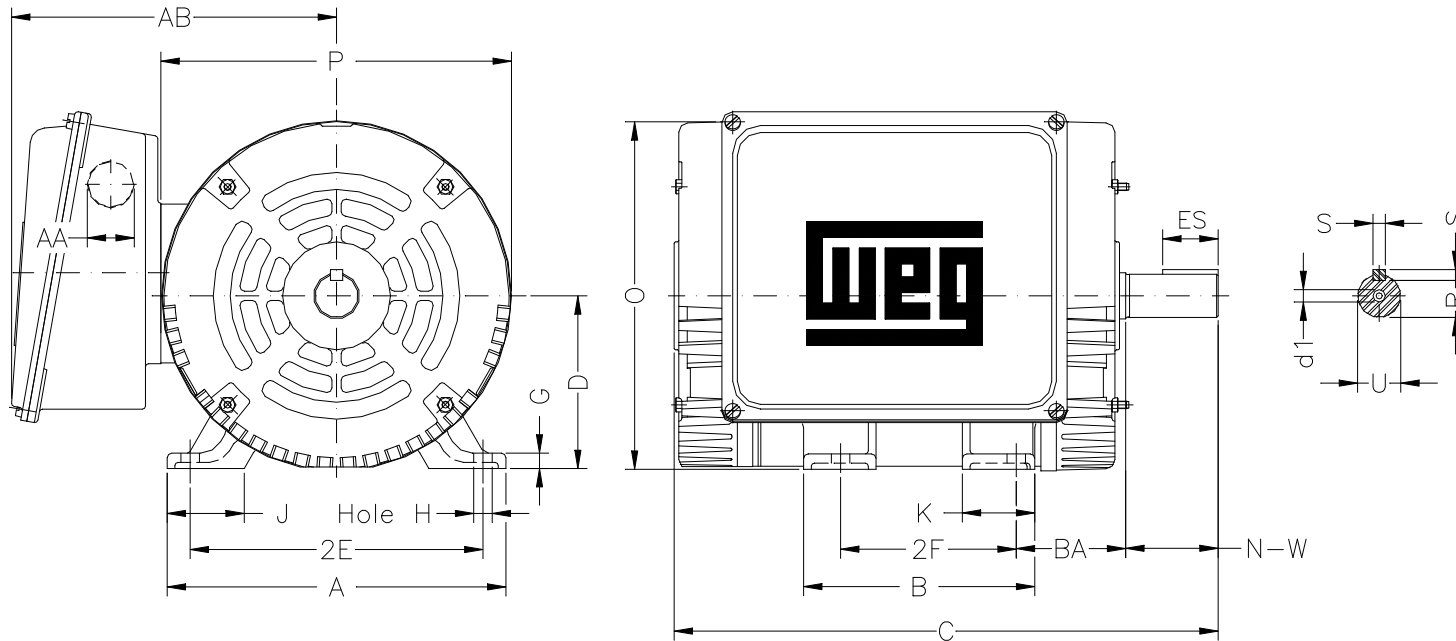
B

C

D

E

F



Notes: Downloaded from <http://dealerselectric.com>
Generated for Model #00736OS1C184T

Performed by:

Checked:

Customer:

Single-Phase : ODP (IP22)

Single-phase induction motor
Frame 184T - IP22

13-SEP-2016



2E 7.500	2F 5.500	H 0.406	BA 2.750	A 8.661
B 7.165	C 14.870	D 4.500	G 0.472	J 1.968
K 1.850	O 8.890	P 8.858	ES 1.968	S 0.250
N-W 2.750	U 1.125	R 0.984	AB 8.346	AA NPT 3/4"
d1 A 4				