



Dealers Industrial Equipment

No.:

Date: 13-SEP-2016

Customer :

TECHNICAL PROPOSAL

Three-phase induction motor - Squirrel cage rotor

Product line : Close Coupled Pump : Three-Phase - "JP" Type - ODP - High Efficiency - Vertical Motors
Catalog Number : 00736OP3E184JPV
List Price : \$993

Notes:
Downloaded from <http://dealerselectric.com>
Generated for Model #00736OP3E184JPV

Performed by:

Checked:



Dealers Industrial Equipment

No.:

Date: 13-SEP-2016

DATA SHEET Three-phase induction motor - Squirrel cage rotor

Customer :
 Product line : Close Coupled Pump : Three-Phase - "JP" Type - ODP - High Efficiency - Vertical Motors

Frame : 184JP
 Output : 7.5 HP
 Frequency : 60 Hz
 Poles : 2
 Full load speed : 3485 rpm
 Slip : 3.19 %
 Voltage : 230/460 V
 Rated current : 17.9/8.97 A
 Locked rotor current : 126/62.8 A
 Locked rotor current (I_L/I_n) : 7.0
 No-load current : 6.20/3.10 A
 Full load torque : 11.1 lb.ft
 Locked rotor torque : 220 %
 Breakdown torque : 300 %
 Design : B
 Insulation class : F
 Temperature rise : 80 K
 Locked rotor time : 13 s (hot)
 Service factor : 1.15
 Duty cycle : S1
 Ambient temperature : -20°C - +40°C
 Altitude : 1000 m
 Degree of Protection : IP21
 Approximate weight : 60 lb
 Moment of inertia : 0.16350 sq.ft.lb
 Noise level : ---

	D.E.	N.D.E.	Load	Power factor	Efficiency (%)
Bearings	6207 ZZ	6205 ZZ	100%	0.88	87.5
Regreasing interval	---	---	75%	0.84	87.5
Grease amount	---	---	50%	0.75	86.5

Notes:
 Downloaded from <http://dealerselectric.com>
 Generated for Model #00736OP3E184JPV

Performed by

Checked



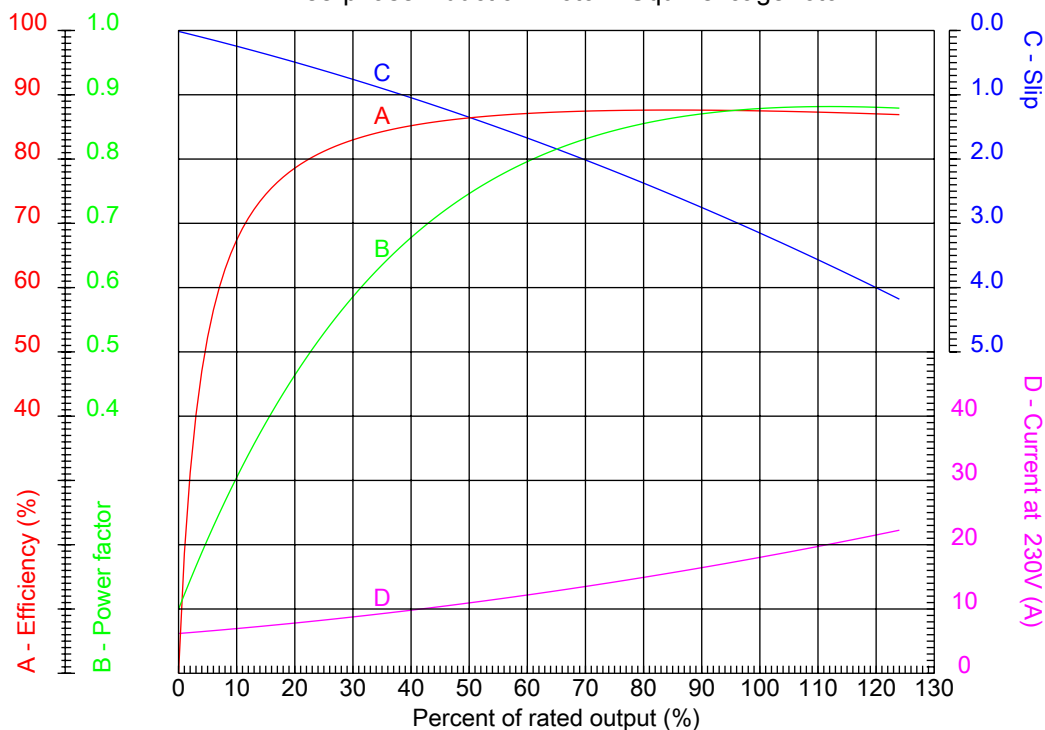
Dealers Industrial Equipment

No.:

Date: 13-SEP-2016

PERFORMANCE CURVES RELATED TO RATED OUTPUT

Three-phase induction motor - Squirrel cage rotor



Customer :
Product line : Close Coupled Pump : Three-Phase - "JP" Type - ODP - High Efficiency - Vertical Motors

Frame : 184JP	Locked rotor current (I _l /I _n) : 7.0
Output : 7.5 HP	Duty cycle : S1
Frequency : 60 Hz	Service factor : 1.15
Full load speed : 3485 rpm	Design : B
Voltage : 230/460 V	Locked rotor torque : 220 %
Rated current : 17.9/8.97 A	Breakdown torque : 300 %
Insulation class : F	

Notes:
Downloaded from <http://dealerselectric.com>
Generated for Model #00736OP3E184JPV

Performed by

Checked



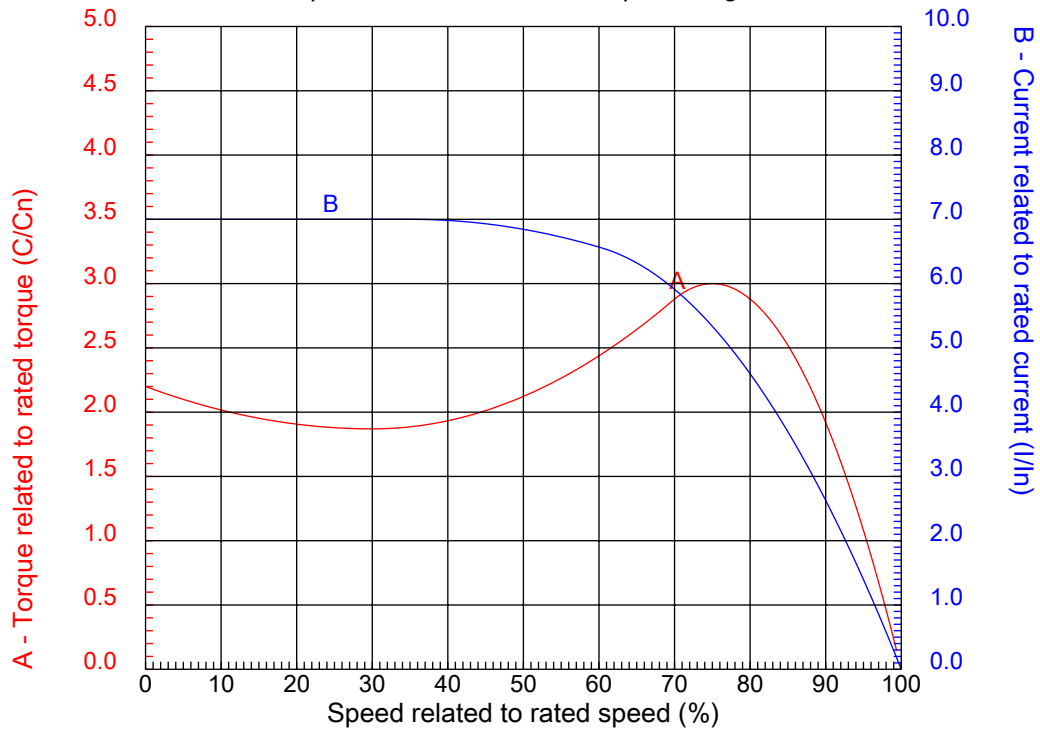
Dealers Industrial Equipment

No.:

Date: 13-SEP-2016

CHARACTERISTIC CURVES RELATED TO SPEED

Three-phase induction motor - Squirrel cage rotor



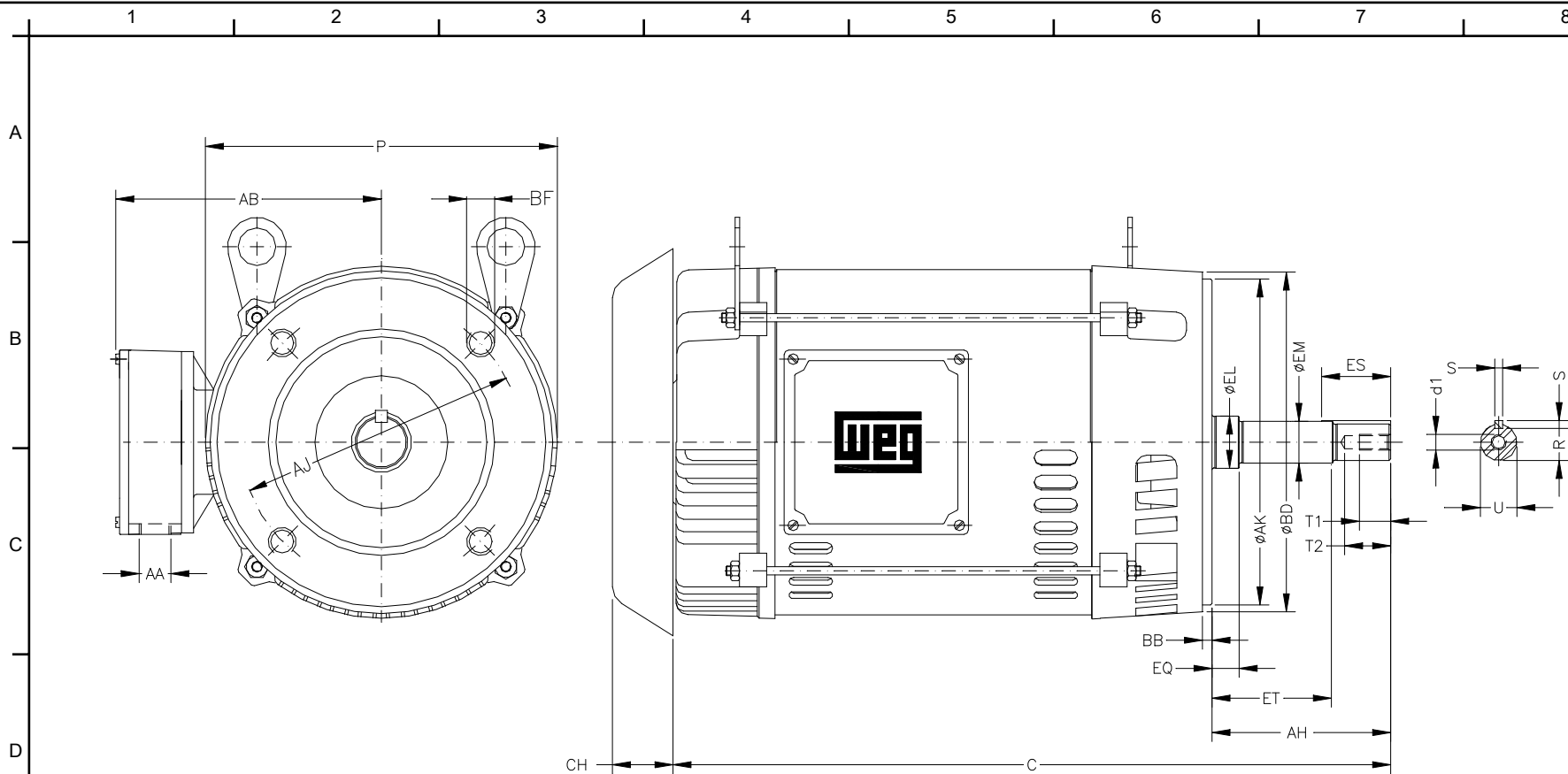
Customer :
Product line : Close Coupled Pump : Three-Phase - "JP" Type - ODP - High Efficiency - Vertical Motors

Frame	: 184JP	Locked rotor current (I _l /I _n)	: 7.0
Output	: 7.5 HP	Duty cycle	: S1
Frequency	: 60 Hz	Service factor	: 1.15
Full load speed	: 3485 rpm	Design	: B
Voltage	: 230/460 V	Locked rotor torque	: 220 %
Rated current	: 17.9/8.97 A	Breakdown torque	: 300 %
Insulation class	: F		

Notes:
Downloaded from <http://dealerselectric.com>
Generated for Model #00736OP3E184JPV

Performed by

Checked



Notes: Downloaded from <http://dealerselectric.com>
 Generated for Model #00736OP3E184JPV

Performed by:

Checked:

Customer:

Close Coupled Pump : Three-Phase - "JP" Type - ODP - High Efficiency - Vertical

Three-phase induction motor
 Frame 184JP - IP21

13-SEP-2016



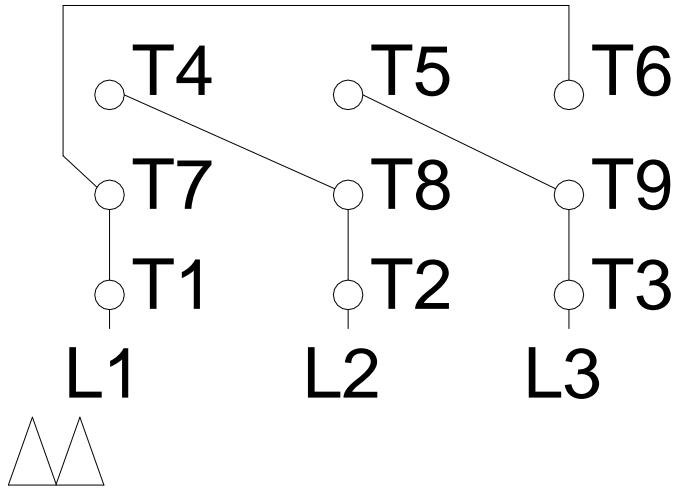
P	AB	AA	EQ	ET
7.637	6.574	NPT 3/4"	1.563	5.941
U	EM	EL	S	EP
0.874	1.000	1.250	0.187	1.376
R	ES	d1	t1	t2
0.768	1.654	EUNC 3/8"-16	0.748	1.102
C	Flange	AJ	AK	BD
21.023	FC-149	5.874	4.500	6.496
BF	BB	AH		
UNC 3/8"x16	0.157	7.319		

1 2 3 4 5 6 7 8

LOW VOLTAGE

HIGH VOLTAGE

A
B
C
D
E
F



Notes: Downloaded from <http://dealerselectric.com>
Generated for Model #00736OP3E184JPV

Performed by:

Checked:

Customer:

Close Coupled Pump : Three-Phase - "JP" Type - ODP - High Efficiency - Vertical

Three-phase induction motor
Frame 184JP - IP21

13-SEP-2016

