



# Dealers Industrial Equipment

No.:

Date: 13-SEP-2016

Customer :

## TECHNICAL PROPOSAL

### Three-phase induction motor - Squirrel cage rotor

Product line : W22 NEMA Premium - Ball Bearings

Catalog Number : 00736ET3H213TC-W22

List Price : \$1,177

#### Notes:

Downloaded from <http://dealerselectric.com>

Generated for Model #00736ET3H213TC-W22

Performed by:

Checked:



# Dealers Industrial Equipment

No.:

Date: 13-SEP-2016

## DATA SHEET Three-phase induction motor - Squirrel cage rotor

Customer :  
 Product line : W22 NEMA Premium - Ball Bearings

Frame : 213/5T  
 Output : 7.5 HP  
 Frequency : 60 Hz  
 Poles : 2  
 Full load speed : 3520 rpm  
 Slip : 2.22 %  
 Voltage : 575 V  
 Rated current : 7.01 A  
 Locked rotor current : 50.5 A  
 Locked rotor current (I<sub>L</sub>/I<sub>n</sub>) : 7.2  
 No-load current : 2.16 A  
 Full load torque : 11.0 lb.ft  
 Locked rotor torque : 210 %  
 Breakdown torque : 300 %  
 Design : B  
 Insulation class : F  
 Temperature rise : 80 K  
 Locked rotor time : 27 s (hot)  
 Service factor : 1.25  
 Duty cycle : S1  
 Ambient temperature : -20°C - +40°C  
 Altitude : 1000 m  
 Degree of Protection : IP55  
 Approximate weight : 139 lb  
 Moment of inertia : 0.46653 sq.ft.lb  
 Noise level : 72 dB(A)

	D.E.	N.D.E.
Bearings	6308 ZZ	6207 ZZ
Regreasing interval	---	---
Grease amount	---	---

Load	Power factor	Efficiency (%)
100%	0.88	89.5
75%	0.84	89.5
50%	0.75	87.5

Notes:  
 Downloaded from <http://dealerselectric.com>  
 Generated for Model #00736ET3H213TC-W22

Performed by

Checked



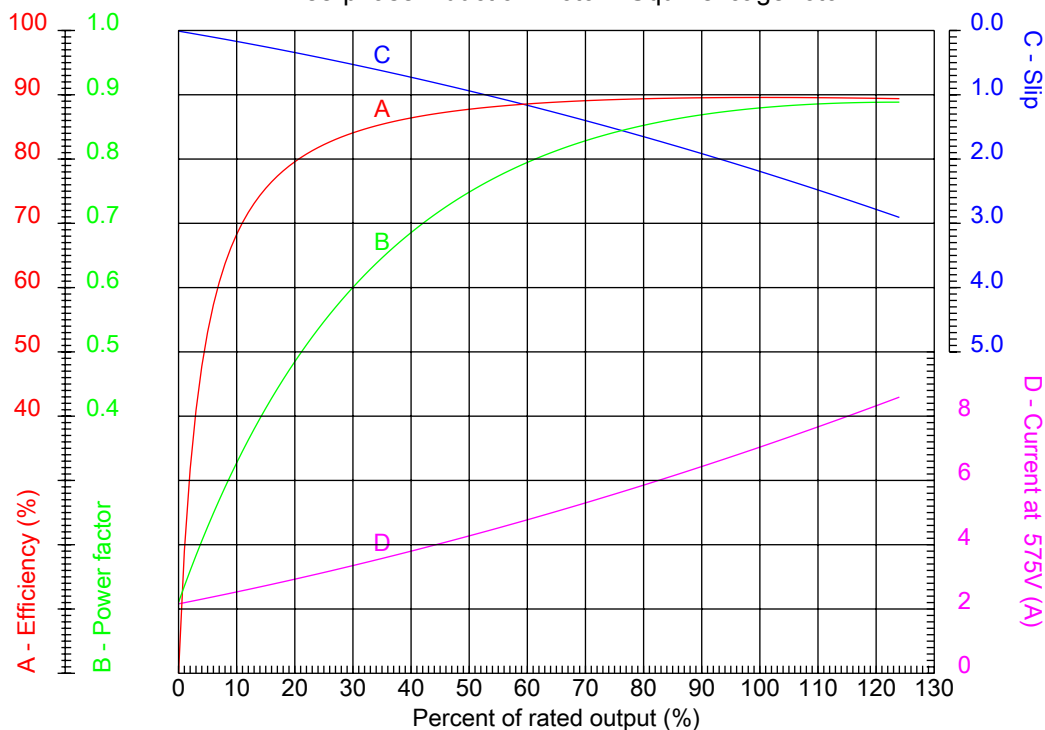
# Dealers Industrial Equipment

No.:

Date: 13-SEP-2016

## PERFORMANCE CURVES RELATED TO RATED OUTPUT

Three-phase induction motor - Squirrel cage rotor



Customer :  
Product line : W22 NEMA Premium - Ball Bearings

Frame	: 213/5T	Locked rotor current (I <sub>l</sub> /I <sub>n</sub> )	: 7.2
Output	: 7.5 HP	Duty cycle	: S1
Frequency	: 60 Hz	Service factor	: 1.25
Full load speed	: 3520 rpm	Design	: B
Voltage	: 575 V	Locked rotor torque	: 210 %
Rated current	: 7.01 A	Breakdown torque	: 300 %
Insulation class	: F		

Notes:  
Downloaded from <http://dealerselectric.com>  
Generated for Model #00736ET3H213TC-W22

Performed by

Checked



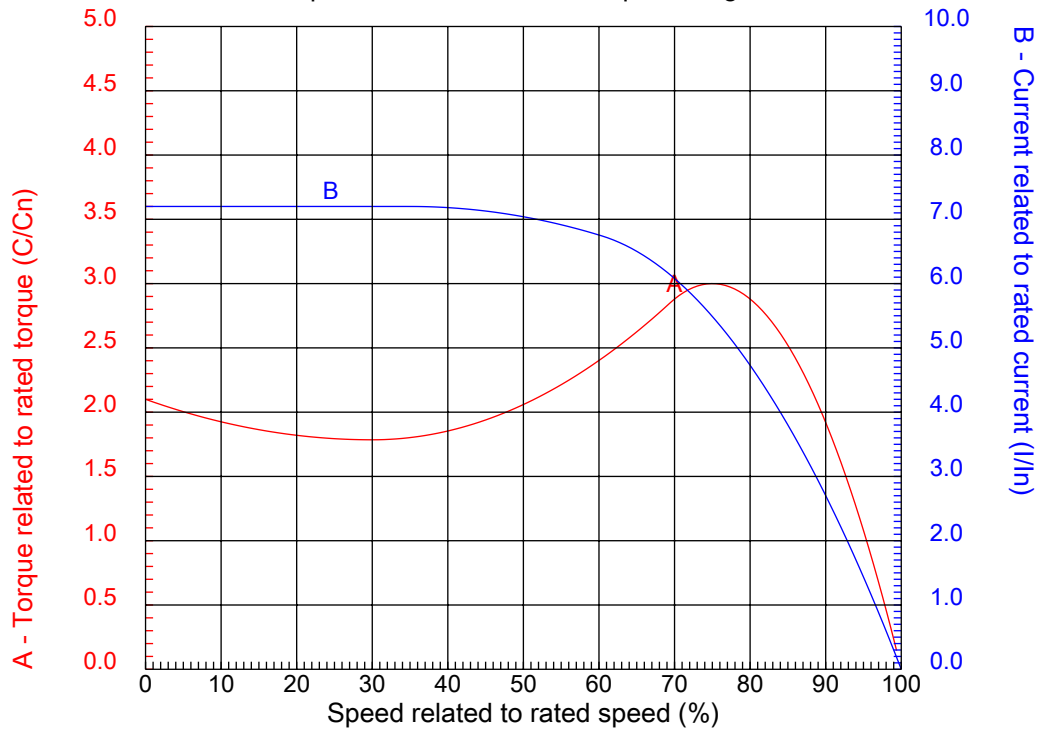
# Dealers Industrial Equipment

No.:

Date: 13-SEP-2016

## CHARACTERISTIC CURVES RELATED TO SPEED

Three-phase induction motor - Squirrel cage rotor



Customer :  
Product line : W22 NEMA Premium - Ball Bearings

Frame	: 213/5T	Locked rotor current (I <sub>l</sub> /I <sub>n</sub> )	: 7.2
Output	: 7.5 HP	Duty cycle	: S1
Frequency	: 60 Hz	Service factor	: 1.25
Full load speed	: 3520 rpm	Design	: B
Voltage	: 575 V	Locked rotor torque	: 210 %
Rated current	: 7.01 A	Breakdown torque	: 300 %
Insulation class	: F		

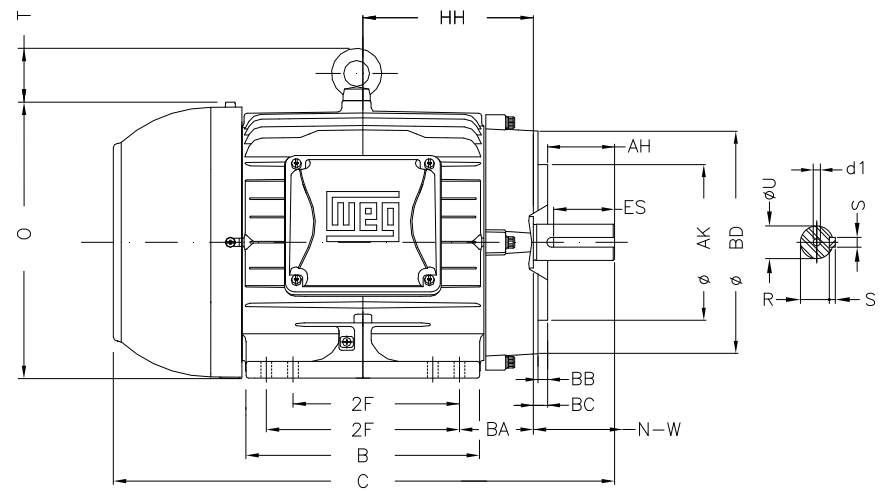
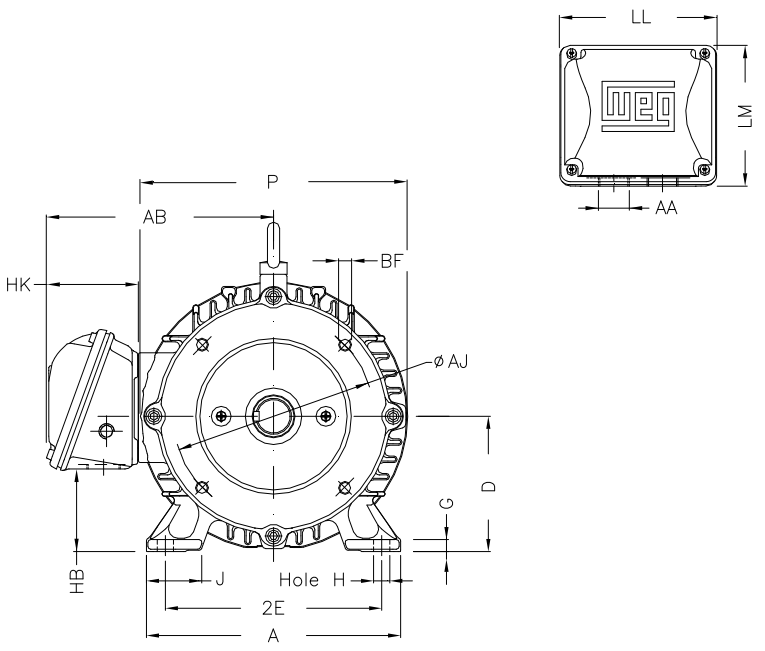
Notes:  
Downloaded from <http://dealerselectric.com>  
Generated for Model #00736ET3H213TC-W22

Performed by

Checked

1 2 3 4 5 6 7 8

A  
B  
C  
D  
E  
F



Notes: Downloaded from <http://dealerselectric.com>  
Generated for Model #00736ET3H213TC-W22

2E	J	A	P	AB
8.500	1.772	9.764	10.669	8.583
2F	K	B	BA	FBA
5.500/7.000	2.165	8.858	3.500	5.921
U	N-W	ES	S	R
1.375	3.375	2.480	0.313	1.203
depth	D	G	HB	O
0.313	5.250	0.669	2.985	10.841
T	HF	HH	HK	EV
1.772	5.250	7.000	3.150	0.929
H	C	FC	LL	LM
0.410	19.517	22.546	5.512	5.236
AA	d1	Flange	AJ	AK
NPT 1"	A 4	FC-184	7.250	8.500
BD	BF	BB	BC	AH
8.875	UNC 1/2"x13	0.250	0.250	3.125

Performed by:

Checked:

Customer:

W22 NEMA Premium - Ball Bearings

Three-phase induction motor  
Frame 213/5T - IP55

13-SEP-2016



1 2 3 4 5 6 7 8

A

B

C

D

E

F



Notes: Downloaded from <http://dealerselectric.com>  
Generated for Model #00736ET3H213TC-W22

Performed by:

Checked:

Customer:

W22 NEMA Premium - Ball Bearings

Three-phase induction motor  
Frame 213/5T - IP55

13-SEP-2016

