



Dealers Industrial Equipment

No.:

Date: 13-SEP-2016

Customer :

TECHNICAL PROPOSAL

Three-phase induction motor - Squirrel cage rotor

Product line : Three Phase: W01 (Rolled Steel) - TEFC - NEMA Premium Efficiency

Catalog Number : 00736ET3ER213TC-S

List Price : \$1,025

Notes:

Downloaded from <http://dealerselectric.com>

Generated for Model #00736ET3ER213TC-S

Performed by:

Checked:



Dealers Industrial Equipment

No.:

Date: 13-SEP-2016

### DATA SHEET Three-phase induction motor - Squirrel cage rotor

Customer :  
Product line : Three Phase: W01 (Rolled Steel) - TEFC - NEMA Premium Efficiency

Frame : 213/5T  
Output : 7.5 HP  
Frequency : 60 Hz  
Poles : 2  
Full load speed : 3530 rpm  
Slip : 1.94 %  
Voltage : 208-230/460 V  
Rated current : 19.2-17.3/8.67 A  
Locked rotor current : 132/65.9 A  
Locked rotor current (I<sub>L</sub>/I<sub>n</sub>) : 7.6  
No-load current : 6.63/3.32 A  
Full load torque : 11.0 lb.ft  
Locked rotor torque : 260 %  
Breakdown torque : 300 %  
Design : B  
Insulation class : F  
Temperature rise : 80 K  
Locked rotor time : 15 s (hot)  
Service factor : 1.15  
Duty cycle : S1  
Ambient temperature : -20°C - +40°C  
Altitude : 1000 m  
Degree of Protection : IP55  
Approximate weight : 133 lb  
Moment of inertia : 0.54959 sq.ft.lb  
Noise level : 70 dB(A)

	D.E.	N.D.E.
Bearings	6208 ZZ	6206 ZZ
Regreasing interval	---	---
Grease amount	---	---

Load	Power factor	Efficiency (%)
100%	0.89	89.5
75%	0.85	88.5
50%	0.76	87.5

Notes:  
Downloaded from <http://dealerselectric.com>  
Generated for Model #00736ET3ER213TC-S

Performed by

Checked



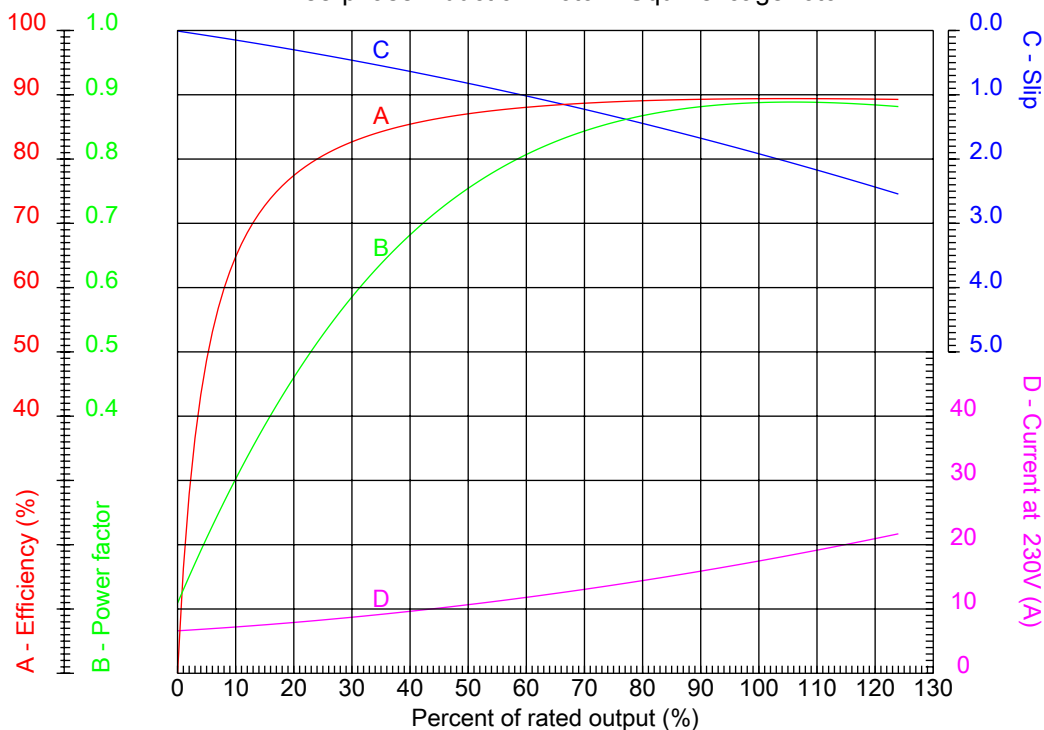
# Dealers Industrial Equipment

No.:

Date: 13-SEP-2016

## PERFORMANCE CURVES RELATED TO RATED OUTPUT

Three-phase induction motor - Squirrel cage rotor



Customer :  
Product line : Three Phase: W01 (Rolled Steel) - TEFC - NEMA Premium Efficiency

Frame	: 213/5T	Locked rotor current (I <sub>L</sub> /I <sub>n</sub> )	: 7.6
Output	: 7.5 HP	Duty cycle	: S1
Frequency	: 60 Hz	Service factor	: 1.15
Full load speed	: 3530 rpm	Design	: B
Voltage	: 208-230/460 V	Locked rotor torque	: 260 %
Rated current	: 19.2-17.3/8.67 A	Breakdown torque	: 300 %
Insulation class	: F		

Notes:  
Downloaded from <http://dealerselectric.com>  
Generated for Model #00736ET3ER213TC-S

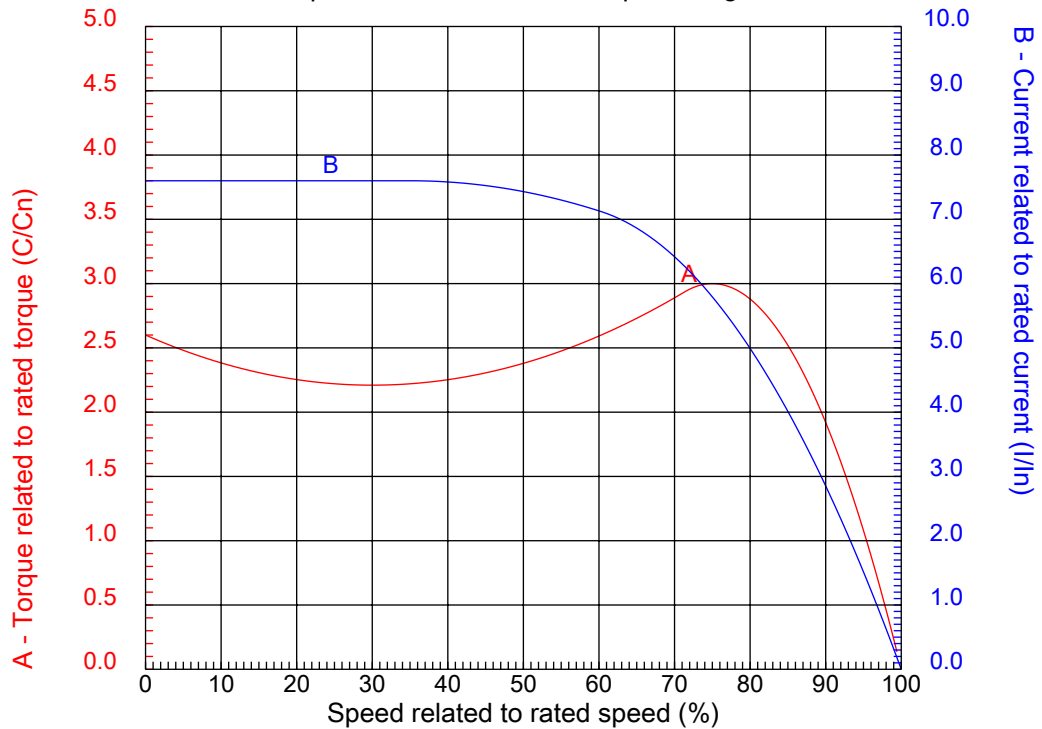
Performed by

Checked



## CHARACTERISTIC CURVES RELATED TO SPEED

Three-phase induction motor - Squirrel cage rotor



Customer :  
Product line : Three Phase: W01 (Rolled Steel) - TEFC - NEMA Premium Efficiency

Frame	: 213/5T	Locked rotor current (I <sub>l</sub> /I <sub>n</sub> )	: 7.6
Output	: 7.5 HP	Duty cycle	: S1
Frequency	: 60 Hz	Service factor	: 1.15
Full load speed	: 3530 rpm	Design	: B
Voltage	: 208-230/460 V	Locked rotor torque	: 260 %
Rated current	: 19.2-17.3/8.67 A	Breakdown torque	: 300 %
Insulation class	: F		

Notes:  
Downloaded from <http://dealerselectric.com>  
Generated for Model #00736ET3ER213TC-S

Performed by

Checked

1 2 3 4 5 6 7 8

A

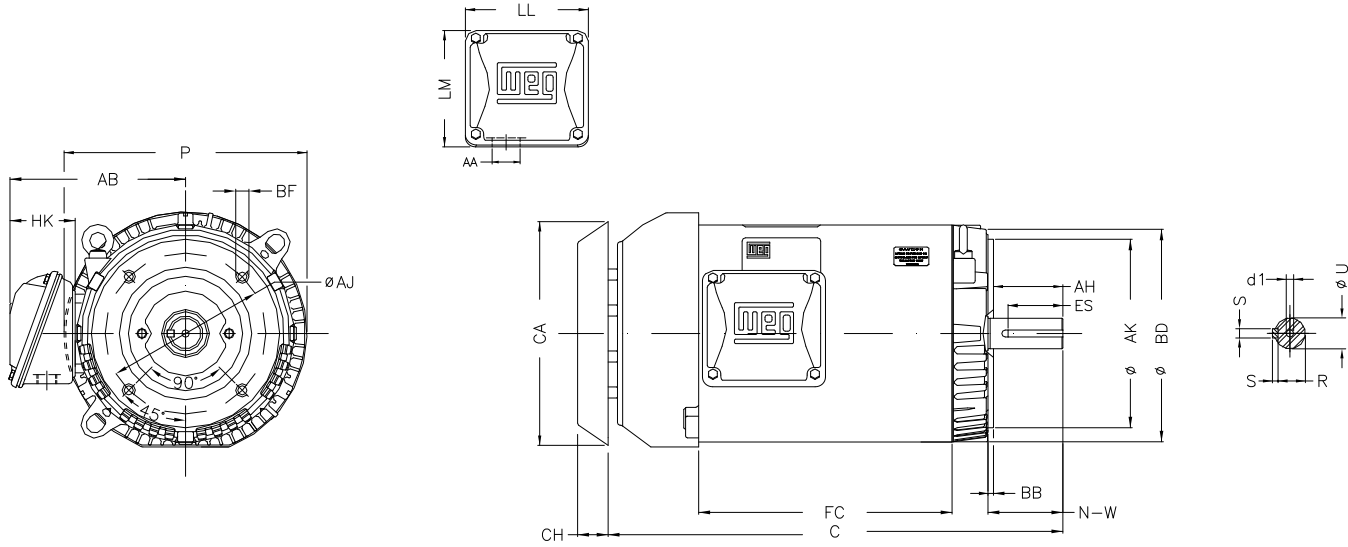
B

C

D

E

F



Notes: Downloaded from <http://dealerselectric.com>  
Generated for Model #00736ET3ER213TC-S

Performed by:

Checked:

Customer:

Three Phase: W01 (Rolled Steel) - TEFC - NEMA Premium Efficiency

Three-phase induction motor  
Frame 213/5T - IP55

13-SEP-2016



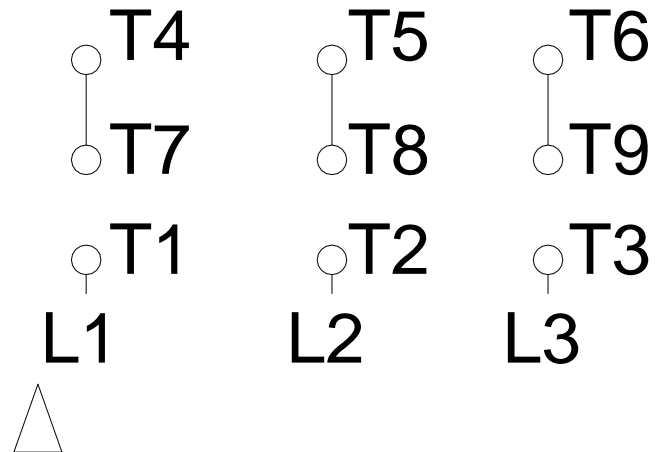
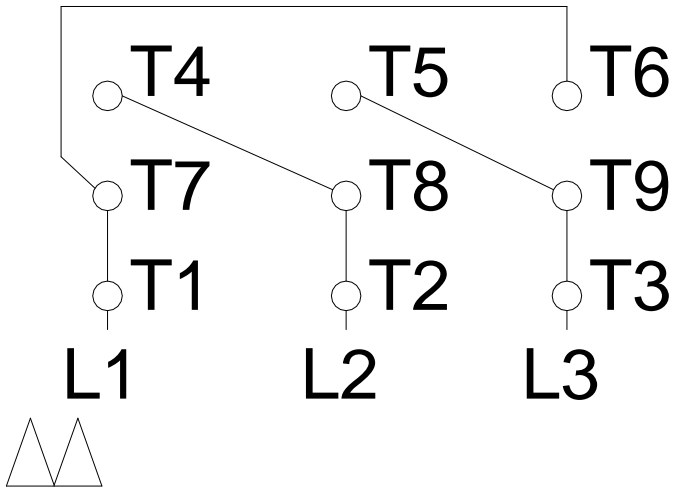
P	AB	HK	FC	C
10.965	7.973	3.022	11.417	20.079
N-W	ES	d1	S	U
3.380	2.480	A 4	0.313	1.375
AA	depth	R	LL	LM
1.377"	0.313	1.203	5.551	5.250
CH	Flange	AJ	AK	BD
1.929	FC-184	7.250	8.500	9.401
BF	BB	AH		
UNC 1/2"x13	0.250	3.129		

1 2 3 4 5 6 7 8

# LOW VOLTAGE

# HIGH VOLTAGE

A  
B  
C  
D  
E  
F



Notes: Downloaded from <http://dealerselectric.com>  
 Generated for Model #00736ET3ER213TC-S

Performed by:

Checked:

Customer:

Three Phase: W01 (Rolled Steel) - TEFC - NEMA Premium Efficiency

Three-phase induction motor  
 Frame 213/5T - IP55

13-SEP-2016

