



Dealers Industrial Equipment

No.:

Date: 13-SEP-2016

Customer :

TECHNICAL PROPOSAL

Three-phase induction motor - Squirrel cage rotor

Product line : Saw Arbor Motors : Single and Double Shaft End

Catalog Number : 00736ES3HSA80LL

List Price : \$1,642

Notes:

Downloaded from <http://dealerselectric.com>

Generated for Model #00736ES3HSA80LL

Performed by:

Checked:



Dealers Industrial Equipment

No.:

Date: 13-SEP-2016

DATA SHEET Three-phase induction motor - Squirrel cage rotor

Customer :
 Product line : Saw Arbor Motors : Single and Double Shaft End

Frame : 80L
 Output : 7.5 HP
 Frequency : 60 Hz
 Poles : 2
 Full load speed : 3490 rpm
 Slip : 3.06 %
 Voltage : 575 V
 Rated current : 7.81 A
 Locked rotor current : 71.8 A
 Locked rotor current (I_L/I_n) : 9.2
 No-load current : 3.52 A
 Full load torque : 11.1 lb.ft
 Locked rotor torque : 400 %
 Breakdown torque : 460 %
 Design : ---
 Insulation class : F
 Temperature rise : 80 K
 Locked rotor time : 5 s (hot)
 Service factor : 1.15
 Duty cycle : S6 50%
 Ambient temperature : -20°C - +40°C
 Altitude : 1000 m
 Degree of Protection : IP54
 Approximate weight : 120 lb
 Moment of inertia : 0.14357 sq.ft.lb
 Noise level : 62 dB(A)

	D.E.	N.D.E.
Bearings	6307 ZZ	6207 ZZ
Regreasing interval	---	---
Grease amount	---	---

Load	Power factor	Efficiency (%)
100%	0.81	87.4
75%	0.75	87.0
50%	0.64	85.2

Notes:
 Downloaded from <http://dealerselectric.com>
 Generated for Model #00736ES3HSA80LL

Performed by

Checked



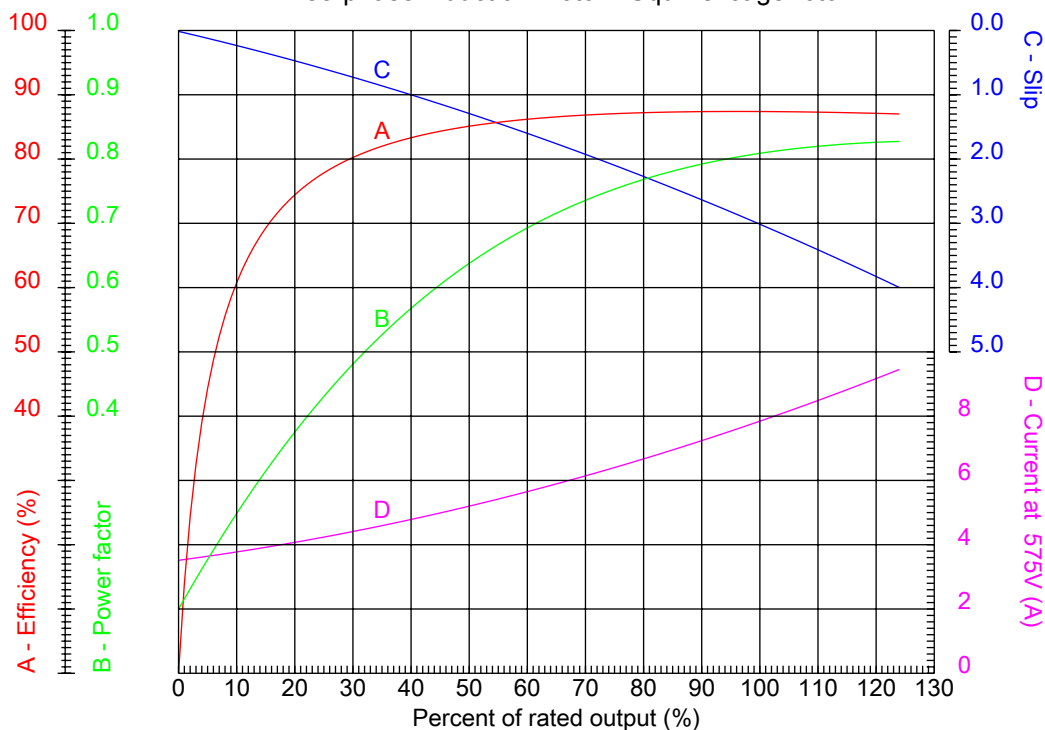
Dealers Industrial Equipment

No.:

Date: 13-SEP-2016

PERFORMANCE CURVES RELATED TO RATED OUTPUT

Three-phase induction motor - Squirrel cage rotor



Customer :
Product line : Saw Arbor Motors : Single and Double Shaft End

Frame : 80L	Locked rotor current (I _L /I _n) : 9.2
Output : 7.5 HP	Duty cycle : S6 50%
Frequency : 60 Hz	Service factor : 1.15
Full load speed : 3490 rpm	Design : ---
Voltage : 575 V	Locked rotor torque : 400 %
Rated current : 7.81 A	Breakdown torque : 460 %
Insulation class : F	

Notes:
Downloaded from <http://dealerselectric.com>
Generated for Model #00736ES3HSA80LL

Performed by

Checked



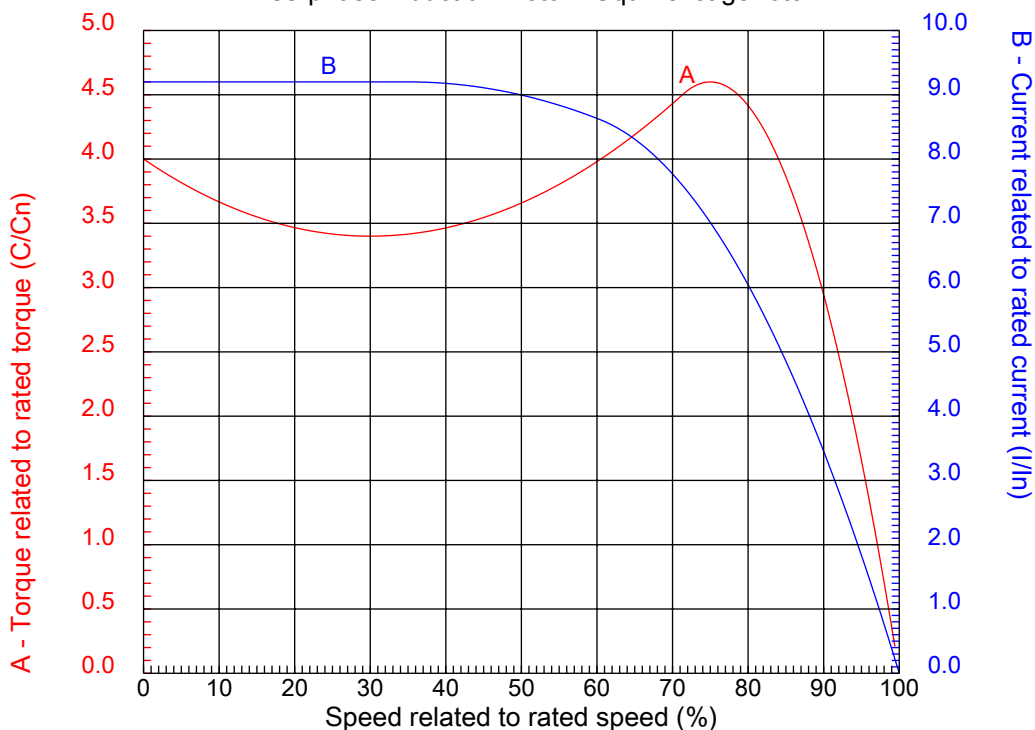
Dealers Industrial Equipment

No.:

Date: 13-SEP-2016

CHARACTERISTIC CURVES RELATED TO SPEED

Three-phase induction motor - Squirrel cage rotor



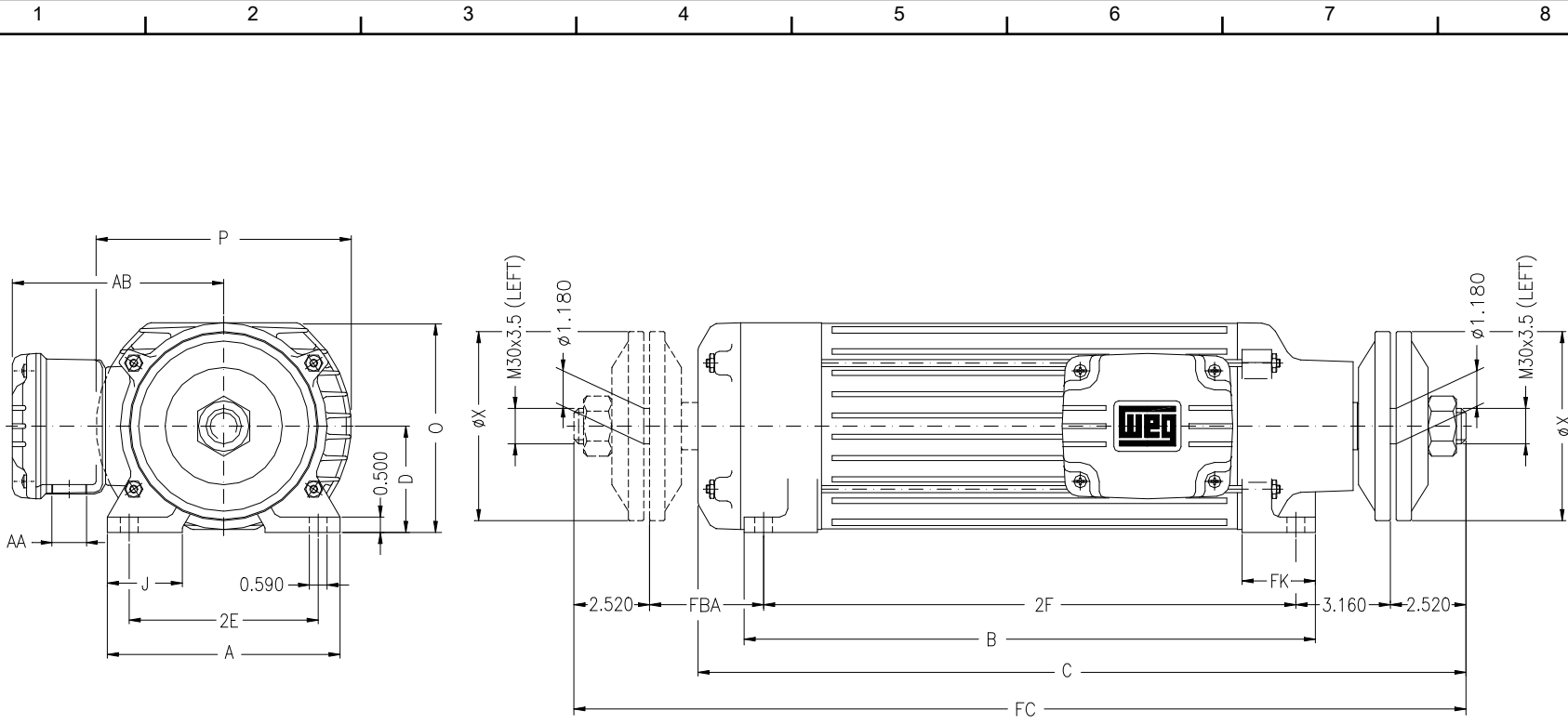
Customer :
 Product line : Saw Arbor Motors : Single and Double Shaft End

Frame	: 80L	Locked rotor current (I _l /I _n)	: 9.2
Output	: 7.5 HP	Duty cycle	: S6 50%
Frequency	: 60 Hz	Service factor	: 1.15
Full load speed	: 3490 rpm	Design	: ---
Voltage	: 575 V	Locked rotor torque	: 400 %
Rated current	: 7.81 A	Breakdown torque	: 460 %
Insulation class	: F		

Notes:
 Downloaded from <http://dealerselectric.com>
 Generated for Model #00736ES3HSA80LL

Performed by

Checked



Notes: Downloaded from <http://dealerselectric.com>
 Generated for Model #00736ES3HSA80LL

Performed by:

Checked:

Customer:

Saw Arbor Motors : Single and Double Shaft End

A	B	AB	BB	BA
190	360	225	405	45
CA	L	LC	H	AA
102	571.0	670.0	80	35
HC	AC	AD	S1	
157	190	164	NPT 3/4"	

Three-phase induction motor
 Frame 80L - IP54

13-SEP-2016

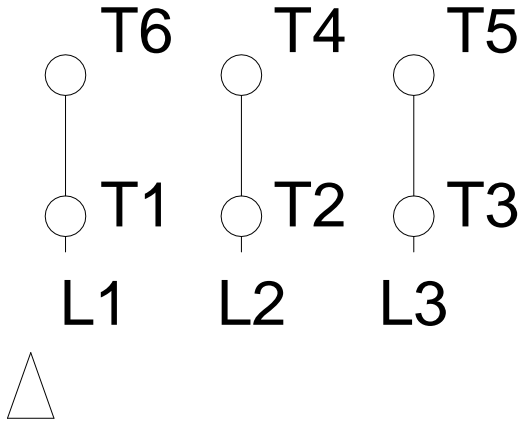


1 2 3 4 5 6 7 8

A
B
C
D
E
F

RUN

ONLY FOR START



Notes: Downloaded from http://dealerselectric.com Generated for Model #00736ES3HSA80LL		
Performed by:		
Checked:		
Customer:		
Saw Arbor Motors : Single and Double Shaft End		
Three-phase induction motor Frame 80L - IP54	13-SEP-2016	