



Dealers Industrial Equipment

No.:

Date: 13-SEP-2016

Customer :

TECHNICAL PROPOSAL

Single-phase induction motor - Squirrel cage rotor

Product line : Single-Phase : W21 TEFC (IP55)

Catalog Number : 00736ES1E213T

List Price : \$1,548

Notes:

Downloaded from <http://dealerselectric.com>

Generated for Model #00736ES1E213T

Performed by:

Checked:



Dealers Industrial Equipment

No.:

Date: 13-SEP-2016

DATA SHEET Single-phase induction motor - Squirrel cage rotor

Customer :
Product line : Single-Phase : W21 TEFC (IP55)

Frame : 213T
Output : 7.5 HP
Frequency : 60 Hz
Poles : 2
Full load speed : 3515 rpm
Slip : 2.36 %
Voltage : 208-230/460 V
Rated current : 33.4-29.8/14.9 A
Locked rotor current : 226/113 A
Locked rotor current (I_L/I_n) : 7.6
No-load current : 7.00/3.50 A
Full load torque : 11.1 lb.ft
Locked rotor torque : 180 %
Breakdown torque : 270 %
Design : ---
Insulation class : F
Temperature rise : 80 K
Locked rotor time : 6 s (hot)
Service factor : 1.15
Duty cycle : S1
Ambient temperature : -20°C - +40°C
Altitude : 1000 m
Degree of Protection : IP55
Approximate weight : 142 lb
Moment of inertia : 0.48623 sq.ft.lb
Noise level : ---

	D.E.	N.D.E.	Load	Power factor	Efficiency (%)
Bearings	6308 ZZ	6206 ZZ	100%	0.94	86.0
Regreasing interval	---	---	75%	0.93	85.0
Grease amount	---	---	50%	0.88	83.0

Notes:
Downloaded from <http://dealerselectric.com>
Generated for Model #00736ES1E213T

Performed by

Checked



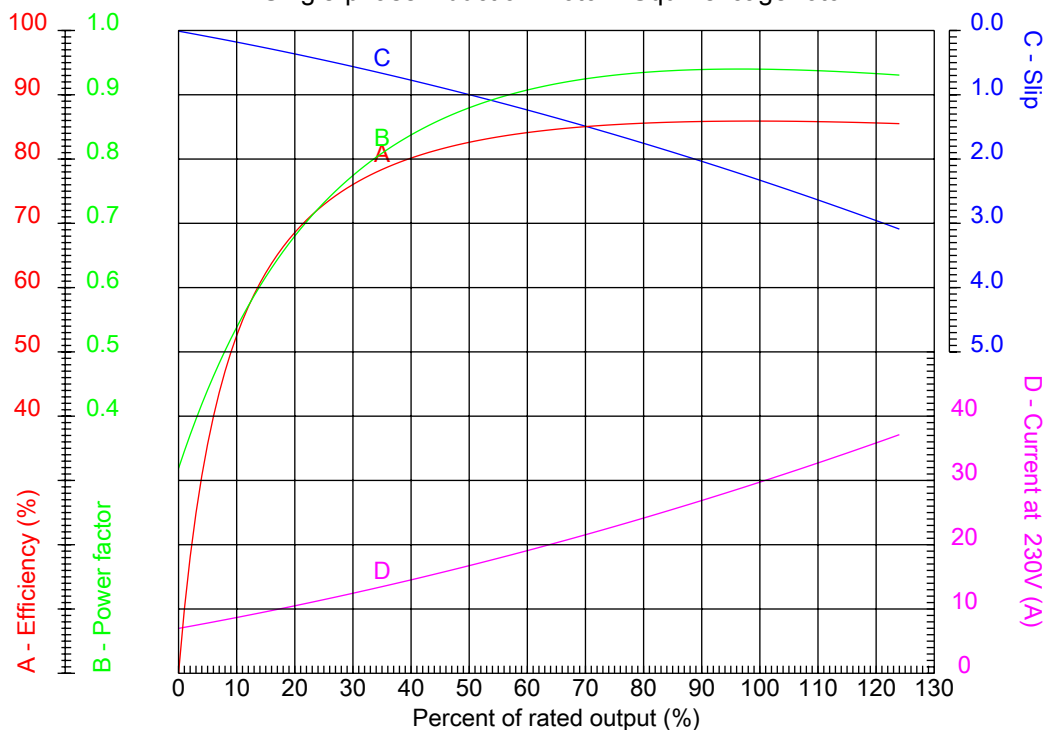
Dealers Industrial Equipment

No.:

Date: 13-SEP-2016

PERFORMANCE CURVES RELATED TO RATED OUTPUT

Single-phase induction motor - Squirrel cage rotor



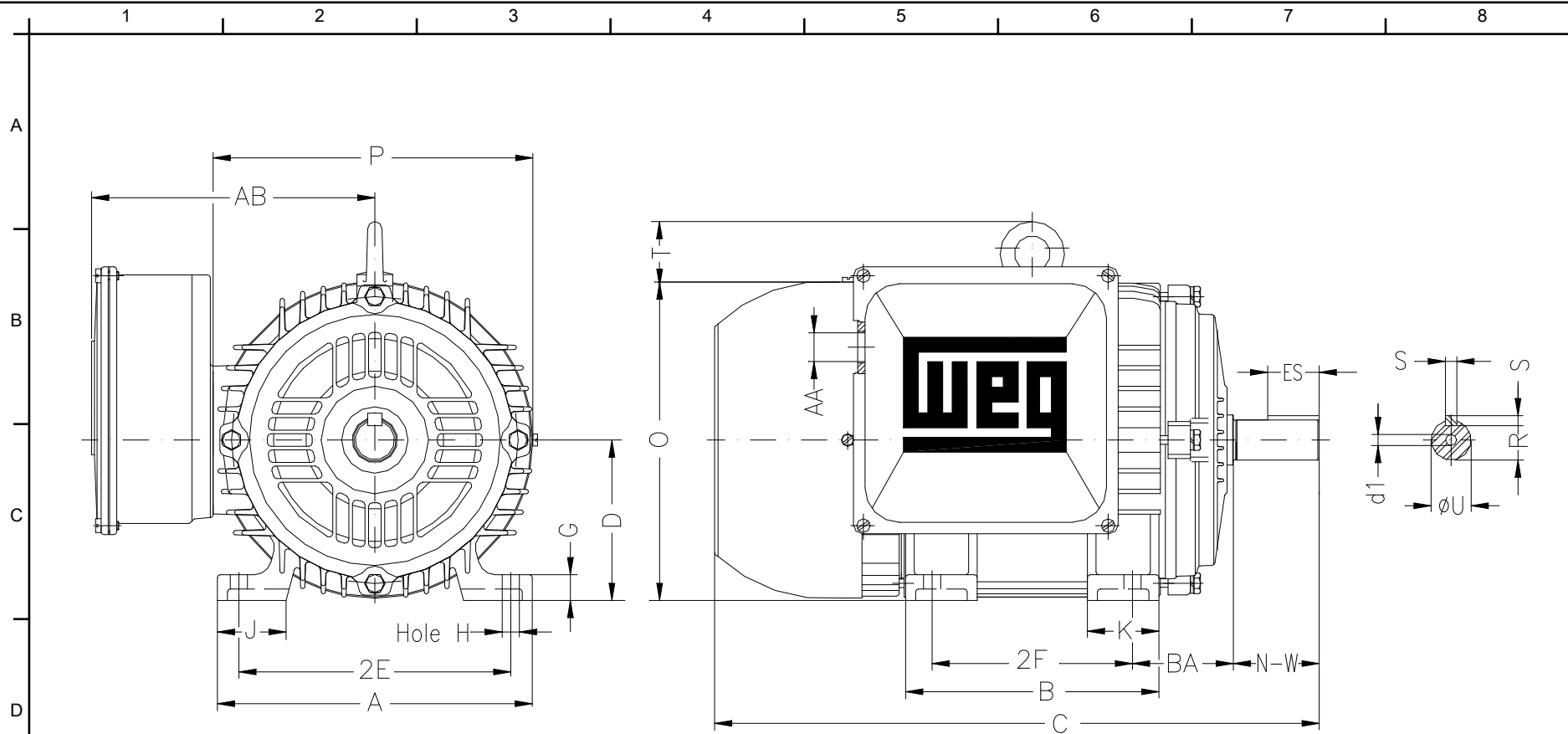
Customer :
 Product line : Single-Phase : W21 TEFC (IP55)

Frame	: 213T	Locked rotor current (I _L /I _n)	: 7.6
Output	: 7.5 HP	Duty cycle	: S1
Frequency	: 60 Hz	Service factor	: 1.15
Full load speed	: 3515 rpm	Design	: ---
Voltage	: 208-230/460 V	Locked rotor torque	: 180 %
Rated current	: 33.4-29.8/14.9 A	Breakdown torque	: 270 %
Insulation class	: F		

Notes:
 Downloaded from <http://dealerselectric.com>
 Generated for Model #00736ES1E213T

Performed by

Checked



Notes: Downloaded from <http://dealerselectric.com>
 Generated for Model #00736ES1E213T

Performed by:

Checked:

Customer:

Single-Phase : W21 TEFC (IP55)

Single-phase induction motor
 Frame 213T - IP55

13-SEP-2016



	2E 8.500	2F 5.500	H 0.406	BA 3.500	A 9.764
	B 7.362	C 18.021	D 5.250	G 0.827	J 2.008
F	K 2.165	O 10.841	P 10.630	ES 2.480	S 0.313
	N-W 3.375	U 1.375	R 1.203	AB 9.055	AA NPT 1"
	d1 A4				