



Dealers Industrial Equipment

No.:

Date: 13-SEP-2016

Customer :

TECHNICAL PROPOSAL

Single-phase induction motor - Squirrel cage rotor

Product line : Close Coupled Pump : Single-Phase - "JP" Type - TEFC - Standard Efficiency

Catalog Number : 00736ES1E213JP

List Price : \$1,641

Notes:

Downloaded from <http://dealerselectric.com>

Generated for Model #00736ES1E213JP

Performed by:

Checked:



Dealers Industrial Equipment

No.:

Date: 13-SEP-2016

DATA SHEET Single-phase induction motor - Squirrel cage rotor

Customer :
 Product line : Close Coupled Pump : Single-Phase - "JP" Type - TEFC - Standard Efficiency

Frame : 213JP
 Output : 7.5 HP
 Frequency : 60 Hz
 Poles : 2
 Full load speed : 3515 rpm
 Slip : 2.36 %
 Voltage : 208-230/460 V
 Rated current : 33.4-29.8/14.9 A
 Locked rotor current : 226/113 A
 Locked rotor current (I_L/I_n) : 7.6
 No-load current : 7.00/3.50 A
 Full load torque : 11.1 lb.ft
 Locked rotor torque : 180 %
 Breakdown torque : 270 %
 Design : ---
 Insulation class : B
 Temperature rise : 80 K
 Locked rotor time : 6 s (hot)
 Service factor : 1.15
 Duty cycle : S1
 Ambient temperature : -20°C - +40°C
 Altitude : 1000 m
 Degree of Protection : IP55
 Approximate weight : 143 lb
 Moment of inertia : 0.48623 sq.ft.lb
 Noise level : ---

	D.E.	N.D.E.
Bearings	6309 ZZ	6206 ZZ
Regreasing interval	---	---
Grease amount	---	---

Load	Power factor	Efficiency (%)
100%	0.94	86.0
75%	0.93	85.0
50%	0.88	83.0

Notes:
 Downloaded from <http://dealerselectric.com>
 Generated for Model #00736ES1E213JP

Performed by

Checked

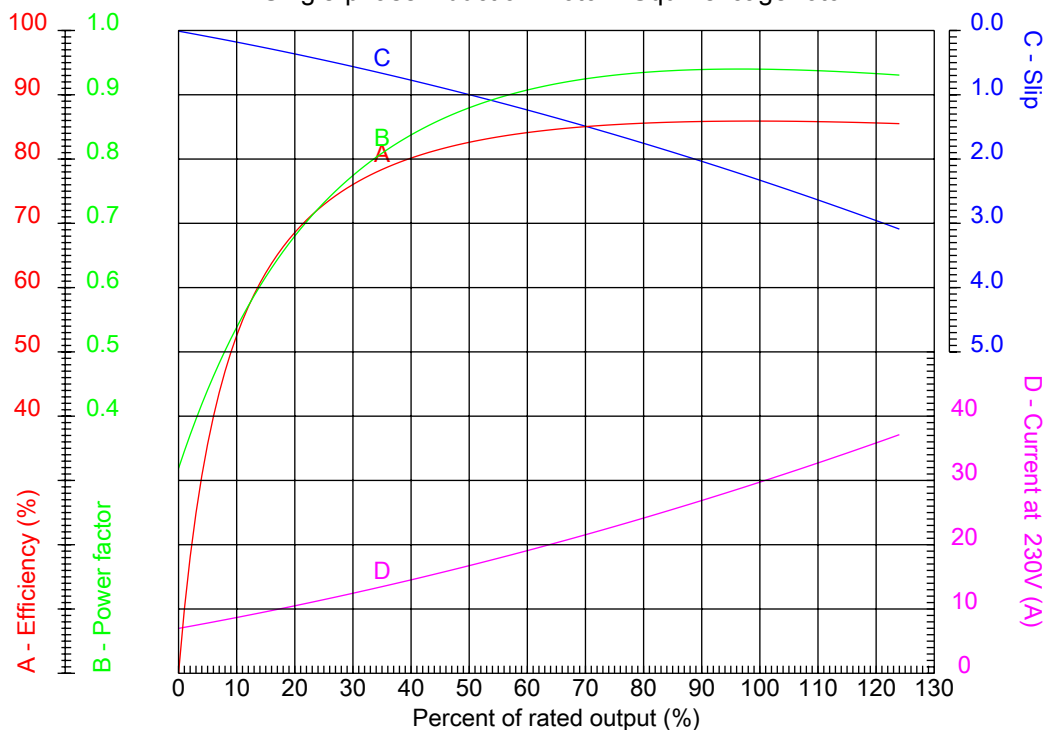


Dealers Industrial Equipment

No.:

Date: 13-SEP-2016

PERFORMANCE CURVES RELATED TO RATED OUTPUT Single-phase induction motor - Squirrel cage rotor



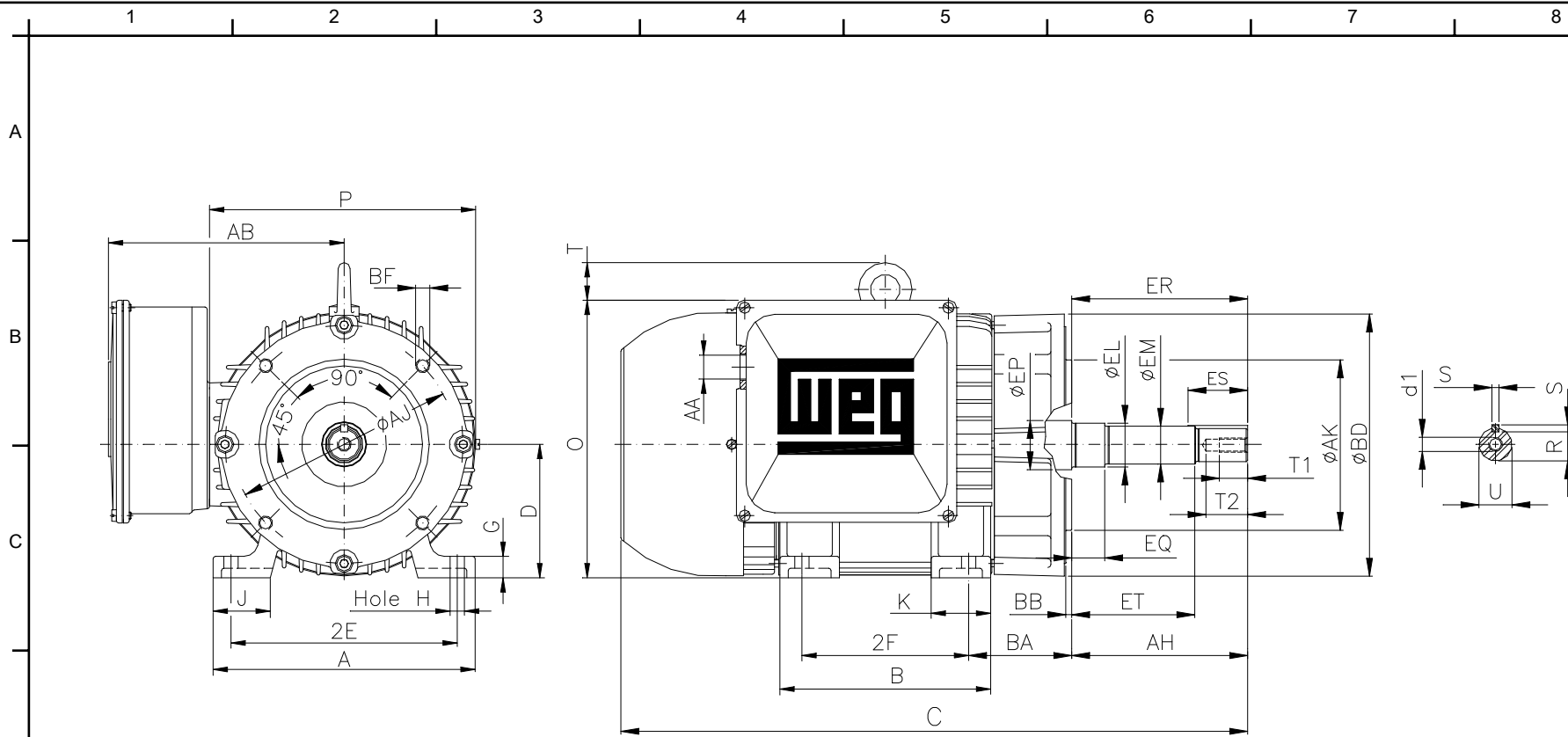
Customer :
Product line : Close Coupled Pump : Single-Phase - "JP" Type - TEFC - Standard Efficiency

Frame	: 213JP	Locked rotor current (I _L /I _n)	: 7.6
Output	: 7.5 HP	Duty cycle	: S1
Frequency	: 60 Hz	Service factor	: 1.15
Full load speed	: 3515 rpm	Design	: ---
Voltage	: 208-230/460 V	Locked rotor torque	: 180 %
Rated current	: 33.4-29.8/14.9 A	Breakdown torque	: 270 %
Insulation class	: B		

Notes:
Downloaded from <http://dealerselectric.com>
Generated for Model #00736ES1E213JP

Performed by

Checked



Notes: Downloaded from <http://dealerselectric.com>
 Generated for Model #00736ES1E213JP

2E	2F	H	BA	A
8.500	5.500	0.406	3.500	9.764
B	D	G	J	K
7.362	5.250	0.827	2.008	2.165
O	P	AB	AA	ER
10.841	10.630	8.071	NPT 1"	8.130
EQ	ET	U	EM	EL
2.382	5.886	1.249	1.375	1.750
EP	S	R	ES	d1
1.770	0.250	1.110	2.480	EUNC 1/2"-13
t1	t2	C	Flange	AJ
0.984	1.496	22.776	FC-184	7.252
AK	BD	BF	BB	AH
8.500	8.858	UNC 1/2"x13	0.248	8.130

Performed by:

Checked:

Customer:

Close Coupled Pump : Single-Phase - "JP" Type - TEFC - Standard Efficiency

Single-phase induction motor
 Frame 213JP - IP55

13-SEP-2016

