



# Dealers Industrial Equipment

No.:

Date: 13-SEP-2016

Customer :

## TECHNICAL PROPOSAL

### Three-phase induction motor - Squirrel cage rotor

Product line : Close Coupled Pump: Three-Phase - W22 "JM" Type - TEFC - High Efficiency

Catalog Number : 00736EP3E213JM-W22

List Price : \$>(discontinued)</span>

#### Notes:

Downloaded from <http://dealerselectric.com>

Generated for Model #00736EP3E213JM-W22

Performed by:

Checked:



# Dealers Industrial Equipment

No.:

Date: 13-SEP-2016

## DATA SHEET Three-phase induction motor - Squirrel cage rotor

Customer :  
 Product line : Close Coupled Pump: Three-Phase - W22 "JM" Type - TEFC - High Efficiency

Frame : 213JM  
 Output : 7.5 HP  
 Frequency : 60 Hz  
 Poles : 2  
 Full load speed : 3510 rpm  
 Slip : 2.50 %  
 Voltage : 230/460 V  
 Rated current : 17.7/8.86 A  
 Locked rotor current : 119/59.4 A  
 Locked rotor current (I<sub>L</sub>/I<sub>n</sub>) : 6.7  
 No-load current : 5.50/2.75 A  
 Full load torque : 11.1 lb.ft  
 Locked rotor torque : 210 %  
 Breakdown torque : 300 %  
 Design : B  
 Insulation class : F  
 Temperature rise : 80 K  
 Locked rotor time : 18 s (hot)  
 Service factor : 1.25  
 Duty cycle : S1  
 Ambient temperature : -20°C - +40°C  
 Altitude : 1000 m  
 Degree of Protection : IP55  
 Approximate weight : 128 lb  
 Moment of inertia : 0.38419 sq.ft.lb  
 Noise level : 72 dB(A)

|                     | D.E.      | N.D.E.  |
|---------------------|-----------|---------|
| Bearings            | 6309 Z-C3 | 6207 ZZ |
| Regreasing interval | 19000 h   | ---     |
| Grease amount       | 13 g      | ---     |

| Load | Power factor | Efficiency (%) |
|------|--------------|----------------|
| 100% | 0.88         | 88.5           |
| 75%  | 0.84         | 88.5           |
| 50%  | 0.75         | 87.5           |

Notes:  
 Downloaded from <http://dealerselectric.com>  
 Generated for Model #00736EP3E213JM-W22

Performed by

Checked



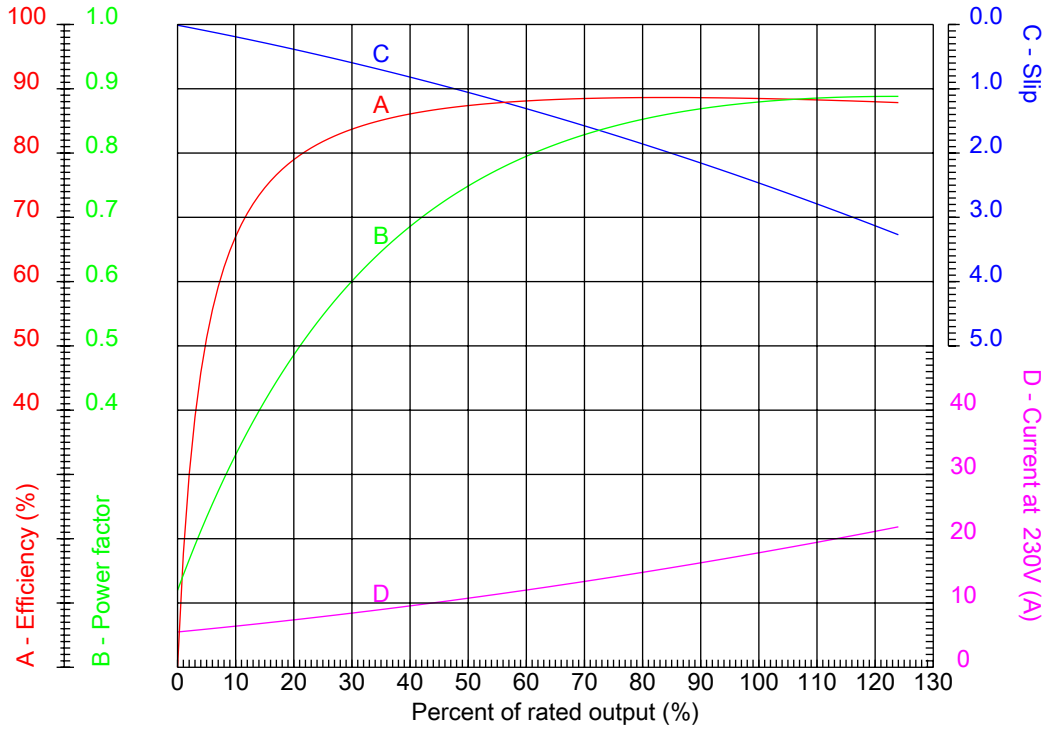
# Dealers Industrial Equipment

No.:

Date: 13-SEP-2016

## PERFORMANCE CURVES RELATED TO RATED OUTPUT

Three-phase induction motor - Squirrel cage rotor



Customer :  
 Product line : Close Coupled Pump: Three-Phase - W22 "JM" Type - TEFC - High Efficiency

|                  |               |  |         |
|------------------|---------------|--|---------|
| Frame            | : 213JM       | Locked rotor current (I <sub>l</sub> /I <sub>n</sub> ) | : 6.7   |
| Output           | : 7.5 HP      | Duty cycle   | : S1    |
| Frequency        | : 60 Hz       | Service factor   | : 1.25  |
| Full load speed  | : 3510 rpm    | Design   | : B     |
| Voltage          | : 230/460 V   | Locked rotor torque                                    | : 210 % |
| Rated current    | : 17.7/8.86 A | Breakdown torque                                       | : 300 % |
| Insulation class | : F           |  |         |

Notes:  
 Downloaded from <http://dealerselectric.com>  
 Generated for Model #00736EP3E213JM-W22

Performed by

Checked



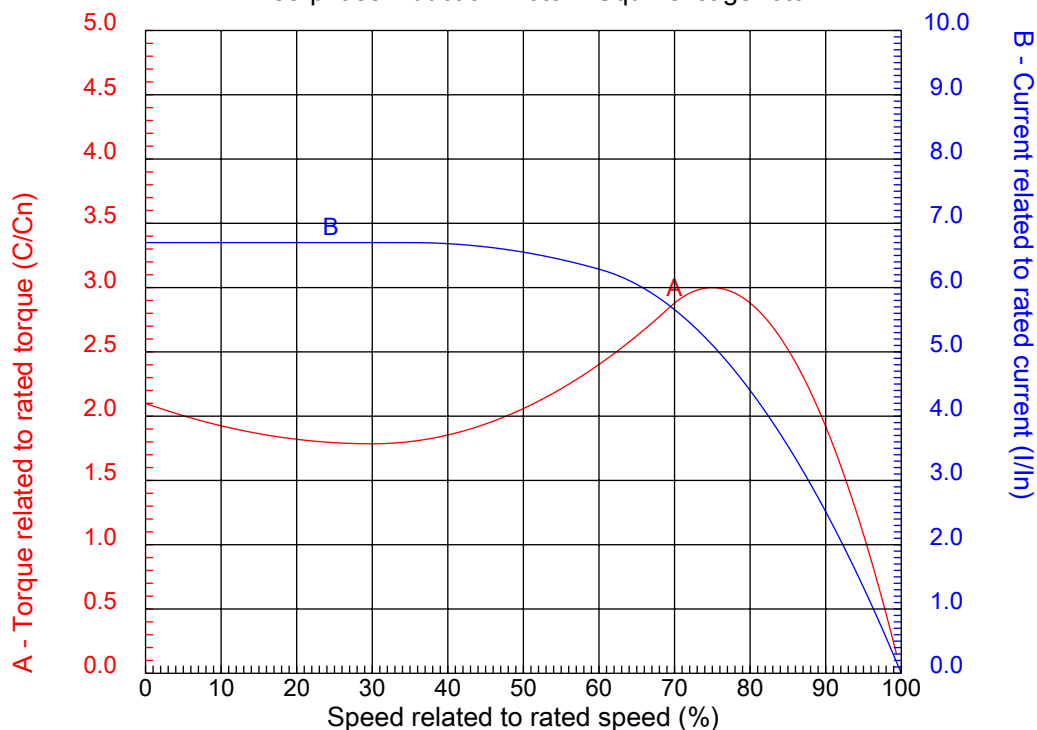
# Dealers Industrial Equipment

No.:

Date: 13-SEP-2016

## CHARACTERISTIC CURVES RELATED TO SPEED

Three-phase induction motor - Squirrel cage rotor



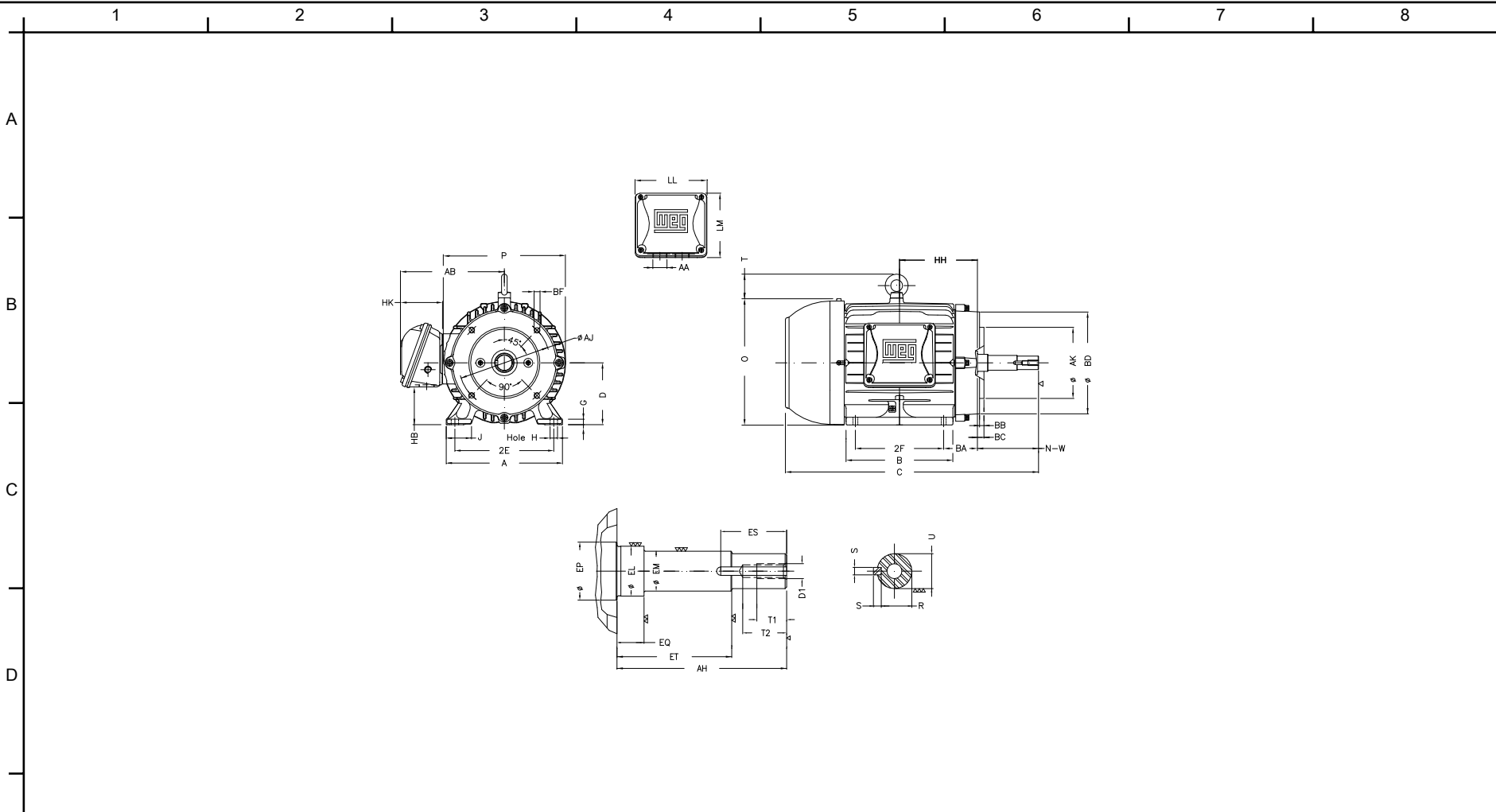
Customer :  
Product line : Close Coupled Pump: Three-Phase - W22 "JM" Type - TEFC - High Efficiency

|                  |               |  |         |
|------------------|---------------|--|---------|
| Frame            | : 213JM       | Locked rotor current (I <sub>l</sub> /I <sub>n</sub> ) | : 6.7   |
| Output           | : 7.5 HP      | Duty cycle   | : S1    |
| Frequency        | : 60 Hz       | Service factor   | : 1.25  |
| Full load speed  | : 3510 rpm    | Design   | : B     |
| Voltage          | : 230/460 V   | Locked rotor torque                                    | : 210 % |
| Rated current    | : 17.7/8.86 A | Breakdown torque                                       | : 300 % |
| Insulation class | : F           |  |         |

Notes:  
Downloaded from <http://dealerselectric.com>  
Generated for Model #00736EP3E213JM-W22

Performed by

Checked



Notes: Downloaded from <http://dealerselectric.com>  
 Generated for Model #00736EP3E213JM-W22

|              |        |             |        |        |
|--------------|--------|-------------|--------|--------|
| 2E           | J      | A           | P      | AB     |
| 8.500        | 1.772  | 9.764       | 10.669 | 8.583  |
| 2F           | K      | B           | BA     | D      |
| 5.500        | 2.165  | 7.362       | 3.500  | 5.250  |
| G            | O      | T           | H      | AA     |
| 0.669        | 10.841 | 1.772       | 0.406  | NPT 1" |
| EQ           | ET     | U           | EM     | EL     |
| 0.630        | 2.880  | 0.874       | 1.000  | 1.250  |
| EP           | ES     | t1          | t2     | C      |
| 1.770        | 1.575  | 0.748       | 1.102  | 18.931 |
| d1           | HH     | HK          | HB     | LL     |
| EUNC 3/8"-16 | 6.250  | 3.150       | 2.985  | 5.512  |
| LM           | S      | R           | Flange | AJ     |
| 5.236        | 0.187  | 0.768       | FC-184 | 7.252  |
| AK           | BD     | BF          | BB     | AH     |
| 8.500        | 8.858  | UNC 1/2"x13 | 0.248  | 4.258  |

Performed by:

Checked:

Customer:

Close Coupled Pump: Three-Phase - W22 "JM" Type - TEFC - High Efficiency

Three-phase induction motor  
 Frame 213JM - IP55

13-SEP-2016

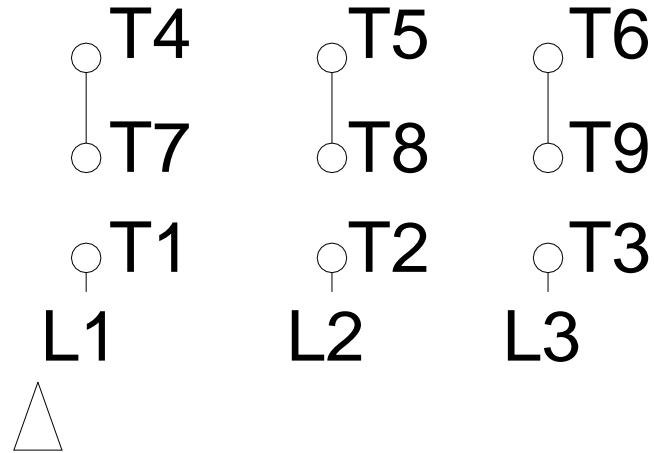
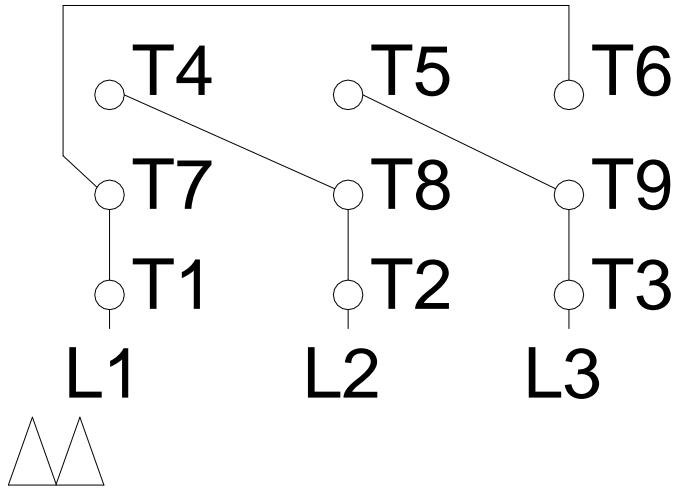


1 2 3 4 5 6 7 8

# LOW VOLTAGE

# HIGH VOLTAGE

A  
B  
C  
D  
E  
F



Notes: Downloaded from <http://dealerselectric.com>  
 Generated for Model #00736EP3E213JM-W22

Performed by:

Checked:

Customer:

Close Coupled Pump: Three-Phase - W22 "JM" Type - TEFC - High Efficiency

Three-phase induction motor  
 Frame 213JM - IP55

13-SEP-2016

