



Dealers Industrial Equipment

No.:

Date: 13-SEP-2016

Customer :

TECHNICAL PROPOSAL

Three-phase induction motor - Squirrel cage rotor

Product line : Close Coupled Pump: Three-Phase - W22 "JP" Type - TEFC - High Efficiency

Catalog Number : 00736EP3E184JP-W22

List Price : \$>(discontinued)

Notes:

Downloaded from <http://dealerselectric.com>

Generated for Model #00736EP3E184JP-W22

Performed by:

Checked:



Dealers Industrial Equipment

No.:

Date: 13-SEP-2016

DATA SHEET Three-phase induction motor - Squirrel cage rotor

Customer :
 Product line : Close Coupled Pump: Three-Phase - W22 "JP" Type - TEFC - High Efficiency

Frame : 184JP
 Output : 7.5 HP
 Frequency : 60 Hz
 Poles : 2
 Full load speed : 3470 rpm
 Slip : 3.61 %
 Voltage : 230/460 V
 Rated current : 17.0/8.48 A
 Locked rotor current : 122/61.1 A
 Locked rotor current (I_L/I_n) : 7.2
 No-load current : 4.20/2.10 A
 Full load torque : 11.2 lb.ft
 Locked rotor torque : 220 %
 Breakdown torque : 290 %
 Design : B
 Insulation class : F
 Temperature rise : 80 K
 Locked rotor time : 16 s (hot)
 Service factor : 1.15
 Duty cycle : S1
 Ambient temperature : -20°C - +40°C
 Altitude : 1000 m
 Degree of Protection : IP55
 Approximate weight : 93 lb
 Moment of inertia : 0.22876 sq.ft.lb
 Noise level : 69 dB(A)

	D.E.	N.D.E.
Bearings	6307 ZZ	6206 ZZ
Regreasing interval	---	---
Grease amount	---	---

Load	Power factor	Efficiency (%)
100%	0.92	88.5
75%	0.90	88.5
50%	0.85	87.5

Notes:
 Downloaded from <http://dealerselectric.com>
 Generated for Model #00736EP3E184JP-W22

Performed by

Checked



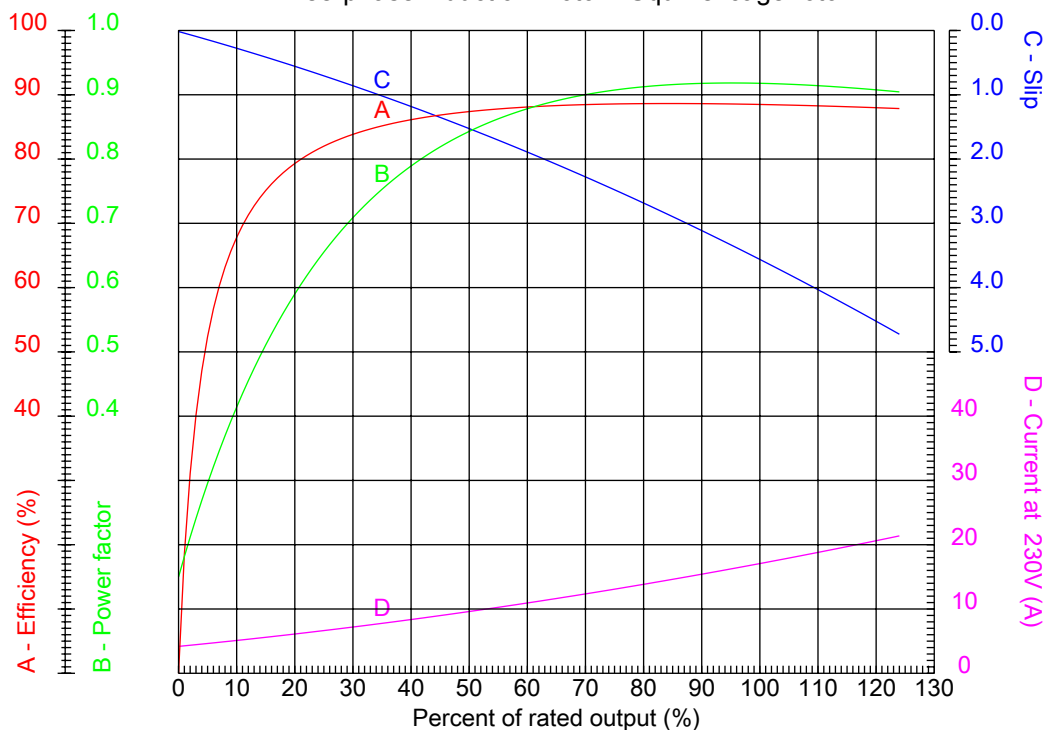
Dealers Industrial Equipment

No.:

Date: 13-SEP-2016

PERFORMANCE CURVES RELATED TO RATED OUTPUT

Three-phase induction motor - Squirrel cage rotor



Customer :
 Product line : Close Coupled Pump: Three-Phase - W22 "JP" Type - TEFC - High Efficiency

Frame	: 184JP	Locked rotor current (I _l /I _n)	: 7.2
Output	: 7.5 HP	Duty cycle	: S1
Frequency	: 60 Hz	Service factor	: 1.15
Full load speed	: 3470 rpm	Design	: B
Voltage	: 230/460 V	Locked rotor torque	: 220 %
Rated current	: 17.0/8.48 A	Breakdown torque	: 290 %
Insulation class	: F		

Notes:
 Downloaded from <http://dealerselectric.com>
 Generated for Model #00736EP3E184JP-W22

Performed by

Checked



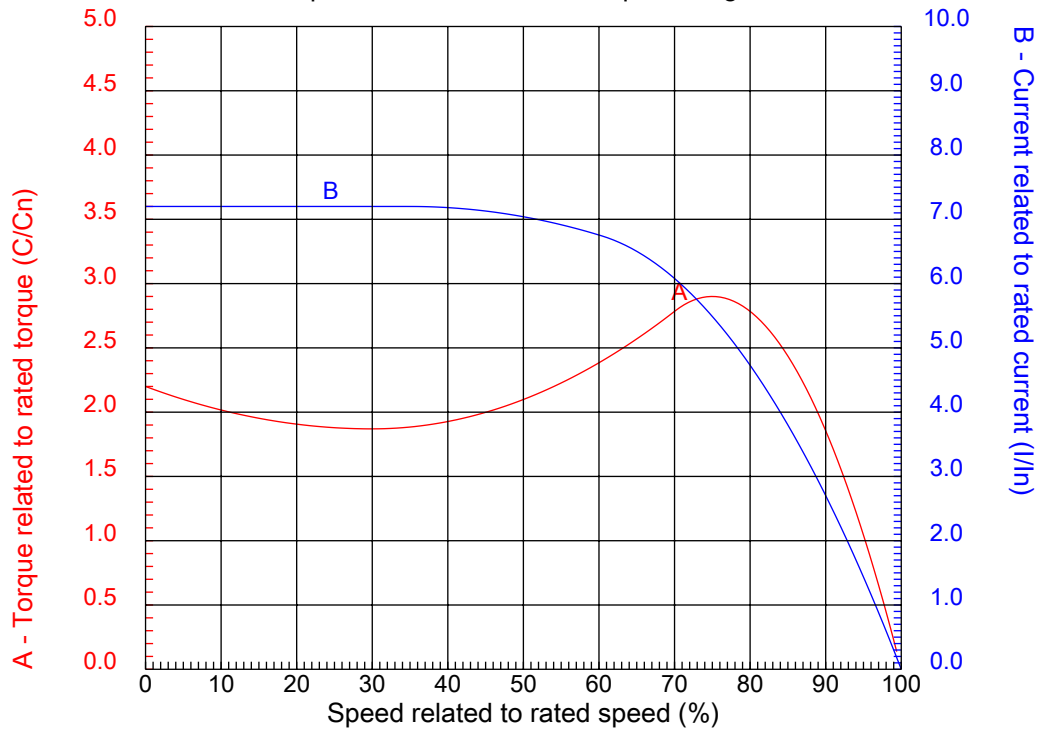
Dealers Industrial Equipment

No.:

Date: 13-SEP-2016

CHARACTERISTIC CURVES RELATED TO SPEED

Three-phase induction motor - Squirrel cage rotor



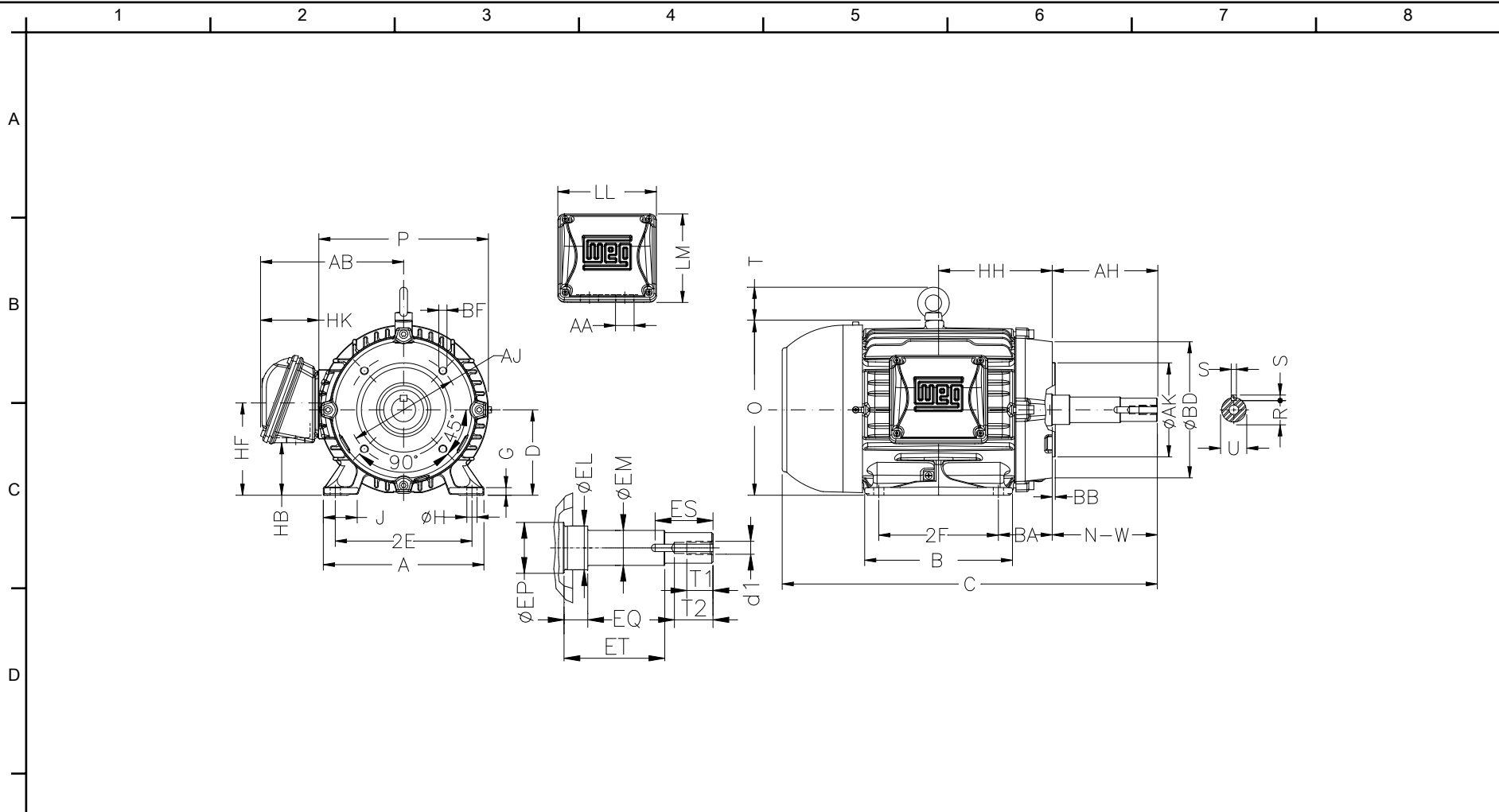
Customer :
Product line : Close Coupled Pump: Three-Phase - W22 "JP" Type - TEFC - High Efficiency

Frame	: 184JP	Locked rotor current (I _l /I _n)	: 7.2
Output	: 7.5 HP	Duty cycle	: S1
Frequency	: 60 Hz	Service factor	: 1.15
Full load speed	: 3470 rpm	Design	: B
Voltage	: 230/460 V	Locked rotor torque	: 220 %
Rated current	: 17.0/8.48 A	Breakdown torque	: 290 %
Insulation class	: F		

Notes:
Downloaded from <http://dealerselectric.com>
Generated for Model #00736EP3E184JP-W22

Performed by

Checked



Notes: Downloaded from <http://dealerselectric.com>
 Generated for Model #00736EP3E184JP-W22

2E	J	A	P	AB
7.500	1.594	8.661	8.740	7.559
2F	B	BA	D	G
5.500	6.969	2.756	4.500	0.394
O	T	H	AA	EQ
9.343	1.772	0.406	NPT 1"	1.563
ET	U	EM	EL	EP
5.941	0.874	1.000	1.250	1.376
ES	t1	t2	C	d1
1.654	0.748	1.102	20.395	EUNC 3/8"-16
HH	HK	HB	LL	LM
5.500	3.110	2.236	5.512	5.236
S	R	Flange	AJ	AK
0.187	0.768	FC-149	5.874	4.500
BD	BF	BB	AH	
6.496	UNC 3/8"x16	0.157	7.319	

Performed by:

Checked:

Customer:

Close Coupled Pump: Three-Phase - W22 "JP" Type - TEFC - High Efficiency

Three-phase induction motor
 Frame 184JP - IP55

13-SEP-2016

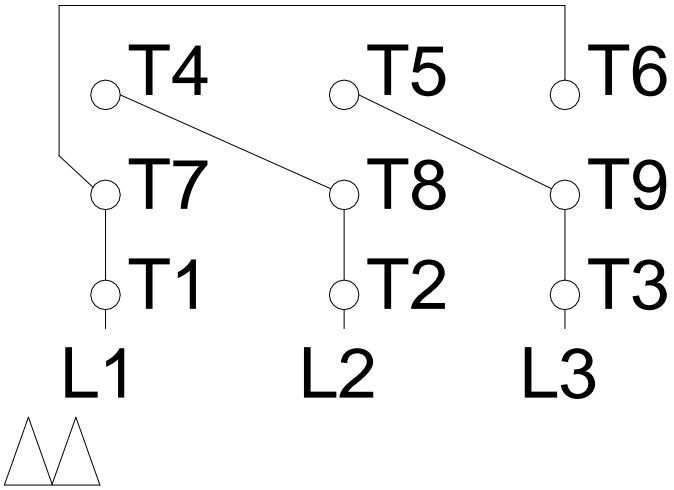


1 2 3 4 5 6 7 8

LOW VOLTAGE

HIGH VOLTAGE

A
B
C
D
E
F



Notes: Downloaded from http://dealerselectric.com Generated for Model #00736EP3E184JP-W22		
Performed by:		
Checked:		
Customer:		
Close Coupled Pump: Three-Phase - W22 "JP" Type - TEFC - High Efficiency		
Three-phase induction motor Frame 184JP - IP55	13-SEP-2016	