



Dealers Industrial Equipment

No.:

Date: 13-SEP-2016

Customer :

TECHNICAL PROPOSAL

Three-phase induction motor - Squirrel cage rotor

Product line : Close Coupled Pump: Three-Phase - W22 "JM" Type - TEFC - High Efficiency

Catalog Number : 00736EP3E184JM-W22

List Price : \$>(discontinued)

Notes:

Downloaded from <http://dealerselectric.com>

Generated for Model #00736EP3E184JM-W22

Performed by:

Checked:



Dealers Industrial Equipment

No.:

Date: 13-SEP-2016

DATA SHEET Three-phase induction motor - Squirrel cage rotor

Customer :
 Product line : Close Coupled Pump: Three-Phase - W22 "JM" Type - TEFC - High Efficiency

Frame : 182/4JM
 Output : 7.5 HP
 Frequency : 60 Hz
 Poles : 2
 Full load speed : 3470 rpm
 Slip : 3.61 %
 Voltage : 208-230/460 V
 Rated current : 18.8-17.0/8.48 A
 Locked rotor current : 122/61.1 A
 Locked rotor current (I_L/I_n) : 7.2
 No-load current : 6.30/3.15 A
 Full load torque : 11.2 lb.ft
 Locked rotor torque : 220 %
 Breakdown torque : 290 %
 Design : B
 Insulation class : F
 Temperature rise : 80 K
 Locked rotor time : 16 s (hot)
 Service factor : 1.15
 Duty cycle : S1
 Ambient temperature : -20°C - +40°C
 Altitude : 1000 m
 Degree of Protection : IP55
 Approximate weight : 93 lb
 Moment of inertia : 0.22876 sq.ft.lb
 Noise level : 69 dB(A)

	D.E.	N.D.E.
Bearings	6307 ZZ	6206 ZZ
Regreasing interval	---	---
Grease amount	---	---

Load	Power factor	Efficiency (%)
100%	0.90	88.5
75%	0.88	88.5
50%	0.83	87.5

Notes:
 Downloaded from <http://dealerselectric.com>
 Generated for Model #00736EP3E184JM-W22

Performed by

Checked



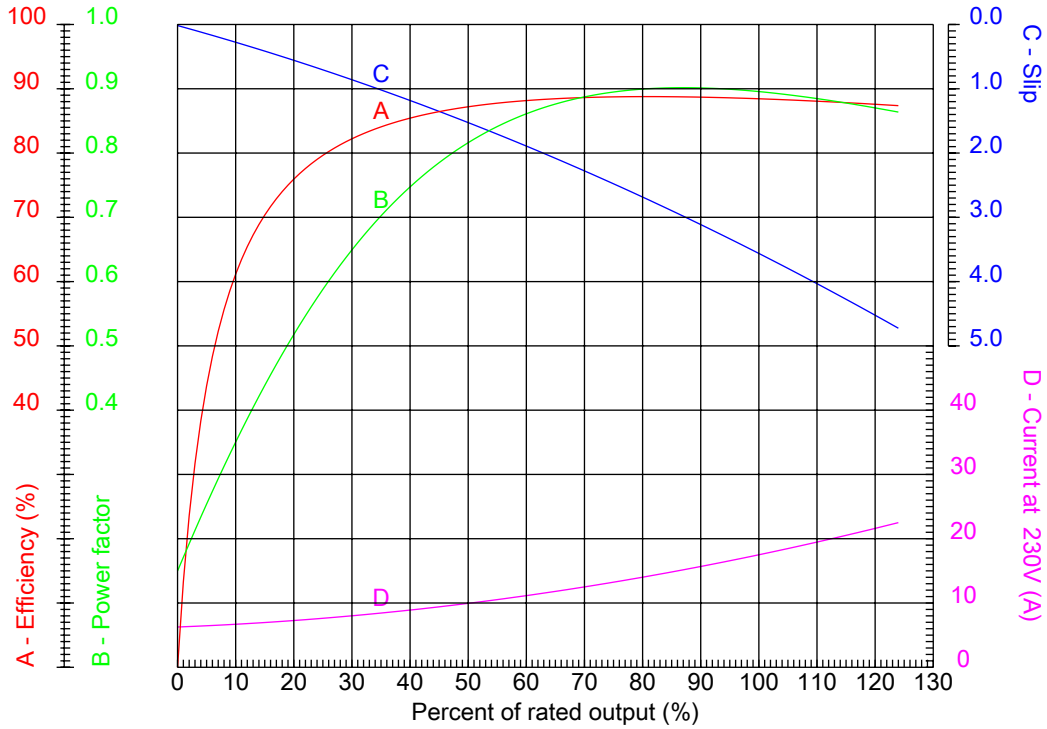
Dealers Industrial Equipment

No.:

Date: 13-SEP-2016

PERFORMANCE CURVES RELATED TO RATED OUTPUT

Three-phase induction motor - Squirrel cage rotor



Customer :
 Product line : Close Coupled Pump: Three-Phase - W22 "JM" Type - TEFC - High Efficiency

Frame	: 182/4JM	Locked rotor current (I _l /I _n)	: 7.2
Output	: 7.5 HP	Duty cycle	: S1
Frequency	: 60 Hz	Service factor	: 1.15
Full load speed	: 3470 rpm	Design	: B
Voltage	: 208-230/460 V	Locked rotor torque	: 220 %
Rated current	: 18.8-17.0/8.48 A	Breakdown torque	: 290 %
Insulation class	: F		

Notes:
 Downloaded from <http://dealerselectric.com>
 Generated for Model #00736EP3E184JM-W22

Performed by

Checked



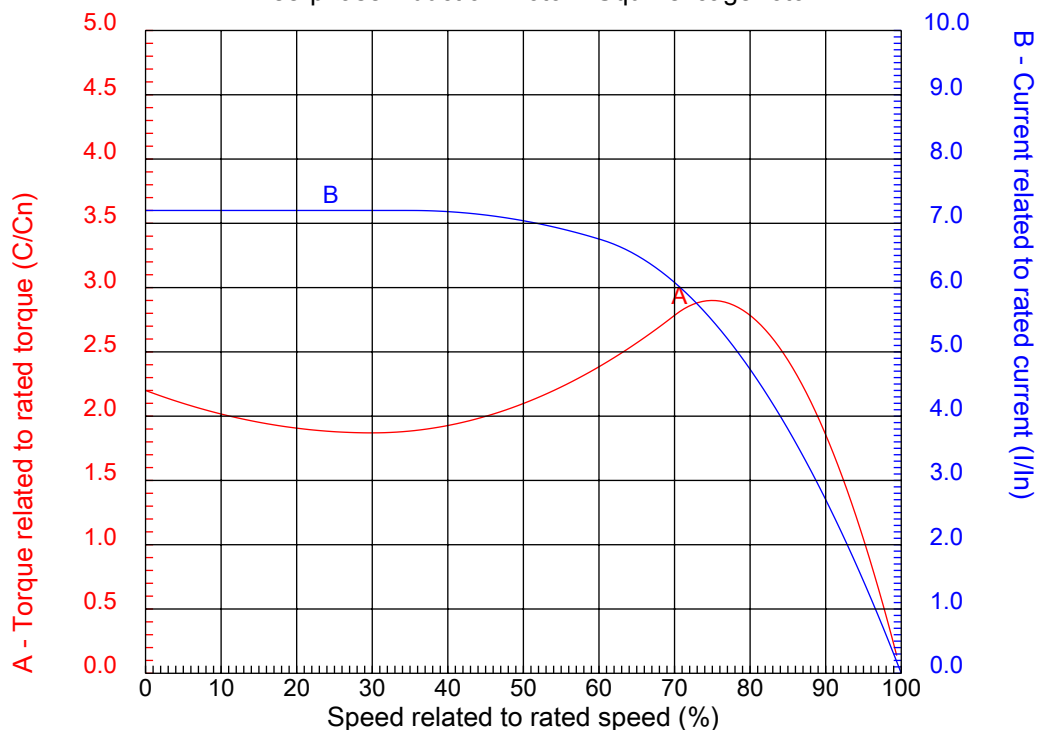
Dealers Industrial Equipment

No.:

Date: 13-SEP-2016

CHARACTERISTIC CURVES RELATED TO SPEED

Three-phase induction motor - Squirrel cage rotor



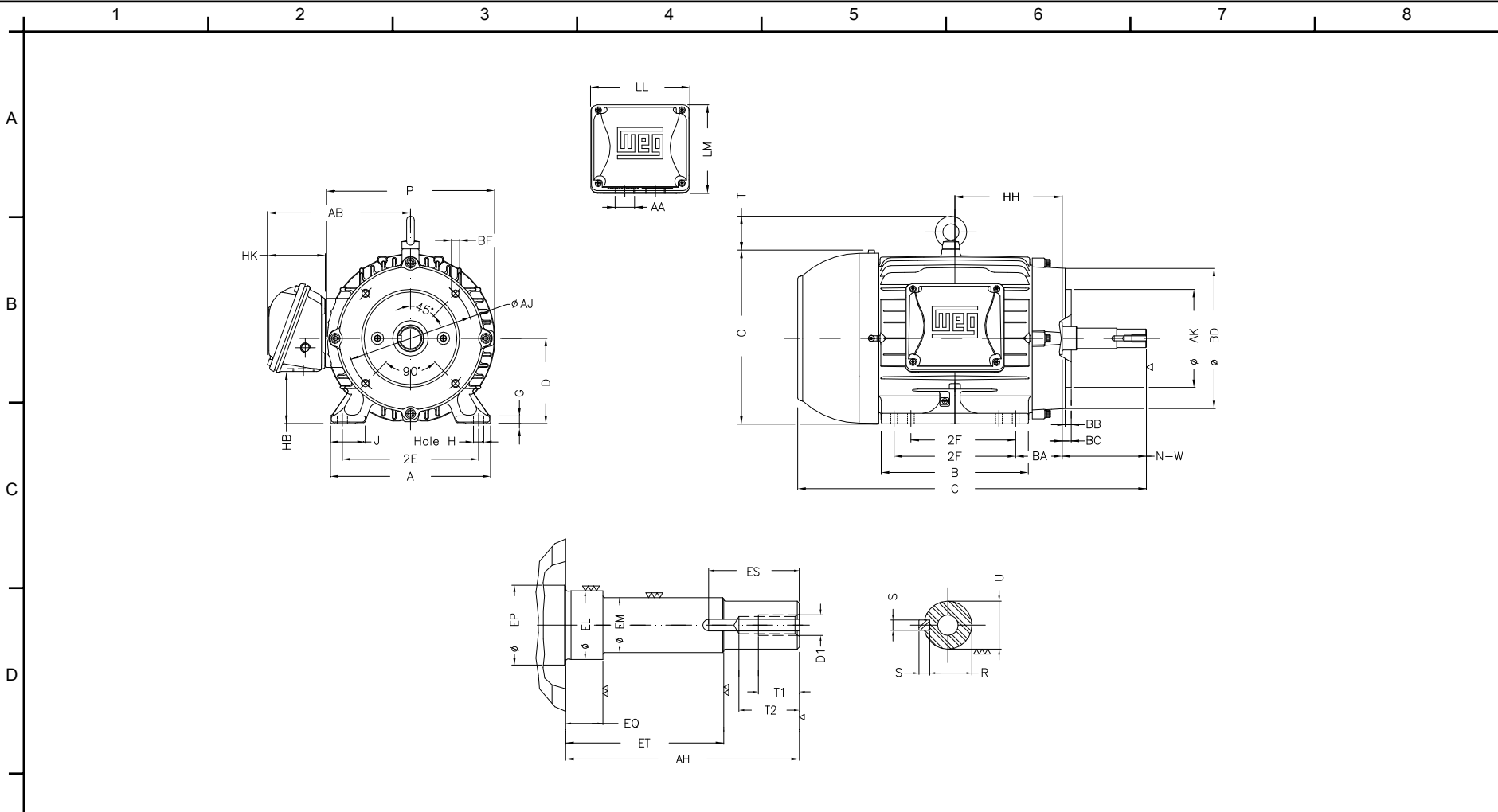
Customer	:	
Product line	:	Close Coupled Pump: Three-Phase - W22 "JM" Type - TEFC - High Efficiency

Frame	:	182/4JM	Locked rotor current (I _l /I _n)	:	7.2
Output	:	7.5 HP	Duty cycle	:	S1
Frequency	:	60 Hz	Service factor	:	1.15
Full load speed	:	3470 rpm	Design	:	B
Voltage	:	208-230/460 V	Locked rotor torque	:	220 %
Rated current	:	18.8-17.0/8.48 A	Breakdown torque	:	290 %
Insulation class	:	F			

Notes:
 Downloaded from <http://dealerselectric.com>
 Generated for Model #00736EP3E184JM-W22

Performed by

Checked



Notes: Downloaded from <http://dealerselectric.com>
 Generated for Model #00736EP3E184JM-W22

E	2E 7.500	J 1.614	A 8.661	P 8.740	AB 7.565
	2F 4.500/5.500	B 6.969	BA 2.750	D 4.500	G 0.394
	O 9.343	T 1.772	H 0.406	AA NPT 1"	EQ 0.630
	ET 2.880	U 0.874	EM 1.000	EL 1.250	EP 1.376
	ES 1.575	t1 0.748	t2 1.102	C 17.411	d1 EUNC 3/8"-16
F	HH 5.500	HK 3.150	HB 2.236	LL 5.512	LM 5.236
	S 0.187	R 0.768	Flange FC-149	AJ 5.874	AK 4.500
	BD 6.496	BF UNC 3/8"x16	BB 0.157	AH 4.258	

Performed by:

Checked:

Customer:

Close Coupled Pump: Three-Phase - W22 "JM" Type - TEFC - High Efficiency

Three-phase induction motor
 Frame 182/4JM - IP55

13-SEP-2016



1 2 3 4 5 6 7 8

LOW VOLTAGE

HIGH VOLTAGE

A
B
C
D
E
F



Notes: Downloaded from <http://dealerselectric.com>
 Generated for Model #00736EP3E184JM-W22

Performed by:

Checked:

Customer:

Close Coupled Pump: Three-Phase - W22 "JM" Type - TEFC - High Efficiency

Three-phase induction motor
 Frame 182/4JM - IP55

13-SEP-2016

