



Dealers Industrial Equipment

No.:

Date: 13-SEP-2016

Customer :

TECHNICAL PROPOSAL

Three-phase induction motor - Squirrel cage rotor

Product line : W22 Super Premium

Catalog Number : 00736EG3E213T-W22

List Price : \$1,238

Notes:

Downloaded from <http://dealerselectric.com>

Generated for Model #00736EG3E213T-W22

Performed by:

Checked:



Dealers Industrial Equipment

No.:

Date: 13-SEP-2016

DATA SHEET Three-phase induction motor - Squirrel cage rotor

Customer :
 Product line : W22 Super Premium

Frame : 213/5T
 Output : 7.5 HP
 Frequency : 60 Hz
 Poles : 2
 Full load speed : 3530 rpm
 Slip : 1.94 %
 Voltage : 208-230/460 V
 Rated current : 19.5-17.6/8.82 A
 Locked rotor current : 134/67.0 A
 Locked rotor current (I_L/I_n) : 7.6
 No-load current : 7.20/3.60 A
 Full load torque : 11.0 lb.ft
 Locked rotor torque : 230 %
 Breakdown torque : 330 %
 Design : A
 Insulation class : F
 Temperature rise : 80 K
 Locked rotor time : 37 s (hot)
 Service factor : 1.25
 Duty cycle : S1
 Ambient temperature : -20°C - +40°C
 Altitude : 1000 m
 Degree of Protection : IP55
 Approximate weight : 141 lb
 Moment of inertia : 0.55125 sq.ft.lb
 Noise level : 72 dB(A)

	D.E.	N.D.E.
Bearings	6308 ZZ	6207 ZZ
Regreasing interval	---	---
Grease amount	---	---

Load	Power factor	Efficiency (%)
100%	0.86	91.0
75%	0.82	89.5
50%	0.73	87.5

Notes:
 Downloaded from <http://dealerselectric.com>
 Generated for Model #00736EG3E213T-W22

Performed by

Checked



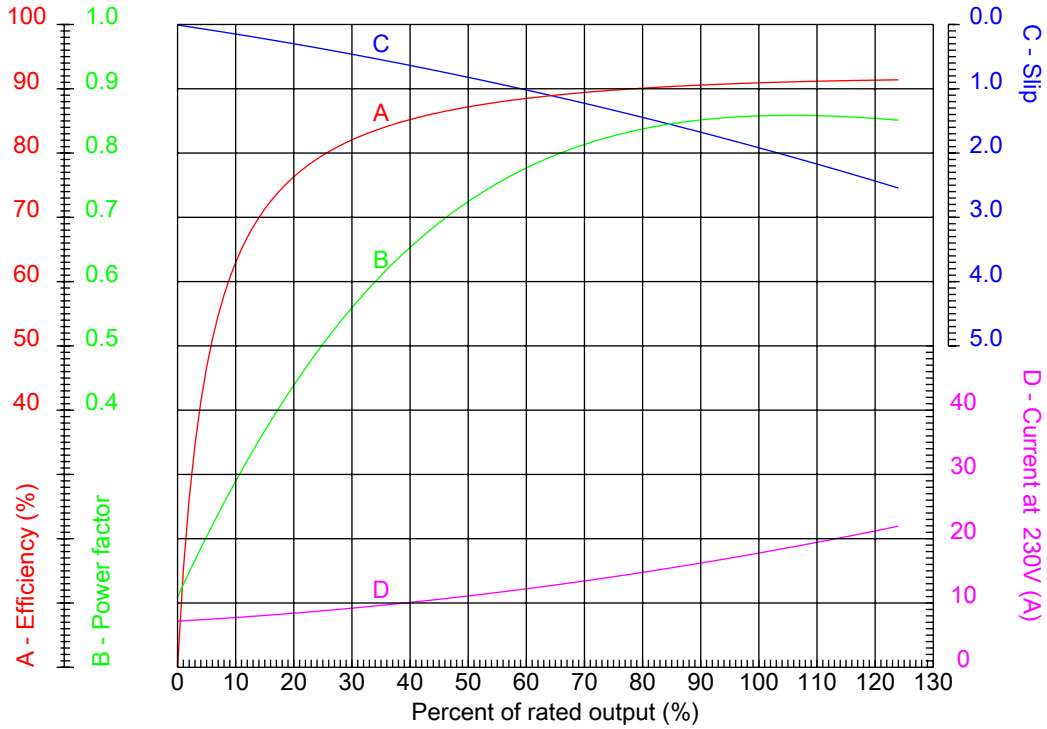
Dealers Industrial Equipment

No.:

Date: 13-SEP-2016

PERFORMANCE CURVES RELATED TO RATED OUTPUT

Three-phase induction motor - Squirrel cage rotor



Customer :
 Product line : W22 Super Premium

Frame : 213/5T	Locked rotor current (I _l /I _n) : 7.6
Output : 7.5 HP	Duty cycle : S1
Frequency : 60 Hz	Service factor : 1.25
Full load speed : 3530 rpm	Design : A
Voltage : 208-230/460 V	Locked rotor torque : 230 %
Rated current : 19.5-17.6/8.82 A	Breakdown torque : 330 %
Insulation class : F	

Notes:
 Downloaded from <http://dealerselectric.com>
 Generated for Model #00736EG3E213T-W22

Performed by

Checked



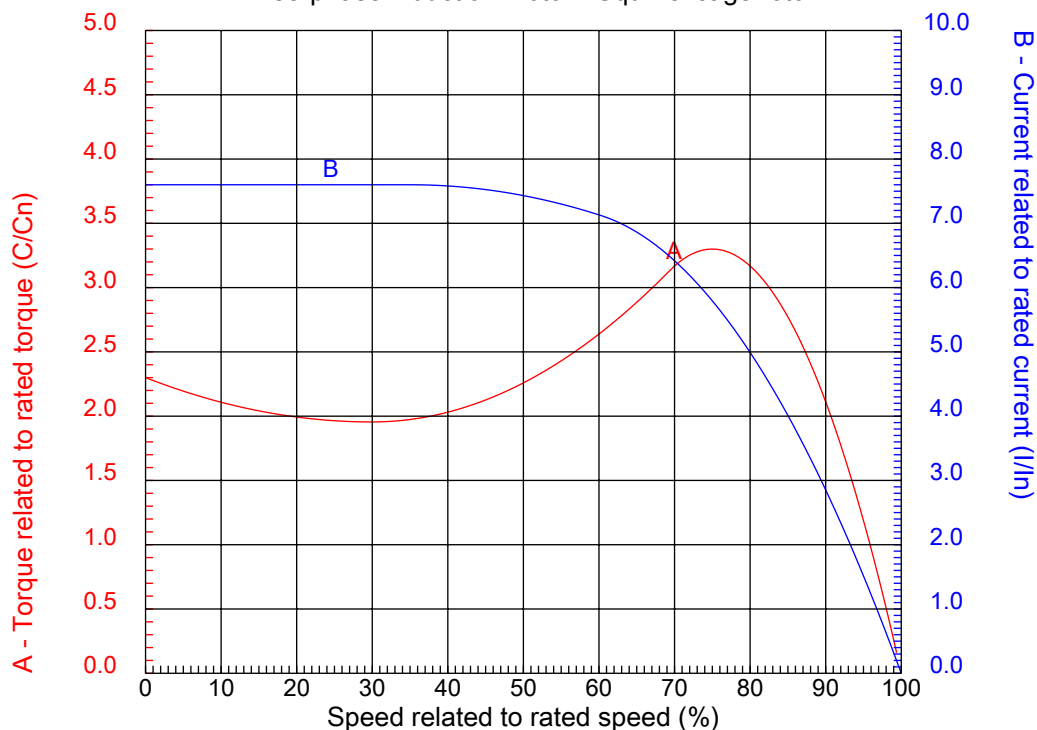
Dealers Industrial Equipment

No.:

Date: 13-SEP-2016

CHARACTERISTIC CURVES RELATED TO SPEED

Three-phase induction motor - Squirrel cage rotor



Customer :
Product line : W22 Super Premium

Frame	: 213/5T	Locked rotor current (I _l /I _n)	: 7.6
Output	: 7.5 HP	Duty cycle	: S1
Frequency	: 60 Hz	Service factor	: 1.25
Full load speed	: 3530 rpm	Design	: A
Voltage	: 208-230/460 V	Locked rotor torque	: 230 %
Rated current	: 19.5-17.6/8.82 A	Breakdown torque	: 330 %
Insulation class	: F		

Notes:
Downloaded from <http://dealerselectric.com>
Generated for Model #00736EG3E213T-W22

Performed by

Checked

1 2 3 4 5 6 7 8

A

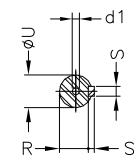
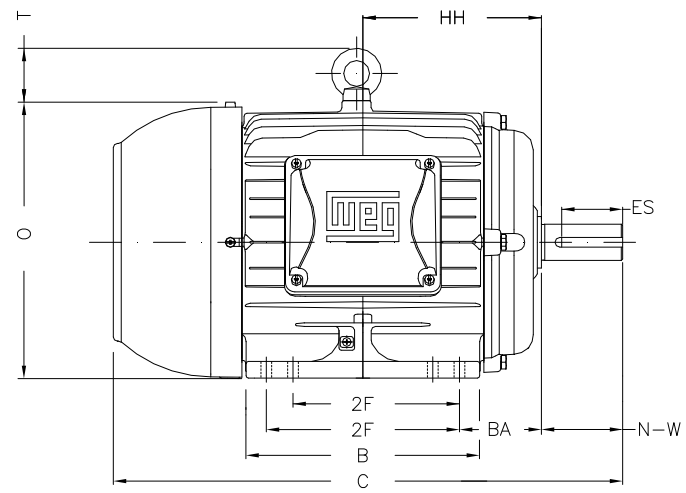
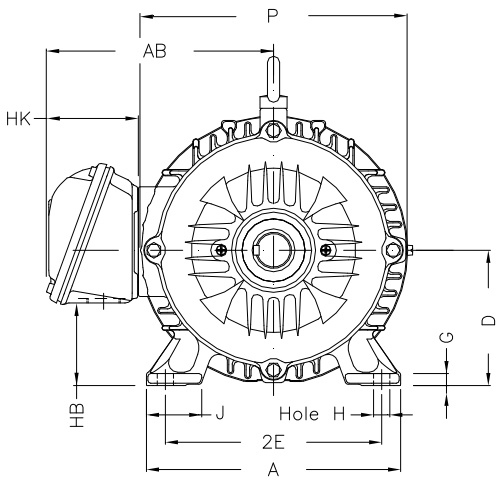
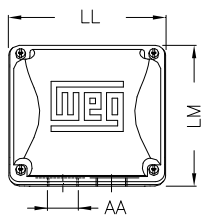
B

C

D

E

F



Notes: Downloaded from <http://dealerselectric.com>
Generated for Model #00736EG3E213T-W22

Performed by:

Checked:

Customer:

W22 Super Premium

Three-phase induction motor
Frame 213/5T - IP55

13-SEP-2016



2E 8.500	J 1.772	A 9.764	P 10.669	AB 8.583
2F 5.500/7.000	K 2.165	B 8.858	BA 3.500	FBA 5.921
U 1.375	N-W 3.375	ES 2.480	S 0.313	R 1.203
depth 0.313	D 5.250	G 0.669	HB 2.985	O 10.841
T 1.772	HF 5.250	HH 7.000	HK 3.150	H 0.406
C 19.517	LL 5.512	LM 5.236	AA NPT 1"	d1 A 4

1 2 3 4 5 6 7 8

LOW VOLTAGE

HIGH VOLTAGE

A
B
C
D
E
F



Notes: Downloaded from <http://dealerselectric.com>
Generated for Model #00736EG3E213T-W22

Performed by:

Checked:

Customer:

W22 Super Premium

Three-phase induction motor
Frame 213/5T - IP55

13-SEP-2016

